



A TEREX BRAND

Parts Manual

Serial Number Range

S-60

from SN 653 to 2574

S-65

Part No. 34477

Rev C23

January 2015

Technical Publications

Genie has endeavored to deliver the highest degree of accuracy possible. However, continuous improvement of our products is a Genie policy. Therefore, product specifications are subject to change without notice.

Readers are encouraged to notify Genie of errors and send in suggestions for improvement. All communications will be carefully considered for future printings of this and all other manuals.

Contact Us:

<http://www.genielift.com>

e-mail: awp.techpub@terex.com

Serial Number Information

Genie Industries offers the following Parts Manuals for these models:

Title	Part No
Genie S-60 Parts Manual (before serial number 653)	28780
Genie S-60 and S-65 Parts Manual (from serial number 654 to 2574)	34477
Genie S-60 and S-65 Parts Manual (from serial number 2575 to 9153).....	48411
Genie S-60 and S-65 Parts Manual (from serial number 9154)	77827

Manuals


Genie Industries offers the following support documents for these models:

Title	Part No
Genie S-60 and S-65 Operator's Manual (to SN 1646)	34475
Genie S-60 and S-65 Operator's Manual (from SN 1647 to 9153)	43648
Genie S-60 and S-65 Service Manual (to SN 3089)	34476
Genie Industries Schematic and Diagram Manual	65784
EMI Safety Manual	27581
Manual of Responsibilities ANSI A92.5	31779

Copyright © 1992 by Terex Corporation

34477 Rev C October 2009
First Edition, Third Printing

Genie is a registered trademark of Terex South Dakota, Inc. in the USA and many other countries. "S" is a trademark of Terex South Dakota, Inc.

 Printed on recycled paper



A TEREX BRAND

Model: S-60

Serial number: S60-12345

Model year: 1995 **Manufacture date:** 04/12/95

Electrical schematic number: E0186

Machine unladen weight: 20,736lbs / 9,406kg
Foam Tires add 764 lbs/347 kg to weight

Rated work load (including occupants): 500 lb / 227 kg

Maximum number of platform occupants: 2

Maximum allowable side force : 150 lb / 670 N

Maximum allowable inclination of the chassis:

Air Tires 2 deg / Foam Tires 4.5 deg

Maximum wind speed : 28 mph/ 12.5 m/s

Maximum platform height : 60 ft 2 in/ 18.3 m

Maximum platform reach : 50 ft 4 in/ 15.3 m

Gradeability: 45%

Country of manufacture: USA

This machine complies with:

ANSI A92.5

CAN B.354.4

Terex South Dakota, Inc.

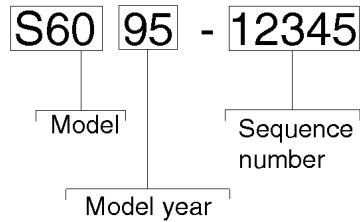
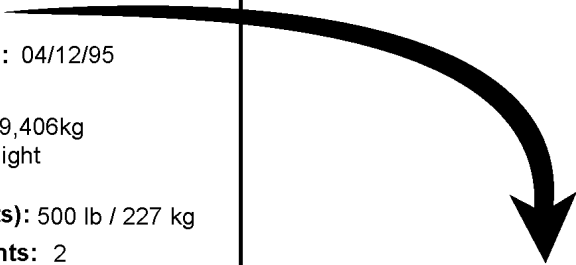
18340 NE 76th Street

Redmond, WA 98052

USA



11111111



Serial label
(located under cover)

Serial number
stamped on chassis

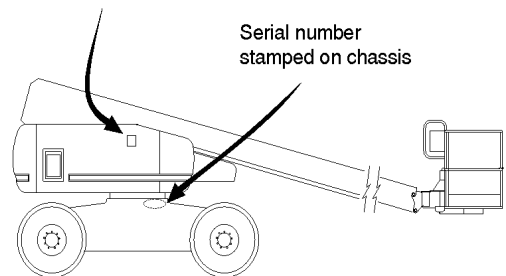


Table of Contents

This manual is updated frequently. If you have a printed manual, you can keep it up to date by downloading new figures from the Genie website at www.genielift.com. For the most up-to-date parts information, visit the Parts Lookup System on the Genie website at www.genielift.com.

How to Read Your Serial Number.....	3
Parts Stocking List.....	7
How to Order Parts.....	8
Service Parts Fax Order Form.....	9

Electronic Version

Click on any page number to view the figure.

100 Decals And Paint

101.1 Decals and Paint - View 1.....	10
102.1 Decals and Paint - View 2.....	12

200 2WD Drive Chassis Components

201.1 2WD Steer Axle Linkage - Oscillating Models.....	14
202.1 2WD Steer Axle Linkage - Non-oscillating Models.....	16
203.1 2WD Steer Axle Wheels and Hubs (to SN 676).....	18
204.1 2WD Steer Axle Wheels and Hubs (from SN 677).....	20
205.1 2WD Drive Manifold.....	22
206.1 2WD Non-steer Axle.....	24
207.1 2WD Oscillation Manifolds.....	28
208.1 2WD Hydraulic Hoses and Fittings - Drive and Steer Systems.....	30
209.1 2WD Hydraulic Hoses and Fittings - Oscillation System.....	34

300 4WD Drive Chassis Components

301.1 4WD Steer Axle Linkage - Oscillating Models.....	36
302.1 4WD Steer Axle Linkage Non-oscillating Models.....	38
303.1 4WD Steer Axle Wheel Drive.....	40
304.1 4WD Drive Manifold (to serial number 21231).....	42
304.2 4WD Drive Manifold (from serial number 21232).....	44
305.1 4WD Non-steer Axle.....	46
306.1 4WD Oscillation Manifolds.....	50
307.1 4WD Hydraulic Hoses and Fittings - Drive and Steer Systems.....	52
308.1 4WD Hydraulic Hoses and Fittings - Oscillation System.....	56

400 Power Plants

401.1 Ford LRG-423 Engine - View 1.....	58
---	----

402.1 Ford LRG-423 Engine - View 2.....	60
403.1 Ford LRG-423 Engine - View 3.....	64
404.1 Deutz F4L 1011 Engine - View 1.....	66
405.1 Deutz F4L 1011 Engine - View 2.....	68
406.1 Deutz F4L 1011 Engine - View 3.....	70

500 Turntable Components

501.1 Hydraulic and Fuel Tanks.....	72
502.1 Function Manifold and Auxiliary Power Unit Installation.....	74
503.1 Function Manifold.....	76
504.1 Turntable Rotation and Hydraulic Rotary Coupler Installation.....	78
505.1 Ground Controls - View 1.....	82
506.1 Ground Controls - View 2.....	84
507.1 Turntable Covers - Engine Side.....	86
508.1 Turntable Covers - Tank Side.....	88
509.1 Hydraulic Hoses and Fittings.....	90

600 Boom Components

601.1 Boom Lift and Master Leveling Cylinder Installation.....	94
602.1 Boom Installation - View 1.....	96
603.1 Boom Installation - View 2.....	98
604.1 Cable Track Installation.....	100
605.1 Slave Cylinder and Platform Rotator.....	102
606.1 Jib Boom and Platform Rotator.....	104
607.1 Hydraulic Hoses and Fittings - S-60 Models.....	106
608.1 Hydraulic Hoses and Fittings - S-65 Models.....	108
609.1 Jib Detail.....	110

700 Platform Components

701.1 Platform Installation.....	112
702.1 Platform Controls - View 1.....	114
703.1 Platform Controls - View 2.....	116
704.1 Joystick Controller - Drive / Steer Functions.....	118
705.1 Joystick Controller - Boom Functions, Single Axis.....	120
706.1 Joystick Controller - Boom Functions, Dual Axis.....	122

800 Accessories

801.1 Alarm and Beacon Package.....	124
802.1 Platform Options.....	126
803.1 Airline to Platform.....	128
804.1 2000 Watt Generator and Spare LPG Tank.....	130
805.1 Hydraulic Hoses and Fittings, 2000 Watt Generator Option.....	132
806.1 Cold Start Package - Ford & Deutz Engines.....	134

Indices

Part Number Index.....136
Part Description Index.....140

Cross References
Fittings Cross Reference.....148

How To Use This List

The service parts listed below have been divided into four priority groups: A, B, C and D. Use the group code and quantities listed to plan enough inventory to support your fleet. The quantities shown are recommended for 1 to 5 machines. Some of these service parts are common to other Genie products.

Group A parts are required to perform maintenance procedures as outlined in the *Genie S-60/65 Service Manual*.

Group B parts solve 75% of machine troubleshooting issues.

Group C parts that affect the safe operation of the machine.

Group D parts do not affect the safe operation of the machine.

Group A

Part No.	Description	Qty.
20293	Filter Element, 10 Micron Fiberglass	5
20880	Filter - Hydraulic, Medium Pressure	5
27916	Element - Air Filter	5
28647	Spark Plug (Gasoline/LPG models)	4
33971	Filter - Fuel (Gasoline/LPG models)	5
28656	Filter - Engine Oil (Gasoline/LPG models)	5
33961	Serpentine Belt (Gasoline/LPG models)	1
33957	Valve - PCV (Gasoline/LPG models)	1
29561	Filter - Engine Oil (Deutz Diesel models)	5
29560	Filter - Fuel (Deutz Diesel models)	5
29554	V-Belt (Deutz Diesel models)	1

Group B

Part No.	Description	Qty.
28750	O-Ring Kit (Services all products)	1
32227	Seal Kit - Steering Cylinders	1
33487	Seal Kit - Master & Slave Cylinders	1
33895	Seal Kit - Boom Lift Cylinder	1
33501	Seal Kit - Upper Extension Cylinder	1
33500	Seal Kit - Lower Extension Cylinder	1
33553	Seal Kit - Jib Boom Cylinder (S-65 models)	1
33894	Seal Kit - Oscillate Cylinder	1
29290	Seal Kit, 36:1 Torque Hub	1
33440	Seal Kit, 73:1 Torque Hub	1
29291	Seal Kit - Mico Brake	1
33444	Seal Kit - Drive Motor (2WD models)	1
29739	Seal Kit - Drive Motor (4WD models)	1
32675	Seal Kit - Drive Motor (4WD models)	1
29739	Seal Kit - Drive Pump	1
31249	Seal Kit - Lift Pump	1
34052	Relay - SPDT, 12 Volt	1
21982	Key - Ignition	5
16397	Switch - Toggle, DPDT	1
13037	Switch - Toggle, SPDT	1
13480	Switch - Toggle, DPDT, 2 Position, Momentary	1
27378	Switch - Toggle, DPDT, 2 Position, Maintained	1
45827	Solenoid - Fuel Shutoff, 12 Volt (Gas/LPG models)	1
33470	Seal Kit - Hydraulic Rotary Coupler	1
33445	Seal Kit - Turntable Rotation Motor	1
27681	Seal Kit - Platform Rotator	1
32681	Seal Kit - 3 Position 4 Way Valve	1

Group B continued

Part No.	Description	Qty.
31616	Relay - Time Delay, 5 second	1
27155	Solenoid, 12 Volt Continuous	1
24018	Circuit Breaker, 15 Amp	1
19274	Relay - SPDT, 12 Volt	1
33954	Wire Set - Spark Plugs	1
33967	Ignition Module (Gasoline/LPG models)	1
45782	Diode, 6A	10
45081	Contact - N.O.	2
29732	Contact - N.C.	2
29073	Solenoid	1

Group C

Part No.	Description	Qty.
34475	Operator's Manual	5
33483	Decal Kit - Safety / Instructional	1
27811	Valve - D01, 10V	1
27801	Valve - Proportional Solenoid, 12V	1
27804	Valve - Differential Sensing, 150 psi (12 bar)	1
33428	Valve - Counterbalance	1
32722	Valve - Counterbalance	1
33438	Valve - Counterbalance	1
33494	Valve - Sequence	1
33495	Valve - Counterbalance	2
33496	Valve - Counterbalance	1
33488	Valve - Counterbalance	1
29066	Valve - Solenoid, 10V	1
30525	Level Sensor	1
19491	Contact - Limit Switch	1
22359	Lever - Limit Switch Arm	1
25050	Limit Switch - with Roller Arm	1
19270	Alarm - Warble Tone	1
32335	Indicator Light	1
20424	Joystick Controller - Drive/Steer Functions	1
24495	Joystick Controller - Boom Functions, Single Axis	1
34419	Joystick Controller - Boom Functions, Dual Axis	1

Group D

Part No.	Description	Qty.
29314	Key - Latch Assembly (Turntable Covers)	2
33510	Lock Plug Assembly (Turntable Covers)	2
29480	7 Piece Cable Track Repair Kit	1

How To Order Parts

Please be prepared with the following information when ordering replacement parts for your Terex or Genie product:

- Machine model number
- Machine serial number
- Part number
- Part description and quantity
- Purchase order number
- "Ship to" address
- Desired method of shipment
- Name and telephone number of the authorized distributor in your area

Use the Service Parts Fax Order Form on the next page and fax your order to our Parts Department.

If you don't know the name of your authorized distributor, or if your area is not currently serviced by an authorized distributor, please call Terex or Genie Industries.

Machine Information

Model

Serial Number

Date of Purchase

Authorized Genie Distributor

Phone Number

North America

Telephone (425) 556-6551
 Toll Free (877) 367-5606 in U.S.A. and Canada
 Fax (425) 556-8659
 Toll Free Fax (888) 274-6192

Europe

Parts Telephone (31) (165) 519 313
 Parts Fax (31) (165) 511 148

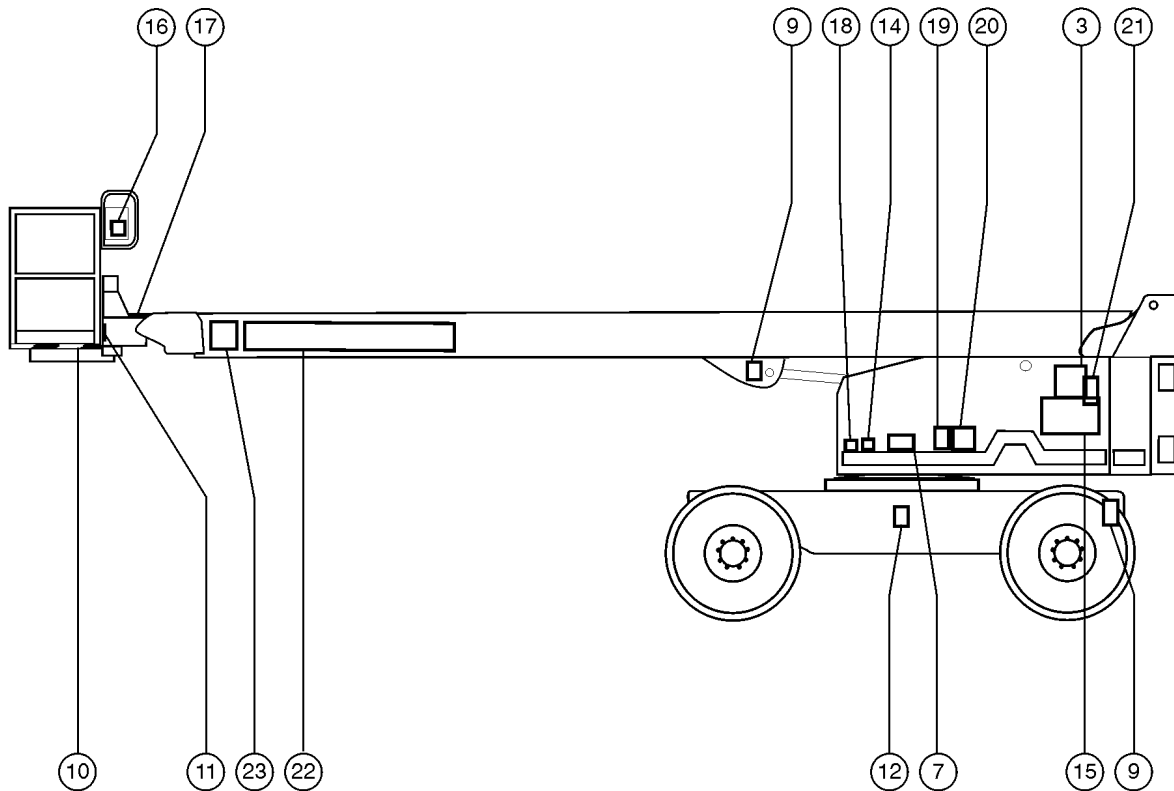
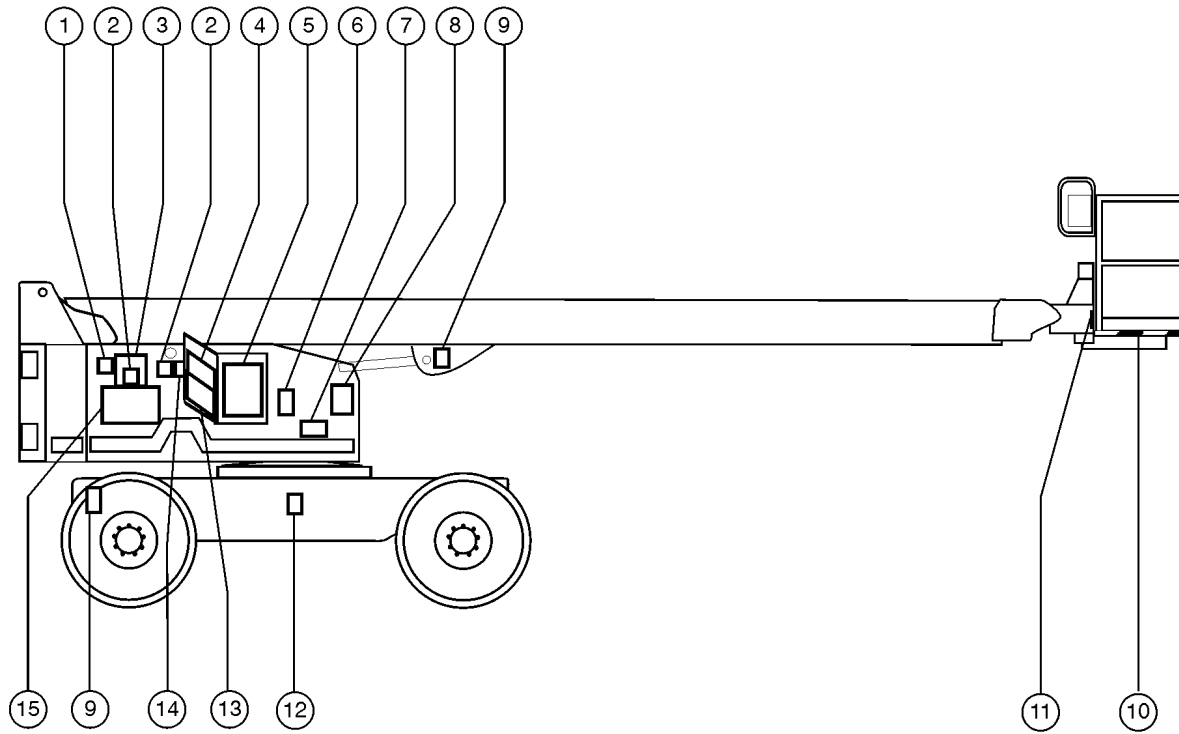
Australia

Parts Telephone (61) (7) 3456 4444
 Parts Fax (61) (7) 3456 4466

South America

Parts Telephone (55) (11) 4082 5600
 Parts Fax (55) (11) 4082 5630

101.1 Decals and Paint - View 1

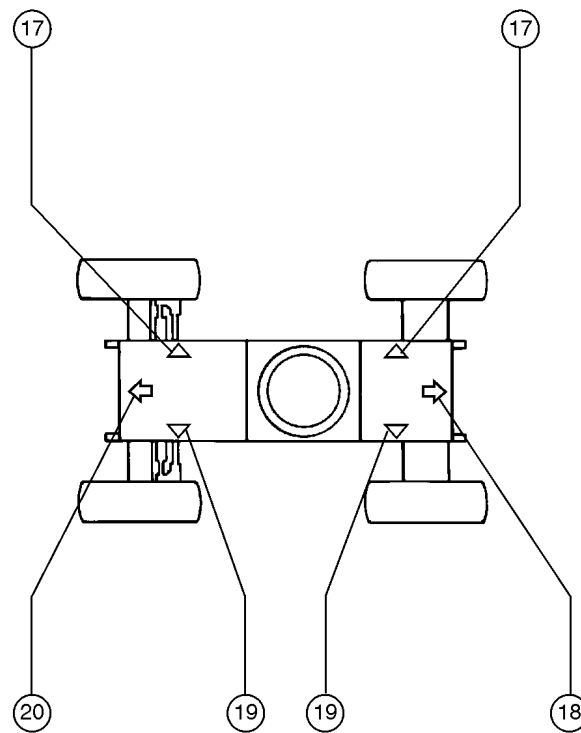
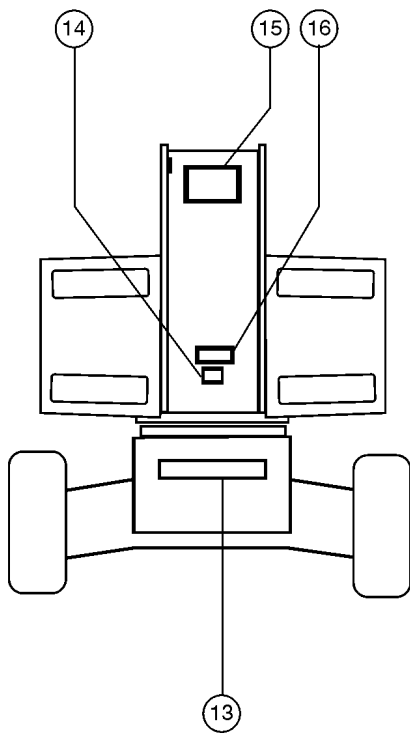
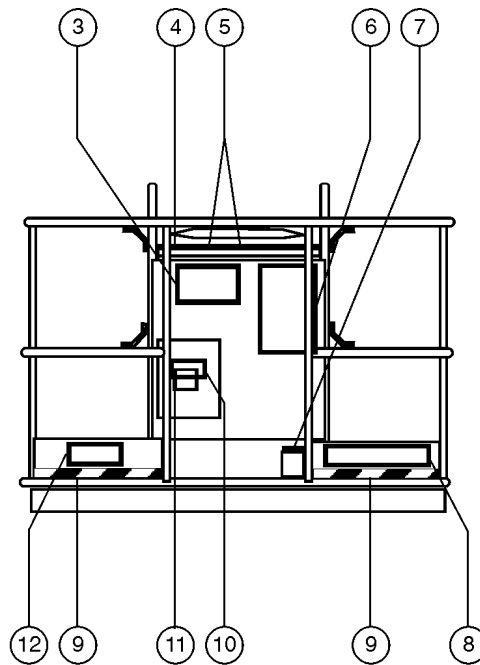
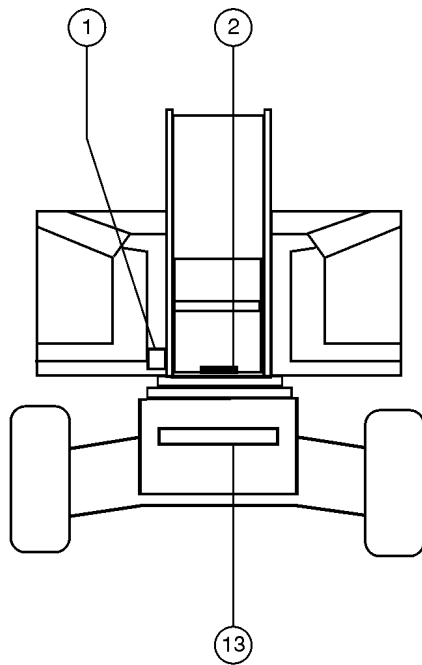


101.1 Decals and Paint - View 1

Item	Part No.	Description	Qty.	Item	Part No.	Description	Qty.
--	1268	PAINT,AEROSOL,GENIE GRAY***		19	28164	DECAL,NOTICE,HAZARDOUS MAT'LS*.....	1
--	1484	PAINT,AEROSOL,BRIGHT BLUE***		20	28175	DECAL,COMPARTMENT ACCESS.....	1
--	32150	PAINT,WET,GENIE BLUE (1 GL)**		21	33956	DECAL,NOTICE, FORD ENG SPEC**.....	1
--	32151	PAINT,WET,GENIE GRAY (1 GL)**		--	33985	DECAL,NOTICE,DEUTZ ENG SPEC**.....	1
--	33483	DECAL KIT,SAFETY/INSTRUCTIONA <i>kit does not include index numbers 2, 3, 8, 10, 15, 16, 18, 21, 22 and 23</i>		22A	33571	DECAL,COSMETIC,S-60,LARGE....	1
--	34478	DECAL KIT,COSMETIC,S60		22B	33573	DECAL,COSMETIC,S-65,LARGE....	1
--	34842	DECAL KIT,COSMETIC,S65		23	33460	DECAL,COSMETIC,STRIPES,WHITE.1	
1	28157	DECAL,USE DEXRON***.....	1				
2	28158	DECAL,LABEL,UNLEADED GAS ONLY.....	2				
--	28159	DECAL,DIESEL.....	2				
3	32744	DECAL,S, BLUE, BLACK.....	2				
4	32702	DECAL,NOTICE,OPERATING INSTRN.....	1				
5	32992	DECAL,GROUND CONTROL PANEL.....	1				
6	25994	DECAL,NOTICE,SHUTOFF VALVES.....	1				
7	27564	DECAL,DANGER,ELEC.HAZ.STAY CLR.....	2				
8	77046	SERIAL # LABEL,MYLAR 4X8***.....	1				
9	28161	DECAL,WARN,CRUSH HAZARD HAND.....	4				
10	33550	TAPE,WARNING,BLK/YEL, 50'***.....	1				
11	28177	DECAL,WARN,CRUSH HAZARD PLAT.....	2				
12	33973	DECAL,NOTICE,TIRE PRESSURE.....	2				
13	97890	DECAL,DANGER,GEN SAFETY RULES.....	1				
14	28171	DECAL,DANGER,NO SMOKING***.....	2				
15	30406	DECAL"GENIE 2 WD" WHITE.....	2				
--	30407	DECAL,GENIE 4 WD, WHITE.....	2				
16	28174	DECAL,POWER TO PLATFORM 230V.....	1				
--	28235	DECAL,POWER TO PLATFORM 115V.....	1				
17	28181	DECAL,WARN,FALL HAZARD.....	1				
18	28160	DECAL,LABEL,LIQUID PROPANE.....	1				



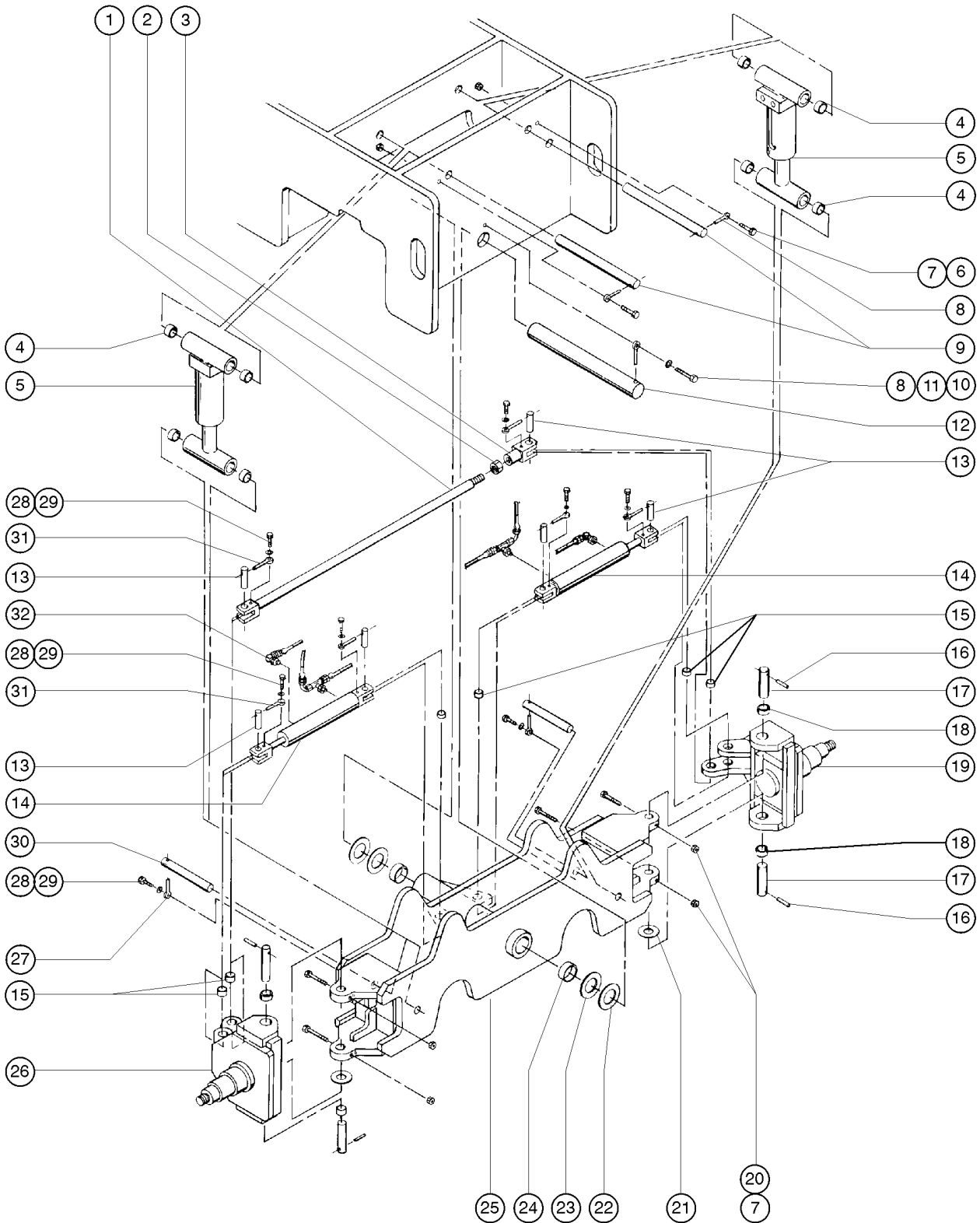
102.1 Decals and Paint - View 2



102.1 Decals and Paint - View 2

Item	Part No.	Description	Qty.	Item	Part No.	Description	Qty.
--	1268	PAINT,AEROSOL,GENIE GRAY***		15B	33882	DECAL,COSMETIC,S-65,SMALL....1	
--	1484	PAINT,AEROSOL,BRIGHT BLUE***		16	27564	DECAL,DANGER,ELEC.HAZ.STAY CLR.....1	
--	32150	PAINT,WET,GENIE BLUE (1 GL)**		17	27207	DECAL,TRIANGLE,YELLOW.....2	
--	32151	PAINT,WET,GENIE GRAY (1 GL)**		18	27205	DECAL,ARROW YELLOW LRG 9".....1	
--	33483	DECAL KIT,SAFETY/INSTRUCTIONA <i>kit does not include index numbers 1, 5, 8, 9, 13 and 15</i>		19	27206	DECAL,TRIANGLE,BLUE.....2	
--	34478	DECAL KIT,COSMETIC,S60		20	27204	DECAL,ARROW BLUE.....1	
--	34842	DECAL KIT,COSMETIC,S65					
1	28174	DECAL,POWER TO PLATFORM 230V.....1					
--	28235	DECAL,POWER TO PLATFORM 115V.....1					
2	28161	DECAL,WARN,CRUSH HAZARD HAND.....1					
3	32702	DECAL,NOTICE,OPERATING INSTRN.....1					
4	32941	DECAL,PLATFORM CTRL PANEL ***.....1					
5	32726	DECAL,OPTION GLOW PLUGS***.....1					
--	32728	DECAL,OPTION GENERATOR***...1					
6	97890	DECAL,DANGER,GEN SAFETY RULES.....1					
7	28165	DECAL,INSTRUCT,FOOTSWITCH OPER.....1					
8	30080	DECAL,NOTICE,MAX LOAD 500 LBS.....1 <i>S-60 models with 8 foot platform and S-65 models</i>					
--	32998	DECAL,NOTICE,MAX LOAD 600 LBS.....1 <i>S-60 models with 6 foot platform only</i>					
9	33550	TAPE,WARNING,BLK/YEL, 50****....1					
10	28236	DECAL,WARN,IMPROPER OPERATION.....1					
11	28176	DECAL,LABEL,MANUAL NOT HERE.....1					
12	97887	DECAL,INSTR,MAX SIDE FRC,ANSI.....1					
13	52968	DECAL,COSMETIC,GENIE BOOM,VERT.....2					
14	31060	DECAL,DANGER DO NOT ALTER SWTC.....1					
15A	33572	DECAL,COSMETIC,S-60,SMALL....1					

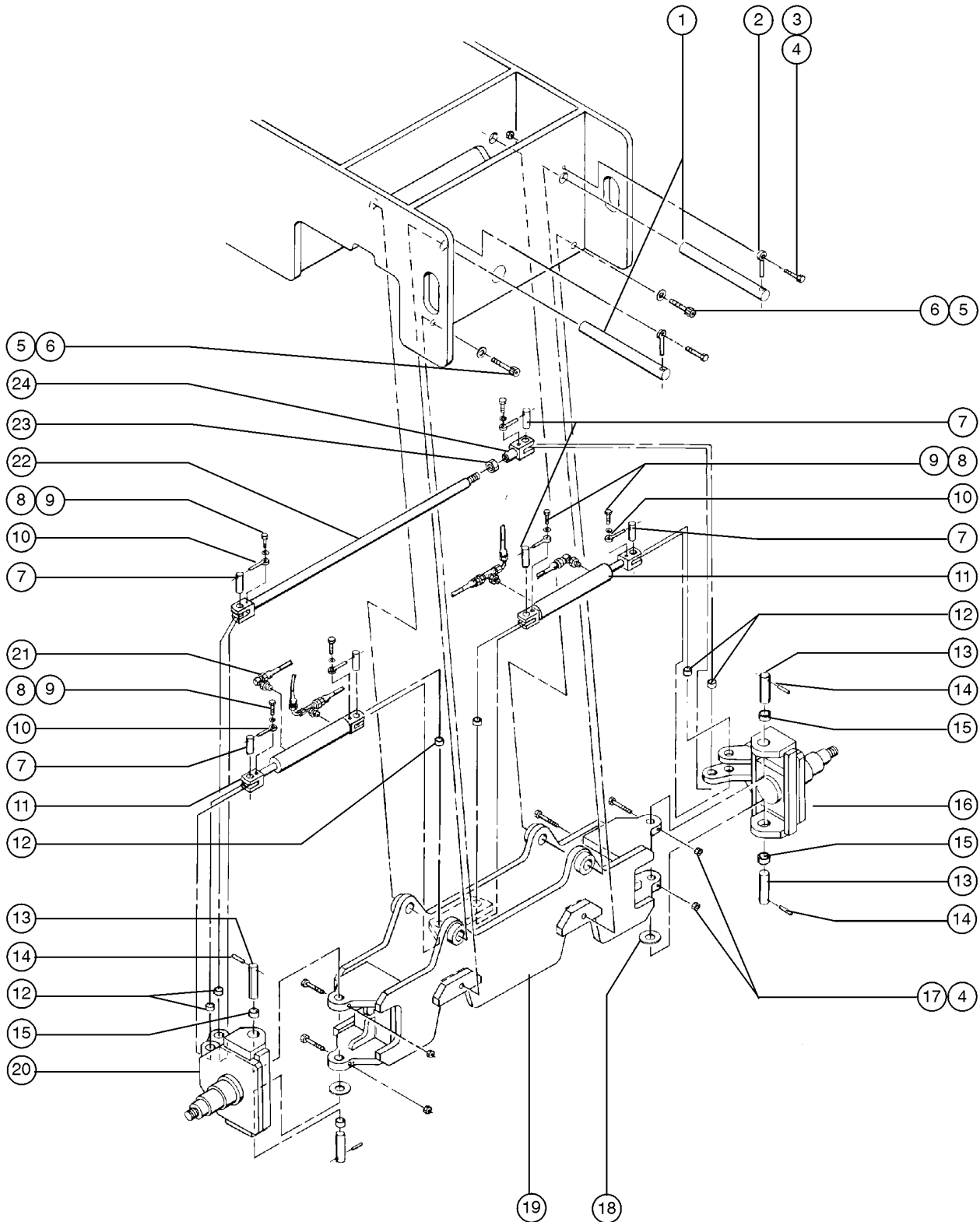
201.1 2WD Steer Axle Linkage - Oscillating Models



201.1 2WD Steer Axle Linkage - Oscillating Models

Item	Part No.	Description	Qty.	Item	Part No.	Description	Qty.
1	34484	TIE ROD WELDMENT SET,S60.....1 <i>to SN 676</i>		20	8220	SCREW,HHC,1/2-13 X 4.....4	
1	63156	TIE ROD WELDMENT,S60*** <i>from SN 677 to 2574</i>		21	45074	WASHER,THRUST,1.5 X 3.5 X .187.....2	
2	27953	NUT,HEX,JAM,1.25-7.....1		22	25436	WASHER,THRUST,2.56 X 4.0 X.18	
3	33899	WELDMENT, ROD END.....1		23	29746	WASHER,FLAT,2.5 X 4 X .062	
4	45072	BEARING,GARLOCK,24DU24.....8		24	27698	BEARING,2.50IDX2.75ODX2.00L....2	
5	63215	CYLINDER, OSCILLATE, S60.....1 <i>includes 4 each index number 4</i>		25	33908	STEER AXLE ASSEMBLY, OSC, S-60.....1 <i>includes 2 each index numbers 15 and 24</i>	
--	33428	VALVE,COUNTERBALANCE.....1		26	33904	YOKE ASSEMBLY, RIGHT SIDE, 2WD.....1 <i>to SN 676; includes 2 each index numbers 15 and 18</i>	
--	33894	SEAL KIT,HYDRAULIC CYLINDER.....1		26	35001	YOKE ASSEMBLY,R.S.,2WD, S-60.....1 <i>from SN 677 to 2574; includes 2 each index numbers 15 and 18</i>	
6	6096	SCREW,HHC,1/2-13 X 2 GR5.....2		27	45226	ROD END,.375 X 3.69.....2	
7	6086	NUT,LP NYLOCK,1/2-13.....6		28	6175	SCREW,HHC,3/8-16 X 1.....8	
8	30418	ROD END,.50 X 4.....3		29	6021	WASHER,LOCK,.375.....8	
9	30731	PIN,PRIM.Boom,16.0 X 1.5 INCH.....2		30	34641	PIN,OSC. AXLE/DRIVE CHASSIS...2	
10	8177	SCREW,HHC,1/2-13 X 1.5.....1		31	25284	ROD END,.375 X 2.25***.....6	
11	6033	WASHER,LOCK,0.5".....1		32		Ref. Hydraulic Hoses & Fittings.....6 <i>refer to sections 208.1 and 209.1</i>	
12	34642	PIN,2.50DIA X 23.38LG,1HOLE.....1					
13	34276	PIN,1.25DIA X 3.37LG,1HOLE.....4 <i>steer cylinder</i>					
13A	30736	PIN,1.50 DIA X 4.76 LG.GES1360...2 <i>tie rod from SN 677</i>					
13A	34276	PIN,1.25DIA X 3.37LG,1HOLE.....2 <i>tie rod to SN 676</i>					
14	88346	CYLINDER,S60/65 STEER***.....2					
--	31078	SEAL KIT,HYDRAULIC CYLINDER***.....2 <i>for cylinder 34420; check stamp on part prior to ordering</i>					
--	88347	SEAL KIT,STEER CYL,S60/65*** <i>for cylinder 88346; check stamp on part prior to ordering</i>					
15	30370	BEARING,1.25IDX1.5ODX1.00L....6					
16	14815	PIN,ROLL,SST,.25 X 2.25.....4					
17	30736	PIN,1.50 DIA X 4.76 LG.GES1360...4					
18	45071	BEARING,1.5IDX1.75ODX1.5L.....4					
19	33905	YOKE ASSEMBLY, LEFT SIDE, 2WD.....1 <i>to SN 676; includes 2 each index numbers 15 and 18</i>					
19	35002	YOKE ASSEMBLY,L.S.,2WD, S-60.....1 <i>from SN 677 to 2574; includes 2 each index numbers 15 and 18</i>					

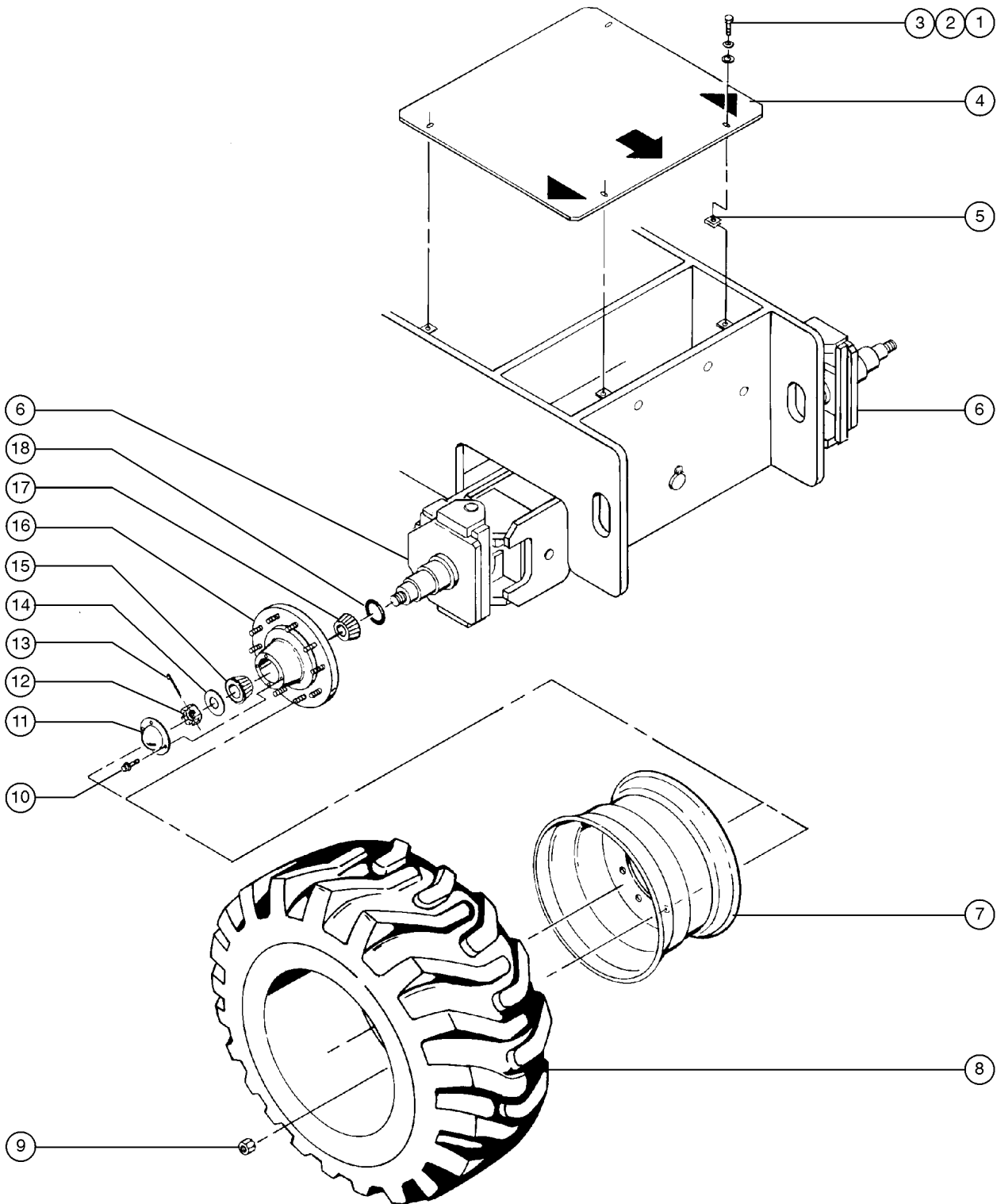
202.1 2WD Steer Axle Linkage - Non-oscillating Models



202.1 2WD Steer Axle Linkage - Non-oscillating Models

Item	Part No.	Description	Qty.	Item	Part No.	Description	Qty.
1	30731	PIN,PRIM.BOOM,16.0 X 1.5 INCH.....	2	--	35001	YOKE ASSEMBLY,R.S.,2WD, S-60.....	1
2	30418	ROD END,.50 X 4.....	2			<i>from SN 677 to 2574; includes 2 each index numbers 12 and 15</i>	
3	6096	SCREW,HHC,1/2-13 X 2 GR5.....	2	21		Ref. Hydraulic Hoses & Fittings.....	1
4	6086	NUT,LP NYLOCK,1/2-13.....	6			<i>refer to sections 208.1 and 209.1</i>	
5	45066	SCREW,SHC,5/8-11 X 2.25.....	2	22	34484	TIE ROD WELDMENT SET,S60.....	1
6	13064	WASHER,FLAT,.625 HARDENED....	2			<i>to SN 676</i>	
7	34276	PIN,1.25DIA X 3.37LG,1HOLE.....	4	22	63156	TIE ROD WELDMENT,S60***	
		<i>steer cylinder</i>				<i>from SN 677 to 2574</i>	
7A	30736	PIN,1.50 DIA X 4.76 LG.GES1360...	2	23	27953	NUT,HEX,JAM,1.25-7.....	1
		<i>tie rod from SN 677 to 2574</i>		24	33899	WELDMENT, ROD END.....	1
7A	34276	PIN,1.25DIA X 3.37LG,1HOLE.....	2				
		<i>tie rod to SN 676</i>					
8	6175	SCREW,HHC,3/8-16 X 1.....	8				
9	6021	WASHER,LOCK,.375.....	8				
10	25284	ROD END,.375 X 2.25***.....	6				
11	88346	CYLINDER,S60/65 STEER***.....	2				
--	31078	SEAL KIT,HYDRAULIC CYLINDER***.....	2				
		<i>for cylinder 34420; check stamp on part prior to ordering</i>					
--	88347	SEAL KIT,STEER CYL,S60/65***					
		<i>for cylinder 88346; check stamp on part prior to ordering</i>					
12	30370	BEARING,1.25IDX1.5ODX1.00L....	6				
13	30736	PIN,1.50 DIA X 4.76 LG.GES1360...	4				
14	14815	PIN,ROLL,SST,.25 X 2.25.....	4				
15	45071	BEARING,1.5IDX1.75ODX1.5L.....	4				
16	33905	YOKE ASSEMBLY, LEFT SIDE, 2WD.....	1				
		<i>to SN 676; includes 2 each index numbers 12 and 15</i>					
16	35002	YOKE ASSEMBLY,L.S.,2WD, S-60.....	1				
		<i>from SN 677 to 2574; includes 2 each index numbers 12 and 15</i>					
17	8220	SCREW,HHC,1/2-13 X 4.....	4				
18	45074	WASHER,THRUST,1.5 X 3.5 X .187.....	2				
19	33943	STEER AXLE ASSY, NON OSC,S-60.....	1				
		<i>includes 2 each index number 12</i>					
20	33904	YOKE ASSEMBLY, RIGHT SIDE, 2WD.....	1				
		<i>to SN 676; includes 2 each index numbers 12 and 15</i>					

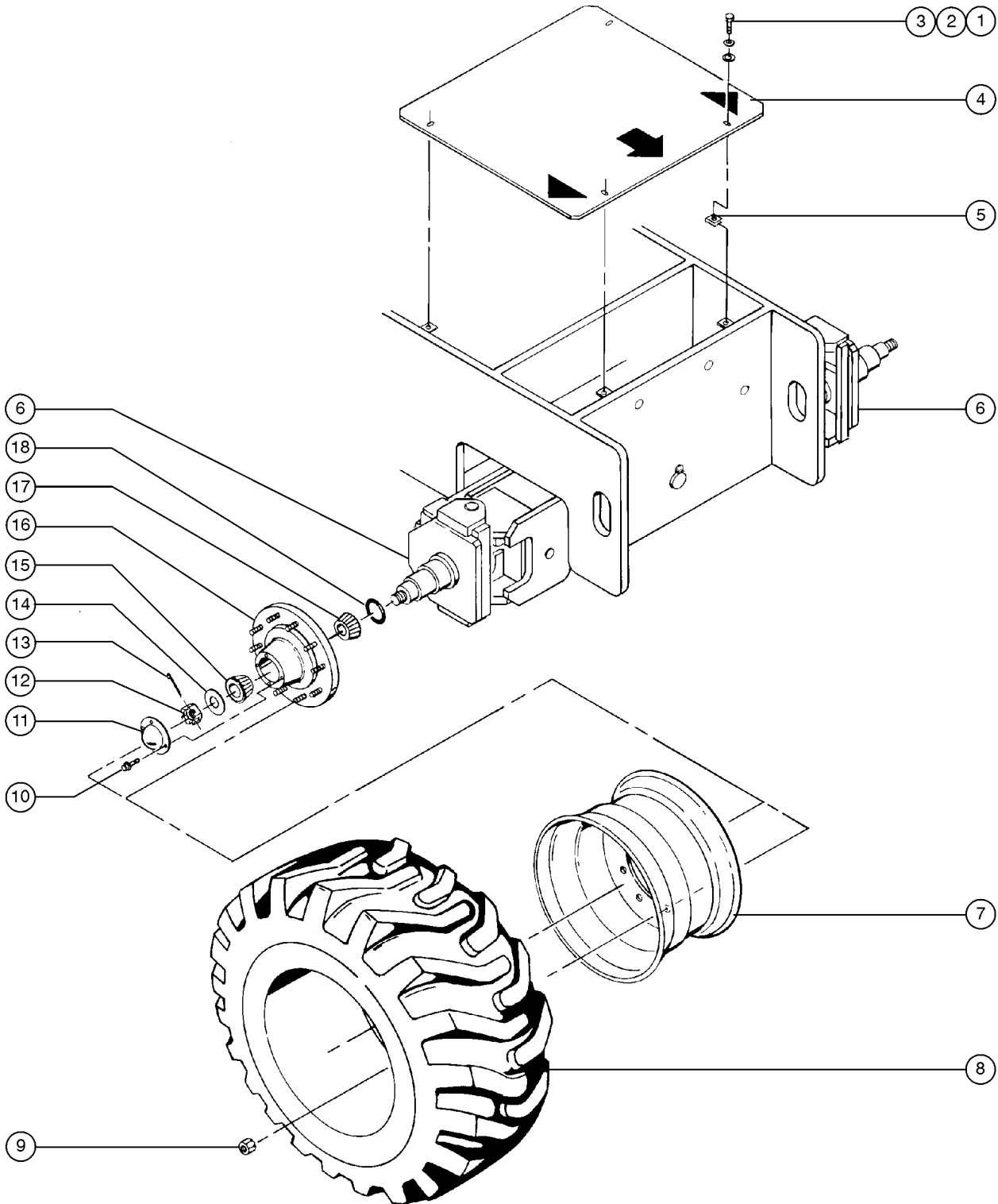
203.1 2WD Steer Axle Wheels and Hubs (to SN 676)



203.1 2WD Steer Axle Wheels and Hubs (to SN 676)

Item	Part No.	Description	Qty.
1	6090	SCREW,HHC,1/4-20 X .75.....	4
2	6356	WASHER,LOCK,.25.....	4
3	6638	WASHER,FLAT,USS,1/4"Y.....	4
4	33448	COVER W/DECALS,DR.CHAS.STR.END.....	1
5	56912	SPRING CLIP,1/4-20,.025-.15X.5.....	4
6		Ref. 2WD Steer Axle..... <i>refer to sections 201.1 and 202.1</i>	4
7A	73259	WHEEL,19.5 X 11.75***..... <i>(replaced 27463, 19.5 x 12.2)</i>	2
7B	73257	TIRE & WHEEL ASSY: AIR..... <i>(air filled, right) (replaced 25767 and 33400)</i>	2
--	73258	TIRE & WHEEL ASSY: AIR..... <i>(air filled, left) (replaced 25768 and 33401)</i>	2
7C	73260	TIRE & WHEEL ASSY,FOAM***..... <i>(foam filled, right) (replaced 25765 and 33402)</i>	2
--	73261	TIRE & WHEEL ASSY,FOAM***..... <i>(foam filled, left) (replaced 25766 and 33403)</i>	2
8	73185	TIRE,38/65D-19.5,16PLY,OTR*..... <i>(by Blackstone 15 x 19.5) (replaced 25766, Goodyear 15 x 19.5 and 33403, Firestone 15 x 19.5)</i>	2
9	54627	NUT,LUG,5/8-18 X 90 DEGREE,Z45.....	20
10	18506	5/16-18 X .75 LG.FLG.LCK.SCREW.....	8
11	53985	CAP, DUST.....	2
12	53989	NUT,CASTLE, 1-1/4 - 12 UNF.....	2
13	34628	PIN,COTTER,.375 X 3.5.....	2
14	34626	WASHER,FLAT,2.0 X 4.5 X .25.....	2
15	73080	BEARING,OUTER CONE.....	2
16	33891	HUB ASSEMBLY WITH RACES.....	2
--	31510	RACE,INNER,30285.....	2
--	31511	RACE,OUTER,30285.....	2
--	53993	KIT,BEARING, Z60.....	2
--	53994	STUD, HUB, 5/8-18 X 2 1/2.....	2
17	53986	INNER BEARING.....	2
18	53991	SEAL, GREASE.....	2

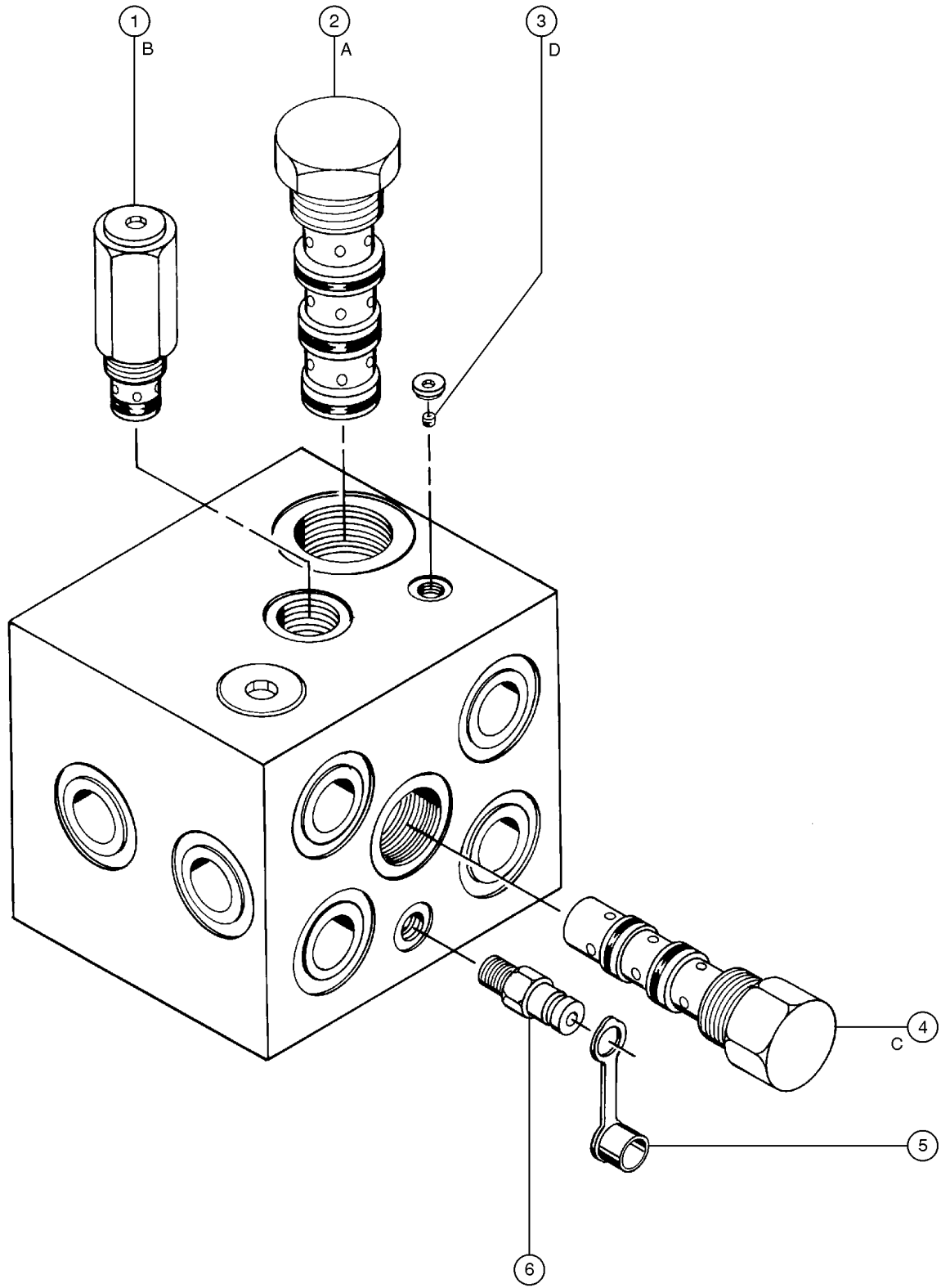
204.1 2WD Steer Axle Wheels and Hubs (from SN 677)



204.1 2WD Steer Axle Wheels and Hubs (from SN 677)

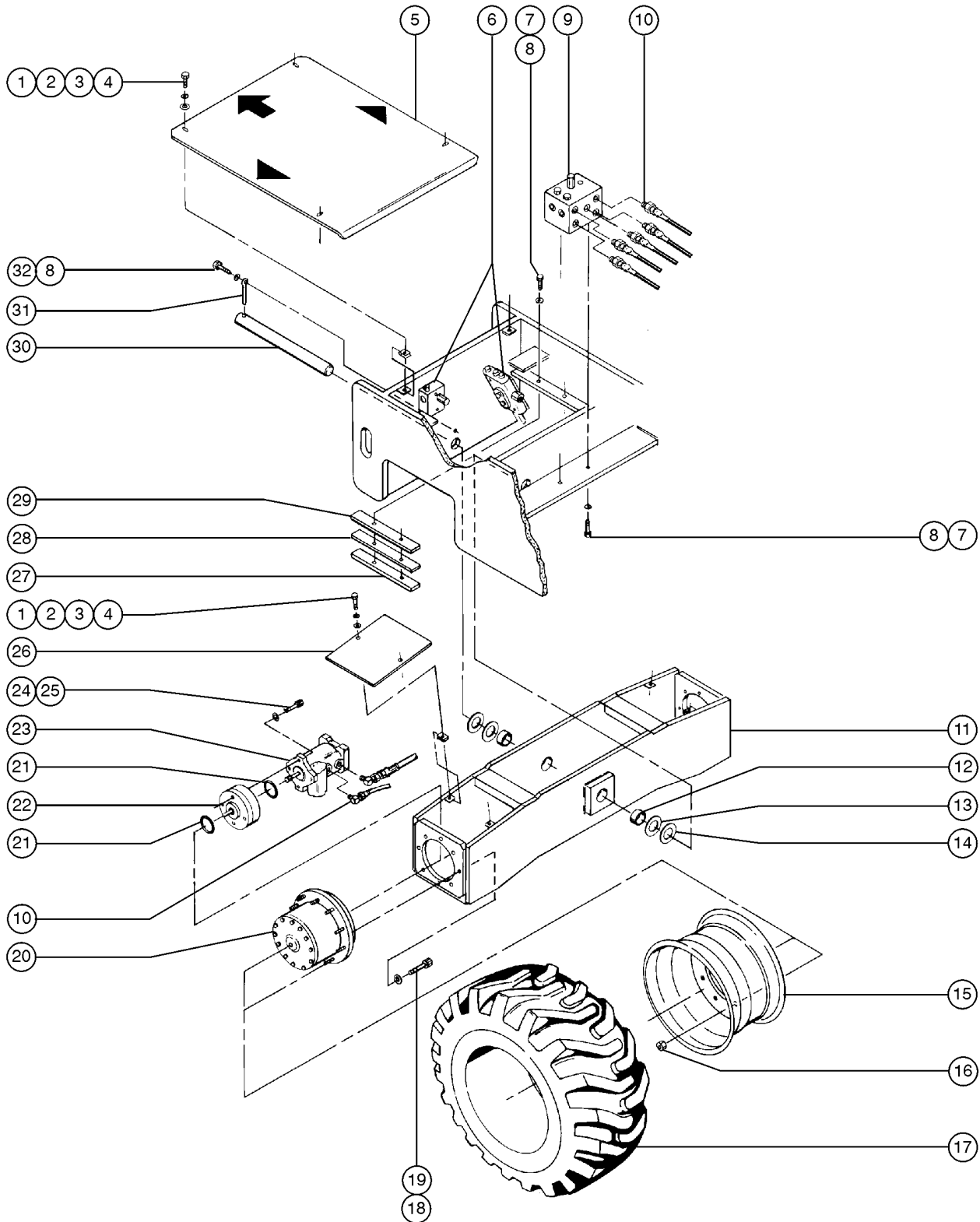
Item	Part No.	Description	Qty.
1	6090	SCREW,HHC,1/4-20 X .75.....	4
2	6356	WASHER,LOCK,.25.....	4
3	6638	WASHER,FLAT,USS,1/4"Y.....	4
4	33448	COVER W/DECALS,DR.CHAS.STR.END.....	1
5	56912	SPRING CLIP,1/4-20,.025-.15X.5.....	4
6		Ref. 2WD Steer Axle..... <i>refer to sections 201.1 and 202.1</i>	4
7	73184	WHEEL, 19.5 X 12.2 ,10 HOLE***...2	2
--	73180	TIRE & WHEEL RH, AIR S60***..... <i>shown</i>	2
--	73181	TIRE & WHEEL LH, AIR S60.....	2
--	73182	TIRE & WHEEL ASSY.RIGHT,FF S60.....	2
--	73183	TIRE & WHEEL ASSY.LEFT,FF S60.....	2
8	73185	TIRE,38/65D-19.5,16PLY,OTR*.....	2
9	34127	NUT,LUG,3/4-16 X 7/8 RADIUS.....	20
10	18506	5/16-18 X .75 LG.FLG.LCK.SCREW.....	8
11	73082	CAP,DUST.....	2
12	34627	NUT,SPINDLE,2.00-12.....	2
13	34628	PIN,COTTER,.375 X 3.5.....	2
14	34626	WASHER,FLAT,2.0 X 4.5 X .25.....	2
15	73080	BEARING,OUTER CONE.....	2
16	73075	HUB ASSY W/RACES.....	2
--	73076	HUB RACE,INNER.....	2
--	73077	HUB RACE, OUTER.....	2
--	73078	STUD,WHEEL,3/4-16.....	2
17	73079	BEARING, INNER CONE.....	2
18	94794	SEAL,GREASE.....	2

205.1 2WD Drive Manifold



Item	Part No.	Description	Qty.
--	25375	SEAL KIT (ALL MANIFOLDS)	
--	33994	PLUG AND CAP KIT-SERVICE,37ø**	
--	34448	TRACTION MANIFOLD,2WD***	
1	31406	VALVE,RELIEF 250 PSI***1 <i>B; Charge pressure circuit</i>	
--	110194	SEAL KIT, VALVE, #10	
2	52726	VALVE,FLOW DIVIDER/COMBINER.....2 <i>A; Charge pressure circuit</i>	
--	84135	SEAL KIT, VALVE	
3	33520	PLUG,ORIFICE,0.070.....2 <i>D; Drive circuit</i>	
4	27761	VALVE,SHUTTLE.....1 <i>C; Drive circuit</i>	
--	84134	SEAL KIT, VALVE	
5	48880	CAP,DIAGNOSTIC NIPPLE.....1	
6	48997	NIPPLE,DIAGNOSTIC,#4 PORT***1 <i>Testing</i>	
--	20224	DIAGNOSTIC FEMALE Q-DSCNT.....1	

206.1 2WD Non-steer Axle



206.1 2WD Non-steer Axle

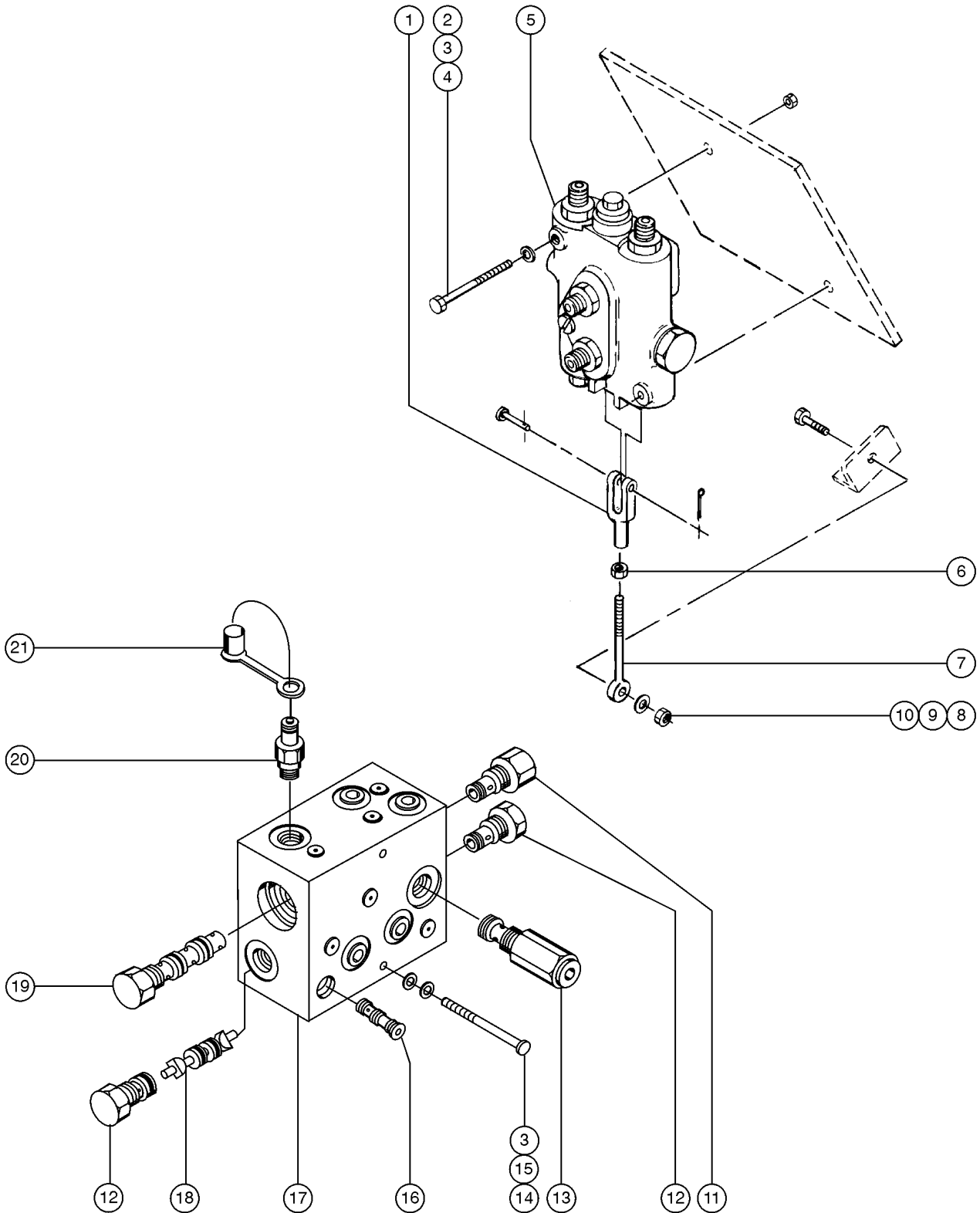
Item	Part No.	Description	Qty.	Item	Part No.	Description	Qty.
1	6090	SCREW,HHC,1/4-20 X .75.....	8	--	58238	BEARING KIT,WHEEL DRIVE,S60***	
2	6356	WASHER,LOCK,.25.....	8	--	58283	BOLT,COVER,WHEEL DRIVE,W3***	
3	6638	WASHER,FLAT,USS,1/4"Y.....	8	--	58999	WASHER,THRUST,(33434)**	
4	56912	SPRING CLIP,1/4-20,.025-.15X.5....	8	--	65802	WASHER,THRUST W3 HUB (53483)	
5	33944	COVR W/DECLS,DR CHAS,NS END.....	1	--	65846	BEARING,THRUST WASHER***	
6		Ref. Oscillation Manifolds..... <i>refer to section 207.1</i>	1	--	65855	SNAP RING, W3/W6 TORQUE HUB*	
7	8177	SCREW,HHC,1/2-13 X 1.5.....	7	--	72288	COUPLER, METAL(53483)	
8	6033	WASHER,LOCK,0.5".....	8	--	83084	SEAL,LIP (33434)***	
9		Ref. 2WD Drive Manifold..... <i>refer to section 205.1</i>	8	21	22811	O-RING,MOTOR TO BRAKE***4	
10		Ref. Hydraulic Hoses & Fittings..... <i>refer to sections 208.1 and 209.1</i>	8	22	73919	BRAKE,1200 INLB***2 <i>includes 2 each index number 21</i>	
11	33945	NON-STEER AXLE ASSEMBLY S60%%..... <i>includes index number 12</i>	1	--	65608	BEARING KIT, AUSCO***	
12	34639	BEARING,2.5"ID X 2.75 X 2.25"L....	2	--	75658	LINING KIT,AUSCO (73918)***	
13	29746	WASHER,FLAT,2.5 X 4 X .062		--	75659	SEAL KIT, AUSCO (73918)	
14	25436	WASHER,THRUST,2.56 X 4.0 X.18		--	29291	SEAL KIT,MICO.....2 <i>for Mico Brake 29422 and 41913</i>	
15	73184	WHEEL, 19.5 X 12.2 ,10 HOLE***...2		--	29292	BRAKE,LINING KIT,MICO.....2 <i>for Mico Brake 29422</i>	
--	73180	TIRE & WHEEL RH, AIR S60***2 <i>shown</i>		--	29293	BEARING KIT,MICO.....2 <i>for Mico Brake 29422 and 41913</i>	
--	73181	TIRE & WHEEL LH, AIR S60.....2		--	41918	LINING KIT,MICO BRAKE <i>for Mico Brake 41913</i>	
--	73182	TIRE & WHEEL ASSY.RIGHT,FF S60.....	2	23	24668	DRIVE MOTOR REAR,2WD/7 DEGREE*2 <i>includes 1 each index number 21</i>	
--	73183	TIRE & WHEEL ASSY.LEFT,FF S60.....	2	--	33444	SEAL KIT,DRIVE MOTOR,(24668).....2	
16	34127	NUT,LUG,3/4-16 X 7/8 RADIUS.....	20	24	7261	SCREW,HHC,1/2-13 X 5 BLACK....4 <i>for Mico Brakes</i>	
17	73185	TIRE,38/65D-19.5,16PLY,OTR*2		--	56680	SCREW,SHC,1/2-13 X 4.50 ZINC <i>for Ausco Brakes</i>	
18	45066	SCREW,SHC,5/8-11 X 2.25.....	16	25	13066	WASHER,FLAT,.5 HARDENED.....4	
19	13064	WASHER,FLAT,.625 HARDENED.....	16	26	34409P-S	COVER,REAR AXLE BLUE.....2	
20	33434	WHEEL DRIVE,W3 73:1***.....	2	27	34217P-S	BAR,AXLE ROTATION STOP,PAINTED.....2 <i>non-oscillating models</i>	
--	147558	KIT,BEARING,TAPERED,OUTER***		--	34218P-S	BAR,AXLE ROTATION STOP,OSC.....2 <i>oscillating models</i>	
--	147559	KIT,BEARING,TAPERED,INNER***		28	34215	SHIM,AXLE ROTATION STOP,12GA	
--	33440	SEAL KIT,TORQUE HUB (34115)***		29	34216	SHIM,AXLE ROTATION STOP,22GA	
--	33441	STUD,WHEEL,3/4-16, (34115)		30	34273	PIN,2.50DIAX21.12LG,1HOLE.....1	
--	33989	COVER, TORQUE HUB		31	30418	ROD END,.50 X 4.....3	
--	33990	O-RING, TORQUE HUB COVER					
--	33991	ACTUATOR,FOR/DISCONNECT ROD					
--	33992	DISCONNECT ROD, TORQUE HUB					

206.1 2WD Non-steer Axle
(continued)

Item	Part No.	Description	Qty.
32	6096	SCREW,HHC,1/2-13 X 2 GR5.....1	

This Page Intentionally Left Blank

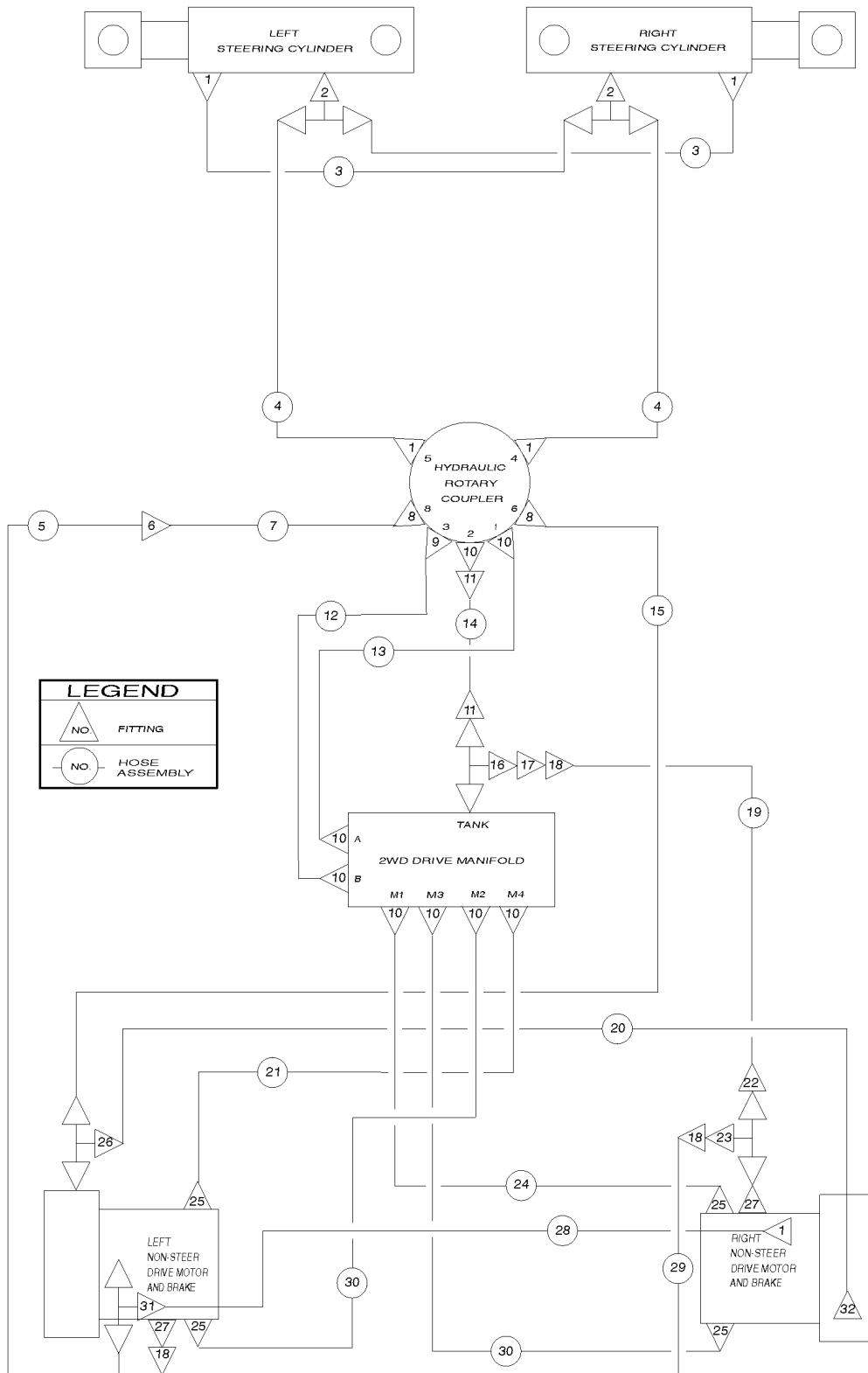
207.1 2WD Oscillation Manifolds



207.1 2WD Oscillation Manifolds

Item	Part No.	Description	Qty.
--	25375	SEAL KIT (ALL MANIFOLDS)	
--	33994	PLUG AND CAP KIT-SERVICE,37ø**	
1	21130	CLEVIS YOKE-1/4-28,PLTD W/PIN.....1 <i>includes clevis and cotter pins</i>	1
2	6884	SCREW,HHC,1/4-20 X 2.5.....2	2
3	6638	WASHER,FLAT,USS,1/4"Y.....4	4
4	6091	NUT,NYLOCK,1/4-20.....4	4
5	30558	VLV,MAN,3 POS/4 WAY,OPEN CTR.....1	1
--	32681	SEAL KIT,CONTROL VALVE.....1	1
6	21496	NUT,HEX,1/4-28.....1	1
7	34858	ROD END,1/4-28 OSC.LINKAGE....1	1
8	5365	NUT,NYLOCK,10-24.....1	1
9	6146	WASHER,FLAT,MS,#10,Y.....1	1
10	6584	SCREW,SHS,10-24 X .625.....1	1
11	27532	VALVE,DIFFERENTIAL SENSING.....1	1
12	32725	VALVE,CHECK (30797).....2	2
13	37050	VALVE,UNLOADER,P.O.....1	1
14	12343	SCREW,HHC,1/4-20 X 3.....2	2
15	6356	WASHER,LOCK,.25.....2	2
16	45483	VALVE,SHUTTLE***.....1	1
17	30797	MANIFOLD,OSCILLATION.....1 <i>includes index numbers 11 through 13 and 16 through 19</i>	1
--	25375	SEAL KIT (ALL MANIFOLDS).....1	1
18	32724	PISTON (30797).....1	1
19	32723	VALVE,SHUTTLE (30797).....1	1
20	48997	NIPPLE,DIAGNOSTIC,#4 PORT***.....1	1
--	20224	DIAGNOSTIC FEMALE Q-DSCNT.....1	1
21	48880	CAP,DIAGNOSTIC NIPPLE.....1	1

208.1 2WD Hydraulic Hoses and Fittings - Drive and Steer Systems



208.1 2WD Hydraulic Hoses and Fittings - Drive and Steer Systems

Item	Part No.	Description	Qty.	Item	Part No.	Description	Qty.
--	33994	PLUG AND CAP KIT-SERVICE,37ø**		13	34595	HOSE ASSEMBLY, 29.75".....1 <i>Hose End - Female JIC Swivel, 12-12 (Weatherhead 43012E-612), Hose End - 90o Female JIC Swivel, 12-12 (Weatherhead 43012E-672) & Hose - 3/4" 4 Spiral High Pressure (Weatherhead H43012)</i>	
1	13120	ELBOW,070220-6-6.....5		14	34837	3/4" PUSH ON HOSE, 22" LONG....1 <i>Hose - 3/4" Push On (Weatherhead H20112)</i>	
2	45705	TEE,BRANCH,070429-6-6.....2		15	34835	HOSE ASSEMBLY, 94".....1 <i>Hose End - Female JIC Swivel, 4-4 (Synflex 3903-04544), Hose End - 90o Female JIC Swivel, 4 JIC (Synflex 3903-04644) & Hose - 1/4" Thermoplastic Medium Pressure (Synflex 3130-04)</i>	
3	34830	HOSE ASSEMBLY, 25".....2 <i>Hose End - Female JIC Swivel, 6-6 (Synflex 3903-06546), Hose End - Female JIC Swivel, 6-6 (Synflex 3903-06546) & Hose - 3/8" Thermoplastic High Pressure (Synflex 3800-06)</i>		16	28456	TEE,RUN,070428-12-12.....1	
4	34829	HOSE ASSEMBLY, 65".....2 <i>Hose End - Female JIC Swivel, 6-6 (Synflex 3903-06546), Hose End - 90o Female JIC Swivel, 6-6 (Synflex 3903-06646) & Hose - 3/8" Thermoplastic High Pressure (Synflex 3800-06)</i>		17	20325	REDUCER,070123-12-8.....1	
5	34833	HOSE ASSEMBLY, 60".....1 <i>Hose End - Female JIC Swivel, 6-4 (Synflex 3903-06544), Hose End - 90o Female JIC Swivel, 6-4 (Synflex 3903-06644) & Hose - 1/4" Thermoplastic Medium Pressure (Synflex 3130-04)</i>		18	20324	HOSE END,BARBED,SWIVEL,-8-8.....3	
6	19142	UNION,070101-6-6.....1		19	34836	HOSE ASSEMBLY, 45".....1 <i>Hose - 1/2" Push On (Weatherhead H20108)</i>	
7	34838	HOSE ASSEMBLY, 60".....1 <i>Hose End - 90o Female JIC Swivel, 4 JIC (Synflex 3903-04644), Hose End - Female JIC Swivel, 6-4 (Synflex 3903-06544) & Hose - 1/4" Thermoplastic Medium Pressure (Synflex 3130-04)</i>		20	34834	HOSE ASSEMBLY, 68".....1 <i>Hose End - Female JIC Swivel, 4-4 (Synflex 3903-04544), Hose End - Female JIC Swivel, 4-4 (Synflex 3903-04544) & Hose - 1/4" Thermoplastic Medium Pressure (Synflex 3130-04)</i>	
8	12340	ELBOW,070220-4-6.....2		21	34827	HOSE ASSEMBLY,49.5".....1 <i>Hose End - Female JIC Swivel, 12-12 (Weatherhead 43012E-612), Hose End - Female JIC Swivel, 12-12 (Weatherhead 43012E-612) & Hose - 3/4" 4 Spiral High Pressure (Weatherhead H43012)</i>	
9	22099	ELBOW,070320-12-12.....1		22	28597	HOSE END,BARBED,SWIVEL,90DEG-8....1	
10	19687	CONNECTOR,070120-12-12.....8		23	21252	TEE,RUN,070432-8.....1	
11	45170	HOSE END,BARBED,SWIVEL,-12-12.....2		24	34826	HOSE ASSEMBLY,35".....1 <i>Hose End - Female JIC Swivel, 12-12 (Weatherhead 43012E-612), Hose End - Female JIC Swivel, 12-12 (Weatherhead 43012E-612) & Hose - 3/4" 4 Spiral High Pressure (Weatherhead H43012)</i>	
12	34594	HOSE ASSEMBLY, 33.5".....1 <i>Hose End - Female JIC Swivel, 12-12 (Weatherhead 43012E-612), Hose End - 90o Female JIC Swivel, Long, 12-12 (Weatherhead 45012E-652) & Hose - 3/4" 4 Spiral High Pressure (Weatherhead H43012)</i>		25	20332	ELBOW,070220-12-16.....4	

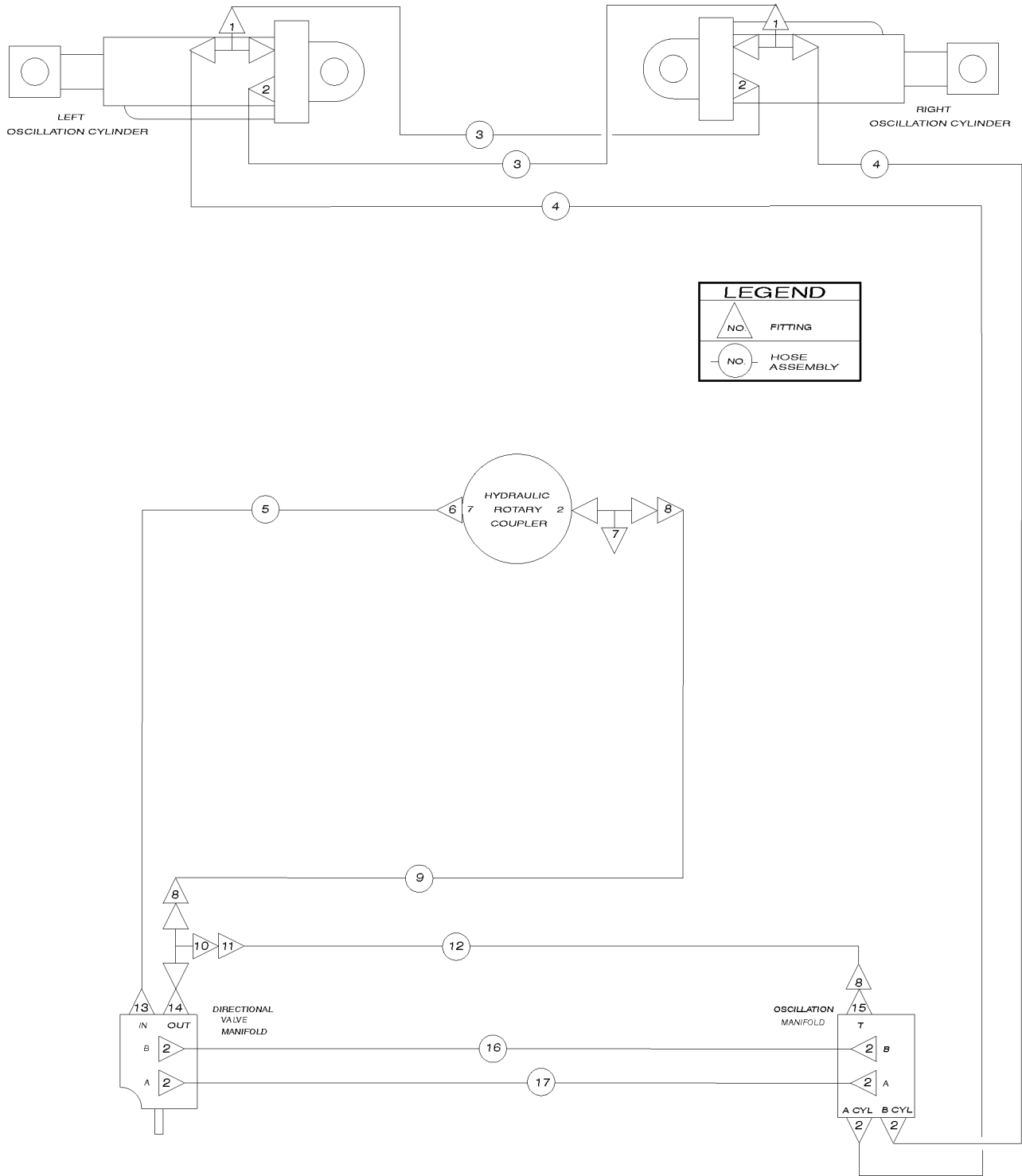
208.1 2WD Hydraulic Hoses and Fittings - Drive and Steer Systems (continued)

Item	Part No.	Description	Qty.
26	23802	TEE,RUN,070428-4-4.....	1
27	25951	ELBOW,070220-8-12.....	2
28	34832	HOSE ASSEMBLY, 60"..... <i>Hose End - Female JIC Swivel, 6-4 (Synflex 3903-06544), Hose End - Female JIC Swivel, 6-4 (Synflex 3903-06544) & Hose - 1/4" Thermoplastic Medium Pressure (Synflex 3130-04)</i>	1
29	34831	HOSE ASSEMBLY, 56"..... <i>Hose - 1/2" Push On (Weatherhead H20108)</i>	1
30	34825	HOSE ASSEMBLY,40.5"..... <i>Hose End - Female JIC Swivel, 12-12 (Weatherhead 43012E-612), Hose End - Female JIC Swivel, 12-12 (Weatherhead 43012E-612) & Hose - 3/4" 4 Spiral High Pressure (Weatherhead H43012)</i>	2
31	13119	TEE,RUN,070428-6-6.....	1
32	13921	ELBOW,070220-4-4.....	1

208.1 2WD Hydraulic Hoses and Fittings - Drive and Steer Systems
(continued)

This Page Intentionally Left Blank

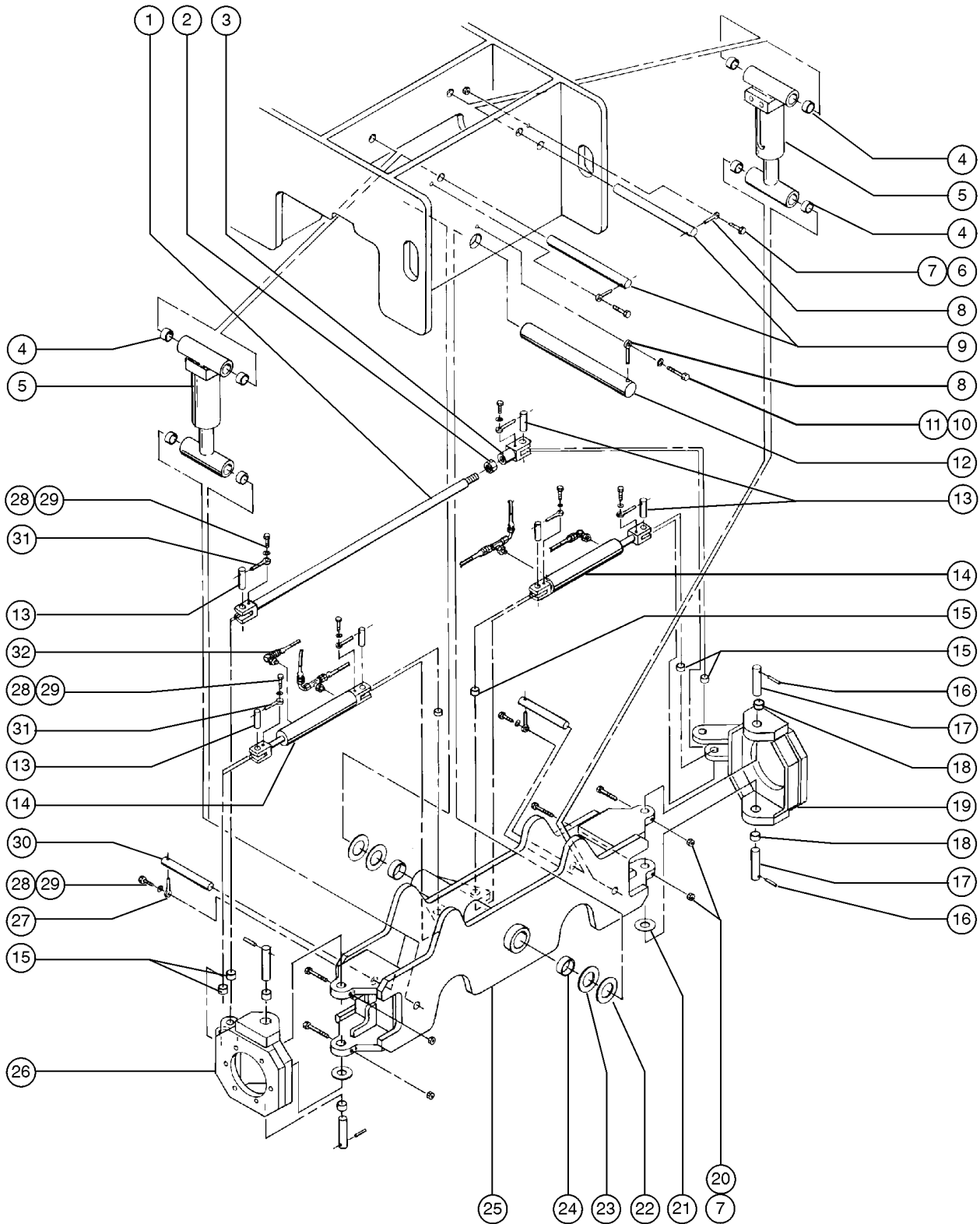
209.1 2WD Hydraulic Hoses and Fittings - Oscillation System



209.1 2WD Hydraulic Hoses and Fittings - Oscillation System

Item	Part No.	Description	Qty.	Item	Part No.	Description	Qty.
--	33994	PLUG AND CAP KIT-SERVICE,37ø**		16	34815	Hose Assembly - Components: @ 19.3 inches (49 cm).....1 Hose End - Female JIC Swivel, 6-6 (Synflex 3903-06546), Hose End - 90° Female JIC Swivel, 6-6 (Synflex 3903-06646) & Hose - 3/8" Thermoplastic High Pressure (Synflex 3800-06)	
1	13119	TEE,RUN,070428-6-6.....	2				
2	45412	CONNECTOR,070120-6-6.....	8				
3	34817	Hose Assembly - Components: @ 15.3 inches (39 cm).....2 Hose End - Female JIC Swivel, 6-6 (Synflex 3903-06546), Hose End - 90° Female JIC Swivel, 6-6 (Synflex 3903-06646) & Hose - 3/8" Thermoplastic High Pressure (Synflex 3800-06)		17	34816	Hose Assembly - Components: @ 14.3 inches (36.4 cm).....1 Hose End - Female JIC Swivel, 6-6 (Synflex 3903-06546), Hose End - 90° Female JIC Swivel, 6-6 (Synflex 3903-06646) & Hose - 3/8" Thermoplastic High Pressure (Synflex 3800-06)	
4	34818	Hose Assembly - Components: @ 135 inches (344 cm).....2 Hose End - Female JIC Swivel, 6-6 (Synflex 3903-06546), Hose End - 90° Female JIC Swivel, 6-6 (Synflex 3903-06646) & Hose - 3/8" Thermoplastic High Pressure (Synflex 3800-06)					
5	34819	Hose Assembly - Components: @ 69.3 inches (176 cm).....1 Hose End - Female JIC Swivel, 6-6 (Synflex 3903-06546), Hose End - 90° Female JIC Swivel, 6-6 (Synflex 3903-06646) & Hose - 3/8" Thermoplastic High Pressure (Synflex 3800-06)					
6	13120	ELBOW,070220-6-6.....	1				
7	20334	TEE,RUN,070428-8.....	1				
8	28597	HOSE END,BARBED,SWIVEL,90DEG-8...3					
9	34820	Hose - Component: @ 67 inches (170 cm).....1 Hose - 1/2" Push On (Weatherhead H20108)					
10	21252	TEE,RUN,070432-8.....	1				
11	20324	HOSE END,BARBED,SWIVEL,-8-8.....	1				
12	34814	Hose - Component: @ 13.5 inches (34.3 cm).....1 Hose - 1/2" Push On (Weatherhead H20108)					
13	18687	CONNECTOR,070120-6-8.....	1				
14	45703	CONNECTOR,070120-8-8.....	1				
15	20923	CONNECTOR,070120-8-6.....	1				

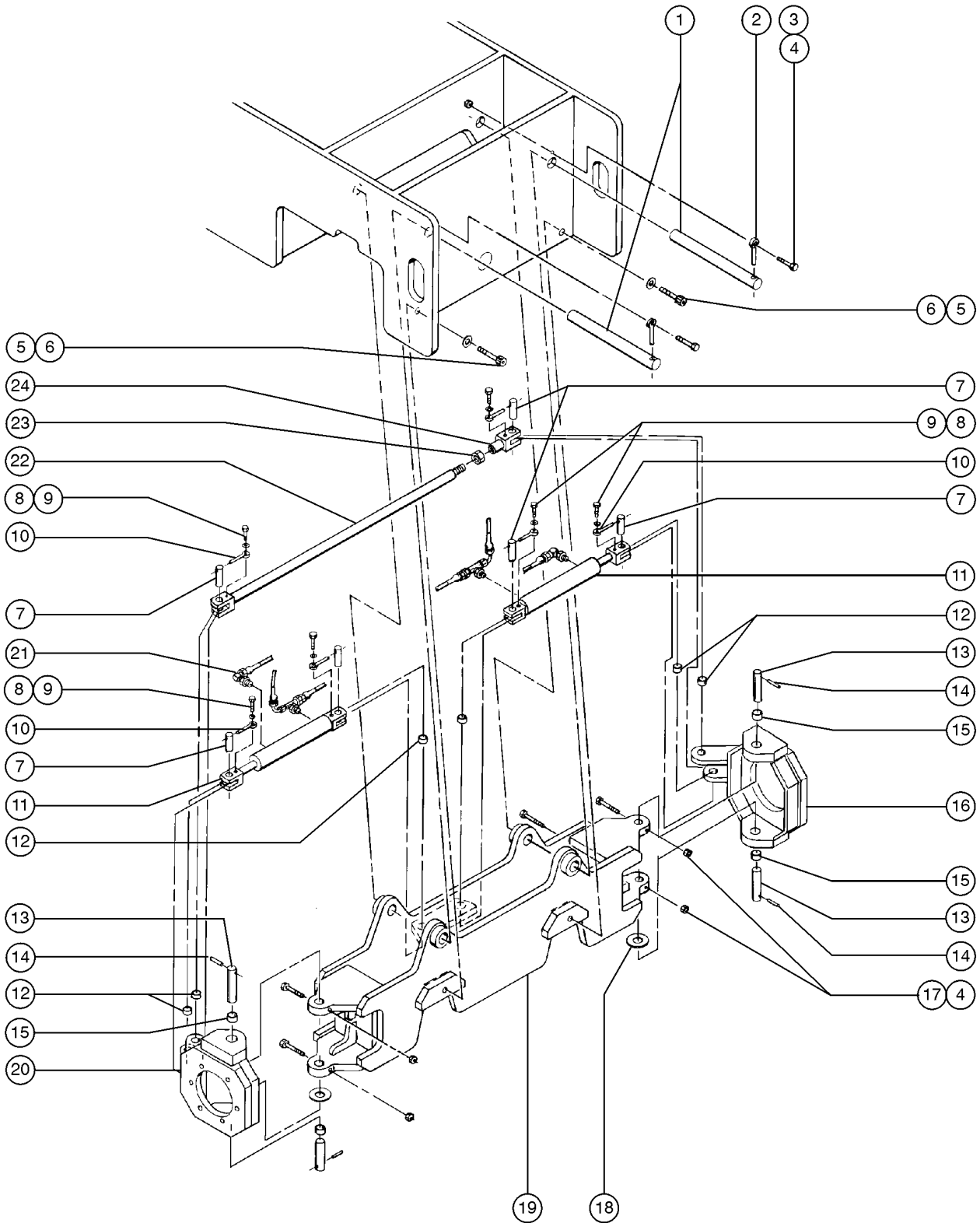
301.1 4WD Steer Axle Linkage - Oscillating Models



301.1 4WD Steer Axle Linkage - Oscillating Models

Item	Part No.	Description	Qty.	Item	Part No.	Description	Qty.
1	34484	TIE ROD WELDMENT SET,S60.....	1	26	33941	YOKE ASSEMBLY, RIGHT SIDE 4WD.....	1 <i>includes 2 each index numbers 15 and 18</i>
2	27953	NUT,HEX,JAM,1.25-7.....	1	27	45226	ROD END,.375 X 3.69.....	2
3	33899	WELDMENT, ROD END.....	1	28	6175	SCREW,HHC,3/8-16 X 1.....	8
4	45072	BEARING,GARLOCK,24DU24.....	8	29	6021	WASHER,LOCK,.375.....	8
5	63215	CYLINDER, OSCILLATE, S60..... <i>includes 4 each index number 4</i>	1	30	34641	PIN,OSC. AXLE/DRIVE CHASSIS...2	
--	33428	VALVE,COUNTERBALANCE.....	1	31	25284	ROD END,.375 X 2.25***.....	6
--	33894	SEAL KIT,HYDRAULIC CYLINDER.....	1	32		Ref. Hydraulic Hoses & Fittings..... <i>refer to sections 307.1 and 308.1</i>	6
6	6096	SCREW,HHC,1/2-13 X 2 GR5.....	3				
7	6086	NUT,LP NYLOCK,1/2-13.....	6				
8	30418	ROD END,.50 X 4.....	3				
9	30731	PIN,PRIM.Boom,16.0 X 1.5 INCH.....	2				
10	8177	SCREW,HHC,1/2-13 X 1.5.....	1				
11	6033	WASHER,LOCK,0.5".....	1				
12	34642	PIN,2.50DIA X 23.38LG,1HOLE.....	1				
13	34276	PIN,1.25DIA X 3.37LG,1HOLE.....	6				
14	88346	CYLINDER,S60/65 STEER***.....	2				
--	31078	SEAL KIT,HYDRAULIC CYLINDER***..... <i>for cylinder 34420; check stamp on part prior to ordering</i>	2				
--	88347	SEAL KIT,STEER CYL,S60/65*** <i>for cylinder 88346; check stamp on part prior to ordering</i>					
15	30370	BEARING,1.25IDX1.5ODX1.00L....	6				
16	14815	PIN,ROLL,SST,.25 X 2.25.....	4				
17	30736	PIN,1.50 DIA X 4.76 LG.GES1360..	4				
18	45071	BEARING,1.5IDX1.75ODX1.5L.....	4				
19	33942	YOKE ASSEMBLY, LEFT SIDE 4WD.....	1 <i>includes 2 each index numbers 15 and 18</i>				
20	8220	SCREW,HHC,1/2-13 X 4.....	4				
21	45074	WASHER,THRUST,1.5 X 3.5 X .187.....	2				
22	25436	WASHER,THRUST,2.56 X 4.0 X.18					
23	29746	WASHER,FLAT,2.5 X 4 X .062					
24	27698	BEARING,2.50IDX2.75ODX2.00L....	2				
25	33908	STEER AXLE ASSEMBLY, OSC, S-60..... <i>includes 2 each index numbers 15 and 24</i>	1				

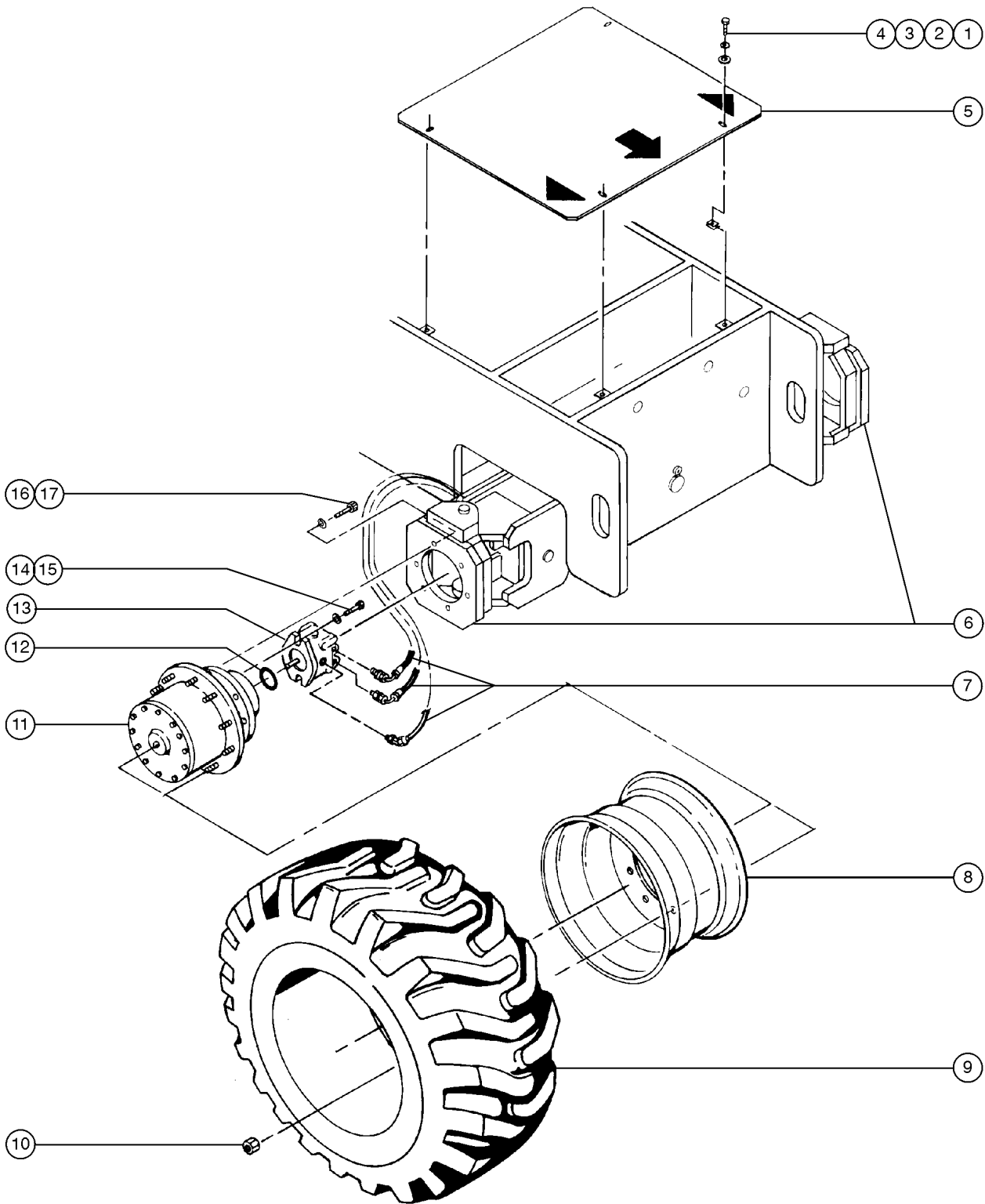
302.1 4WD Steer Axle Linkage Non-oscillating Models



302.1 4WD Steer Axle Linkage Non-oscillating Models

Item	Part No.	Description	Qty.
1	30731	PIN,PRIM.BOOM,16.0 X 1.5 INCH.....	2
2	30418	ROD END,.50 X 4.....	2
3	6096	SCREW,HHC,1/2-13 X 2 GR5.....	2
4	6086	NUT,LP NYLOCK,1/2-13.....	6
5	45066	SCREW,SHC,5/8-11 X 2.25.....	2
6	13064	WASHER,FLAT,.625 HARDENED....	2
7	34276	PIN,1.25DIA X 3.37LG,1HOLE.....	6
8	6175	SCREW,HHC,3/8-16 X 1.....	8
9	6021	WASHER,LOCK,.375.....	8
10	25284	ROD END,.375 X 2.25***.....	6
11	88346	CYLINDER,S60/65 STEER***.....	2
--	31078	SEAL KIT,HYDRAULIC CYLINDER***..... <i>for cylinder 34420; check stamp on part prior to ordering</i>	2
--	88347	SEAL KIT,STEER CYL,S60/65*** <i>for cylinder 88346; check stamp on part prior to ordering</i>	
12	30370	BEARING,1.25IDX1.5ODX1.00L....	6
13	30736	PIN,1.50 DIA X 4.76 LG.GES1360...4	
14	14815	PIN,ROLL,SST,.25 X 2.25.....	4
15	45071	BEARING,1.5IDX1.75ODX1.5L.....	4
16	33942	YOKE ASSEMBLY, LEFT SIDE 4WD..... <i>includes 2 each index numbers 12 and 15</i>	1
17	8220	SCREW,HHC,1/2-13 X 4.....	4
18	45074	WASHER,THRUST,1.5 X 3.5 X .187.....	2
19	33943	STEER AXLE ASSY, NON OSC,S-60..... <i>includes 2 each index number 12</i>	1
20	33941	YOKE ASSEMBLY, RIGHT SIDE 4WD..... <i>includes 2 each index numbers 12 and 15</i>	1
21		Ref. Hydraulic Hoses & Fittings..... <i>refer to sections 307.1 and 308.1</i>	1
22	34484	TIE ROD WELDMENT SET,S60.....	1
23	27953	NUT,HEX,JAM,1.25-7.....	1
24	33899	WELDMENT, ROD END.....	1

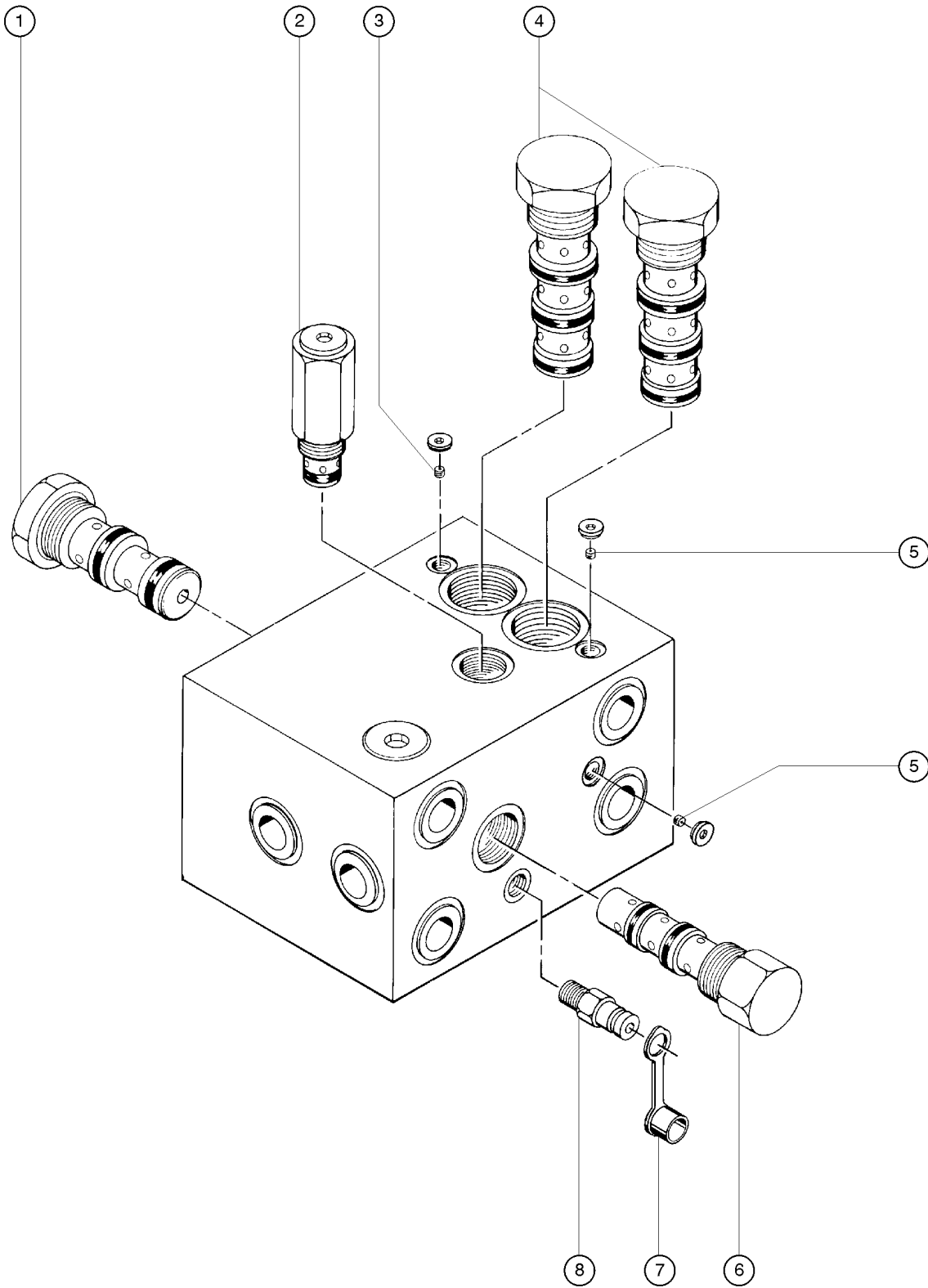
303.1 4WD Steer Axle Wheel Drive



303.1 4WD Steer Axle Wheel Drive

Item	Part No.	Description	Qty.	Item	Part No.	Description	Qty.
1	6090	SCREW,HHC,1/4-20 X .75.....	4	15	13066	WASHER,FLAT,.5 HARDENED.....	4
2	6356	WASHER,LOCK,.25.....	4	16	45066	SCREW,SHC,5/8-11 X 2.25.....	16
3	6638	WASHER,FLAT,USS,1/4"Y.....	4	17	13064	WASHER,FLAT,.625 HARDENED.....	16
4	56912	SPRING CLIP,1/4-20,.025-.15X.5....	4				
5	33448	COVER W/DECALS,DR.CHAS.STR.END.....	1				
6		Ref. 4WD Steer Axle..... <i>refer to sections 301.1 and 302.1</i>	1				
7		Ref. Hydraulic Hoses & Fittings..... <i>refer to sections 307.1 and 308.1</i>	1				
8	73184	WHEEL, 19.5 X 12.2 ,10 HOLE***...2					
--	73180	TIRE & WHEEL RH, AIR S60***..... <i>shown</i>	2				
--	73181	TIRE & WHEEL LH, AIR S60.....	2				
--	73182	TIRE & WHEEL ASSY.RIGHT,FF S60.....	2				
--	73183	TIRE & WHEEL ASSY.LEFT,FF S60.....	2				
9	73185	TIRE,38/65D-19.5,16PLY,OTR*.....	2				
10	34127	NUT,LUG,3/4-16 X 7/8 RADIUS.....	20				
11	33434	WHEEL DRIVE,W3 73:1***.....	2				
--	147558	KIT,BEARING,TAPERED,OUTER***					
--	147559	KIT,BEARING,TAPERED,INNER***					
--	33440	SEAL KIT,TORQUE HUB (34115)***					
--	33441	STUD,WHEEL,3/4-16, (34115)					
--	33989	COVER, TORQUE HUB					
--	33990	O-RING, TORQUE HUB COVER					
--	33991	ACTUATOR,FOR/DISCONNECT ROD					
--	33992	DISCONNECT ROD, TORQUE HUB					
--	58238	BEARING KIT,WHEEL DRIVE,S60***					
--	58283	BOLT,COVER,WHEEL DRIVE,W3***					
--	58999	WASHER,THRUST,(33434)**					
--	65802	WASHER,THRUST W3 HUB (53483)					
--	65846	BEARING,THRUST WASHER***					
--	65855	SNAP RING, W3/W6 TORQUE HUB*					
--	72288	COUPLER, METAL(53483)					
12	33433	O-RING,MOTOR TORQUE HUB 34115.....	2				
13	139962	MOTOR,WHEEL,25CC FIXED***.....	2				
--	32675	SEAL KIT,SUNSTRAND.....	2				
14	33987	SCREW,HHC,1/2-13 X 1, GR 5.....	4				

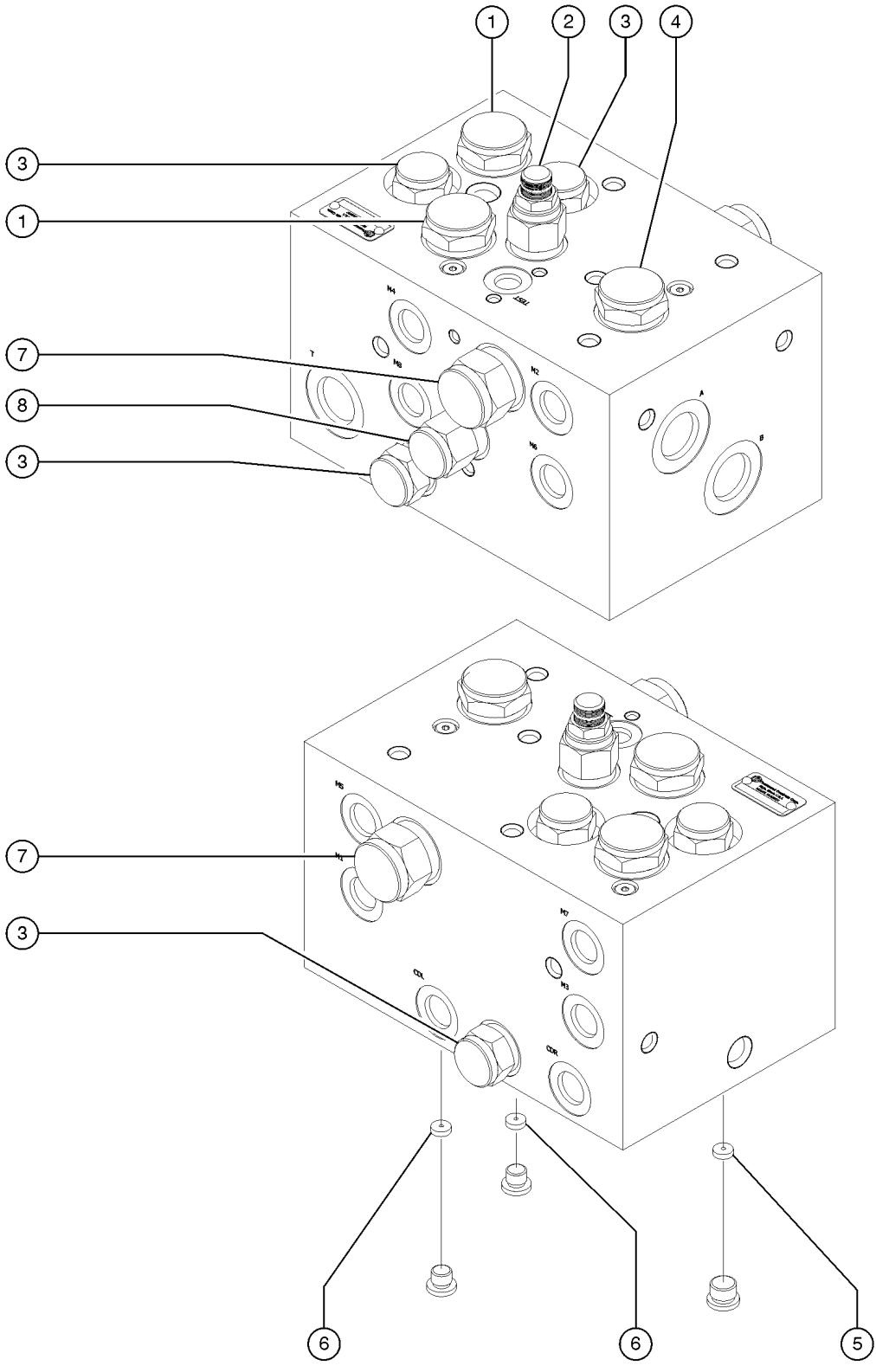
304.1 4WD Drive Manifold (to serial number 21231)



304.1 4WD Drive Manifold (to serial number 21231)

Item	Part No.	Description	Qty.
--		Ref. MANIFOLD, TRACTION, 4WD*** (before ordering, verify part numbers stamped on manifold)	
--	25375	SEAL KIT (ALL MANIFOLDS)	
--	33994	PLUG AND CAP KIT-SERVICE, 37ø**	
1	33521	VALVE, FLOW DIVIDER/COMBINER.....1 (for 88784)	1
--	84135	SEAL KIT, VALVE	
2	31406	VALVE, RELIEF 250 PSI***1 (for 88784)	1
--	110194	SEAL KIT, VALVE, #10	
3	29737	PLUG, ORIFICE, 0.052 INCH.....1 (for 88784)	1
4	52726	VALVE, FLOW DIVIDER/COMBINER.....2	2
--	84135	SEAL KIT, VALVE	
5	33520	PLUG, ORIFICE, 0.070.....2 (for 88784)	2
6	27761	VALVE, SHUTTLE.....1 (for 88784)	1
--	84134	SEAL KIT, VALVE	
7	48880	CAP, DIAGNOSTIC NIPPLE.....1 (for 88784)	1
8	48997	NIPPLE, DIAGNOSTIC, #4 PORT***1 (for 88784)	1
--	20224	DIAGNOSTIC FEMALE Q-DSCNT.....1	1

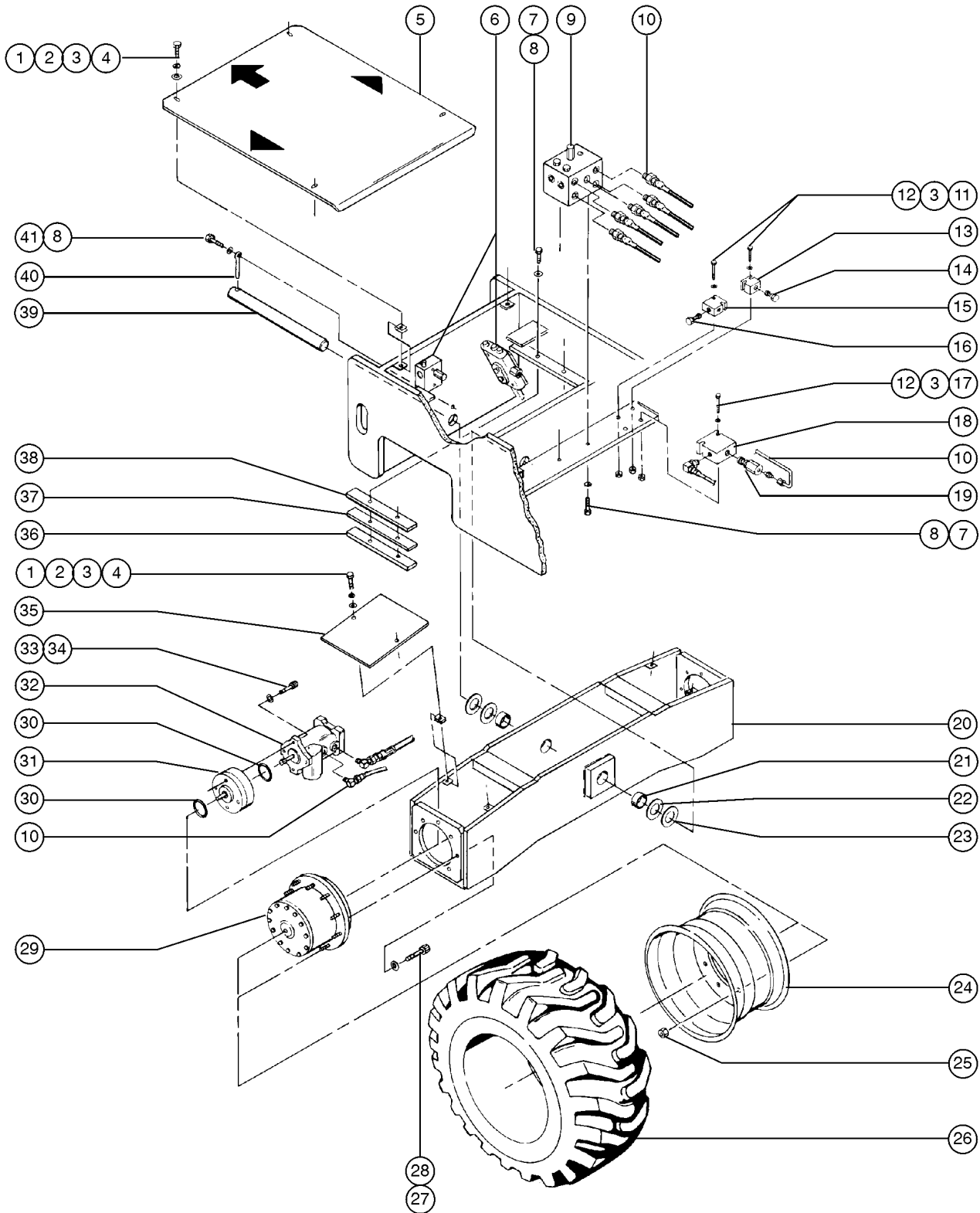
304.2 4WD Drive Manifold (from serial number 21232)



304.2 4WD Drive Manifold (from serial number 21232)

Item	Part No.	Description	Qty.
--	139712	MANIFOLD,TRACTION,4WD*** <i>(replaced 88784 at SN 21232)</i>	
1	139717	VALVE, FLOW DIVIDE/COMB,24GPM.....	2
--	139512	SEAL KIT, VALVE	
2	139718	VALVE, RELIEF, 280PSI.....	1
--	139528	SEAL KIT, VALVE	
3	139527	VALVE, CHECK, 5PSI.....	3
4	139508	VALVE, FLOW DIVIDE/COMBINE 1:1.....	1
5	139719	ORFICE, 0.040"..... <i>(equalizes pressure on both sides of flow divider/combiner valve 3)</i>	1
6	139719	ORFICE, 0.040"..... <i>(equalizes pressure on both sides of flow divider/combiner valve 1)</i>	2
7	139716	VALVE, CHECK.....	2
--	139727	SEAL KIT, VALVE	
8	139715	VALVE, SHUTTLE, FIXED.....	1
--	139726	SEAL KIT, VALVE	

305.1 4WD Non-steer Axle



305.1 4WD Non-steer Axle

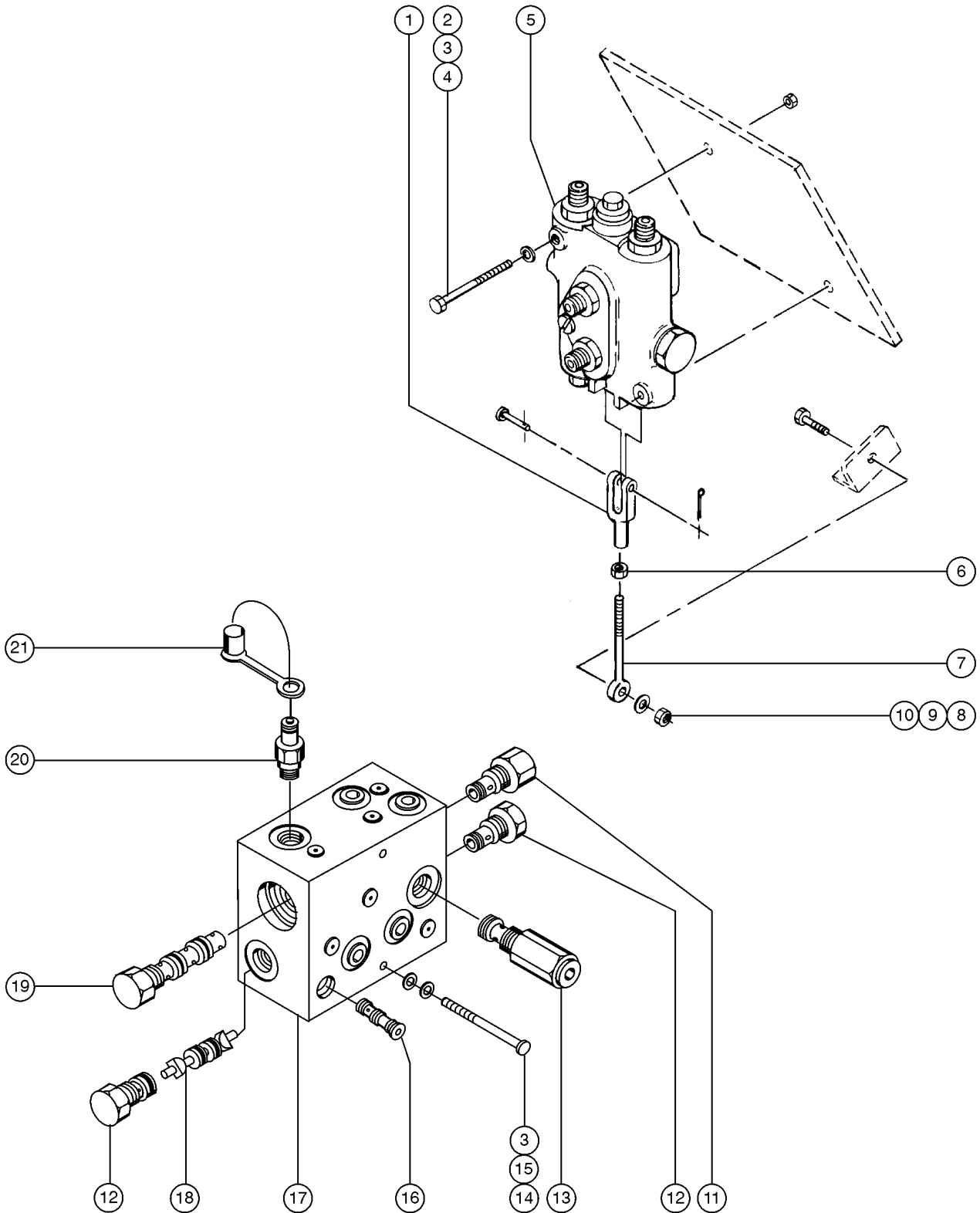
Item	Part No.	Description	Qty.	Item	Part No.	Description	Qty.
1	6090	SCREW,HHC,1/4-20 X .75.....	8	26	73185	TIRE,38/65D-19.5,16PLY,OTR*.....	2
2	6356	WASHER,LOCK,.25.....	8	27	45066	SCREW,SHC,5/8-11 X 2.25.....	16
3	6638	WASHER,FLAT,USS,1/4"Y.....	14	28	13064	WASHER,FLAT,.625 HARDENED.....	16
4	56912	SPRING CLIP,1/4-20,.025-.15X.5....	6	29	33434	WHEEL DRIVE,W3 73:1***.....	2
5	33944	COVR W/DECLS,DR CHAS,NS END.....	1	--	147558	KIT,BEARING,TAPERED,OUTER***	
6		Ref. Oscillation Manifolds..... <i>refer to section 306.1</i>	1	--	147559	KIT,BEARING,TAPERED,INNER***	
7	8177	SCREW,HHC,1/2-13 X 1.5.....	7	--	33434	WHEEL DRIVE,W3 73:1***.....	2
8	6033	WASHER,LOCK,0.5".....	8	--	33440	SEAL KIT,TORQUE HUB (34115)***	
9		Ref. 4WD Drive Manifold..... <i>refer to section 304.1</i>	8	--	33441	STUD,WHEEL,3/4-16, (34115)	
10		Ref. Hydraulic Hoses & Fittings..... <i>refer to sections 307.1 and 308.1</i>	8	--	33989	COVER, TORQUE HUB	
11	8179	SCREW,HHC,1/4-20 X 2.25.....	4	--	33990	O-RING, TORQUE HUB COVER	
12	6091	NUT,NYLOCK,1/4-20.....	6	--	33991	ACTUATOR,FOR/DISCONNECT ROD	
13	34544	VALVE,CHECK..... <i>includes index number 14</i>	1	--	33992	DISCONNECT ROD, TORQUE HUB	
14	27759	VALVE,CHECK.....	1	--	58238	BEARING KIT,WHEEL DRIVE,S60***	
15	34623	VALVE,PILOT TO CLOSED CHECK..... <i>includes index number 16</i>	1	--	58283	BOLT,COVER,WHEEL DRIVE,W3***	
16	33562	VALVE,CHECK,PILOT OPERATED.....	1	--	58999	WASHER,THRUST,(33434)**	
17	12343	SCREW,HHC,1/4-20 X 3.....	2	--	65802	WASHER,THRUST W3 HUB (53483)	
18	34547	VALVE,DIRECTIONAL,2POS.2WAY.1 <i>includes index number 19</i>	1	--	65846	BEARING,THRUST WASHER***	
19	33563	VALVE,DIRECTIONAL,2 POS 2 WAY.....	1	--	65855	SNAP RING, W3/W6 TORQUE HUB*	
20	33945	NON-STEER AXLE ASSEMBLY S60%%..... <i>includes index number 21</i>	1	--	72288	COUPLER, METAL(53483)	
21	34639	BEARING,2.5"ID X 2.75 X 2.25"L....	2	30	22811	O-RING,MOTOR TO BRAKE***.....	4
22	29746	WASHER,FLAT,2.5 X 4 X .062		31	73919	BRAKE,1200 INLB***..... <i>includes 2 each index number 30</i>	2
23	25436	WASHER,THRUST,2.56 X 4.0 X.18		--	29291	SEAL KIT,MICO..... <i>for Mico Brake 29422 and 41913</i>	2
24	73184	WHEEL, 19.5 X 12.2 ,10 HOLE***...2		--	29292	BRAKE,LINING KIT,MICO..... <i>for Mico Brake 29422</i>	2
--	73180	TIRE & WHEEL RH, AIR S60***..... <i>shown</i>	2	--	29293	BEARING KIT,MICO..... <i>for Mico Brake 29422 and 41913</i>	2
--	73181	TIRE & WHEEL LH, AIR S60.....	2	--	65608	BEARING KIT, AUSCO***	
--	73182	TIRE & WHEEL ASSY.RIGHT,FF S60		--	75658	LINING KIT,AUSCO (73918)***	
--	73183	TIRE & WHEEL ASSY.LEFT,FF S60.....	2	--	75659	SEAL KIT, AUSCO (73918)	
25	34127	NUT,LUG,3/4-16 X 7/8 RADIUS.....	20	32	24667	DRVE MOTOR REAR,4WD/1DEGREE..... <i>includes 1 each index number 30</i>	2
				--	49897	GASKET,TURTLE,DRV MTR,EDC	
				--	65865	SEAL KIT, SUNSTRAND.....	2
				--	83081	COVER, SERVO (24667)	
				33	7261	SCREW,HHC,1/2-13 X 5 BLACK....4 <i>for Mico Brakes</i>	4

305.1 4WD Non-steer Axle
 (continued)

Item	Part No.	Description	Qty.
--	56680	SCREW,SHC,1/2-13 X 4.50 ZINC <i>for Ausco Brake</i>	
34	13066	WASHER,FLAT,.5 HARDENED.....	4
35	34409P-S	COVER,REAR AXLE BLUE.....	2
36	34217P-S	BAR,AXLE ROTATION STOP,PAINTED..... <i>oscillating models</i>	2
--	34218P-S	BAR,AXLE ROTATION STOP,OSC..... <i>non-oscillating models</i>	2
37	34215	SHIM,AXLE ROTATION STOP,12GA	
38	34216	SHIM,AXLE ROTATION STOP,22GA	
39	34273	PIN,2.50DIAX21.12LG,1HOLE.....	1
40	30418	ROD END,.50 X 4.....	3
41	6096	SCREW,HHC,1/2-13 X 2 GR5.....	1

This Page Intentionally Left Blank

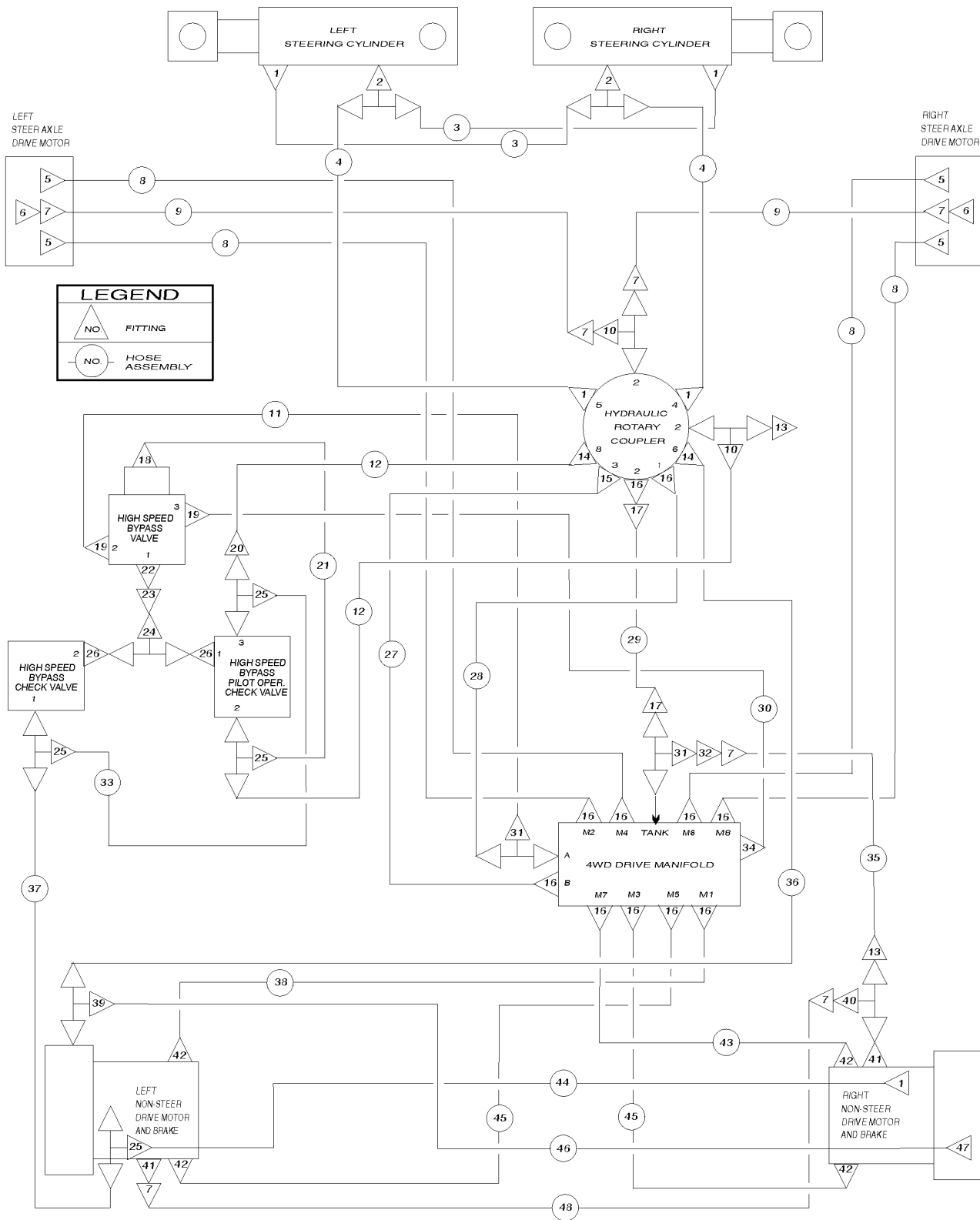
306.1 4WD Oscillation Manifolds



306.1 4WD Oscillation Manifolds

Item	Part No.	Description	Qty.
--	33994	PLUG AND CAP KIT-SERVICE,37ø**	
1	21130	CLEVIS YOKE-1/4-28,PLTD W/PIN.....1 <i>includes clevis and cotter pins</i>	1
2	6884	SCREW,HHC,1/4-20 X 2.5.....2	2
3	6638	WASHER,FLAT,USS,1/4"Y.....4	4
4	6091	NUT,NYLOCK,1/4-20.....4	4
5	30558	VLV,MAN,3 POS/4 WAY,OPEN CTR.....1	1
--	32681	SEAL KIT,CONTROL VALVE.....1	1
6	21496	NUT,HEX,1/4-28.....1	1
7	34858	ROD END,1/4-28 OSC.LINKAGE.....1	1
8	5365	NUT,NYLOCK,10-24.....1	1
9	6146	WASHER,FLAT,MS,#10,Y.....1	1
10	6584	SCREW,SHS,10-24 X .625.....1	1
11	27532	VALVE,DIFFERENTIAL SENSING.....1	1
12	32725	VALVE,CHECK (30797).....2	2
13	37050	VALVE,UNLOADER,P.O.....1	1
14	12343	SCREW,HHC,1/4-20 X 3.....2	2
15	6356	WASHER,LOCK,.25.....2	2
16	45483	VALVE,SHUTTLE***.....1	1
17	30797	MANIFOLD,OSCILLATION.....1 <i>includes index numbers 11 through 13 and 16 through 19</i>	1
--	25375	SEAL KIT (ALL MANIFOLDS).....1	1
18	32724	PISTON (30797).....1	1
19	32723	VALVE,SHUTTLE (30797).....1	1
20	48997	NIPPLE,DIAGNOSTIC,#4 PORT***.....1	1
--	20224	DIAGNOSTIC FEMALE Q-DSCNT.....1	1
21	48880	CAP,DIAGNOSTIC NIPPLE.....1	1

307.1 4WD Hydraulic Hoses and Fittings - Drive and Steer Systems



307.1 4WD Hydraulic Hoses and Fittings - Drive and Steer Systems

Item	Part No.	Description	Qty.	Item	Part No.	Description	Qty.
--	33994	PLUG AND CAP KIT-SERVICE,37ø**		13	28597	HOSE	
1	13120	ELBOW,070220-6-6.....	5			END,BARBED,SWIVEL,90DEG-8....	2
2	45705	TEE,BRANCH,070429-6-6.....	2	14	12340	ELBOW,070220-4-6.....	2
3	34830	HOSE ASSEMBLY, 25".....	2	15	22099	ELBOW,070320-12-12.....	1
		<i>Hose End - Female JIC Swivel, 6-6 (Synflex 3903-06546), Hose End - Female JIC Swivel, 6-6 (Synflex 3903-06546) & Hose - 3/8" Thermoplastic High Pressure (Synflex 3800-06)</i>		16	19687	CONNECTOR,070120-12-12.....	11
4	34829	HOSE ASSEMBLY, 65".....	2	17	45170	HOSE	
		<i>Hose End - Female JIC Swivel, 6-6 (Synflex 3903-06546), Hose End - 90o Female JIC Swivel, 6-6 (Synflex 3903-06646) & Hose - 3/8" Thermoplastic High Pressure (Synflex 3800-06)</i>				END,BARBED,SWIVEL,-12-12.....	2
5	28454	CONNECTOR,070120-12-10.....	4	18	12342	CONNECTOR,070120-6-4.....	1
6	45349	ELBOW,070320-8-8.....	2	19	20925	ELBOW,070220-12-12.....	2
7	20324	HOSE		20	45878	ELBOW,070321-6-6.....	1
		END,BARBED,SWIVEL,-8-8.....	7	21	34633	FLARE TUBE ASSY,BYPASS #1....	1
8	34822	HOSE ASSEMBLY, 126".....	4	22	27431	CONNECTOR,070120-8-12.....	1
		<i>Hose End - Female JIC Swivel, 12-12 (Weatherhead 43012E-612), Hose End - 90o Female JIC Swivel, Long, 12-12 (Weatherhead 45012E-652) & Hose - 3/4" 4 Spiral High Pressure (Weatherhead H43012)</i>		23	45361	REDUCER,070123-8-6.....	1
9	34824	HOSE ASSEMBLY, 94".....	2	24	45704	TEE,BRANCH,070433-6-6.....	1
		<i>Hose - 1/2" Push On (Weatherhead H20108)</i>		25	13119	TEE,RUN,070428-6-6.....	4
10	20334	TEE,RUN,070428-8.....	2	26	30392	ADAPTER,6402-6-6.....	2
11	34920	Hose Assembly - Components: @ 29.2 inches (74.3 cm).....	1	27	34594	HOSE ASSEMBLY, 33.5".....	1
		<i>Hose End - Female JIC Swivel, 12-12 (Weatherhead 43012E-612), Hose End - 90o Female JIC Swivel, 12-12 (Weatherhead 43012E-672) & Hose - 3/4" 4 Spiral High Pressure (Weatherhead H43012)</i>				<i>Hose End - Female JIC Swivel, 12-12 (Weatherhead 43012E-612), Hose End - 90o Female JIC Swivel, Long, 12-12 (Weatherhead 45012E-652) & Hose - 3/4" 4 Spiral High Pressure (Weatherhead H43012)</i>	
12	34823	Hose Assembly - Components: @ 43.4 inches (110.3 cm).....	2	28	34595	HOSE ASSEMBLY, 29.75".....	1
		<i>Hose End - 90o Female JIC Swivel, 6-6 (Synflex 3903-06646), Hose End - Female JIC Swivel, 8-6 (Synflex 3903-06548) & Hose - 3/8" Thermoplastic Medium Pressure (Synflex 3130-06)</i>				<i>Hose End - Female JIC Swivel, 12-12 (Weatherhead 43012E-612), Hose End - 90o Female JIC Swivel, 12-12 (Weatherhead 43012E-672) & Hose - 3/4" 4 Spiral High Pressure (Weatherhead H43012)</i>	
				29	34837	3/4" PUSH ON HOSE, 22" LONG....	1
						<i>Hose - 3/4" Push On (Weatherhead H20112)</i>	
				30	34921	Hose Assembly - Components: @ 35.3 inches (89.5 cm).....	1
						<i>Hose End - Female JIC Swivel, 12-12 (Weatherhead 43012E-612), Hose End - 90o Female JIC Swivel, 12-12 (Weatherhead 43012E-672) & Hose - 3/4" 4 Spiral High Pressure (Weatherhead H43012)</i>	
				31	28456	TEE,RUN,070428-12-12.....	2
				32	20325	REDUCER,070123-12-8.....	1
				33	32632	KIT,PAINTED	
						PARTS,DEUTZGRY,Z60.....	1
				34	28598	CONNECTOR,070120-12-8.....	1

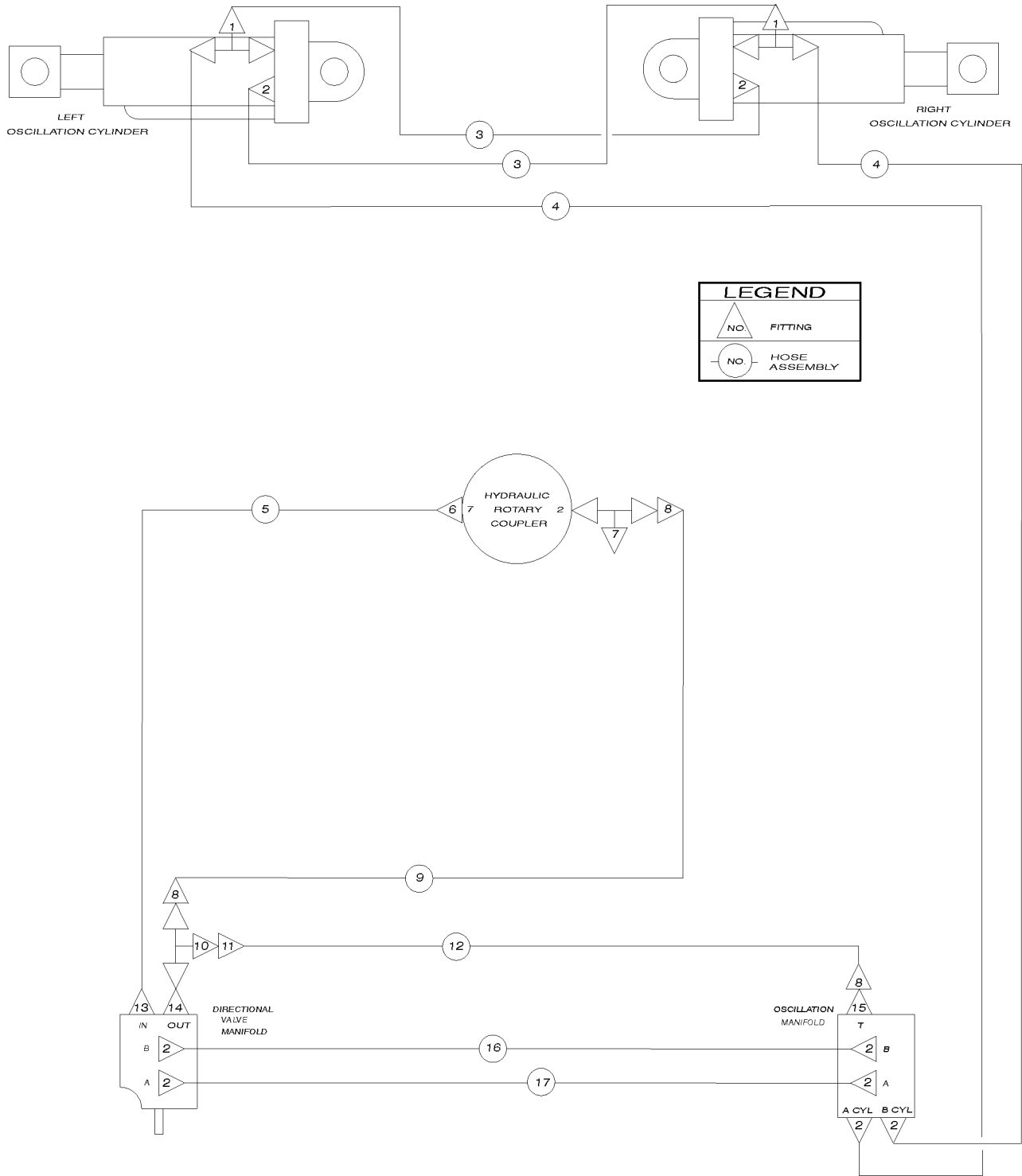
307.1 4WD Hydraulic Hoses and Fittings - Drive and Steer Systems
(continued)

Item	Part No.	Description	Qty.	Item	Part No.	Description	Qty.
35	34836	HOSE ASSEMBLY, 45".....1 <i>Hose - 1/2" Push On (Weatherhead H20108)</i>	1	46	34834	HOSE ASSEMBLY, 68".....1 <i>Hose End - Female JIC Swivel, 4-4 (Synflex 3903-04544), Hose End - Female JIC Swivel, 4-4 (Synflex 3903-04544) & Hose - 1/4" Thermoplastic Medium Pressure (Synflex 3130-04)</i>	1
36	34835	HOSE ASSEMBLY, 94".....1 <i>Hose End - Female JIC Swivel, 4-4 (Synflex 3903-04544), Hose End - 90o Female JIC Swivel, 4 JIC (Synflex 3903-04644) & Hose - 1/4" Thermoplastic Medium Pressure (Synflex 3130-04)</i>	1	47	13921	ELBOW,070220-4-4.....1	1
37	34833	HOSE ASSEMBLY, 60".....1 <i>Hose End - Female JIC Swivel, 6-4 (Synflex 3903-06544), Hose End - 90o Female JIC Swivel, 6-4 (Synflex 3903-06644) & Hose - 1/4" Thermoplastic Medium Pressure (Synflex 3130-04)</i>	1	48	34831	HOSE ASSEMBLY, 56".....1 <i>Hose - 1/2" Push On (Weatherhead H20108)</i>	1
38	34827	HOSE ASSEMBLY,49.5".....1 <i>Hose End - Female JIC Swivel, 12-12 (Weatherhead 43012E-612), Hose End - Female JIC Swivel, 12-12 (Weatherhead 43012E-612) & Hose - 3/4" 4 Spiral High Pressure (Weatherhead H43012)</i>	1				
39	23802	TEE,RUN,070428-4-4.....1	1				
40	21252	TEE,RUN,070432-8.....1	1				
41	25951	ELBOW,070220-8-12.....2	2				
42	20332	ELBOW,070220-12-16.....4	4				
43	34826	HOSE ASSEMBLY,35".....1 <i>Hose End - Female JIC Swivel, 12-12 (Weatherhead 43012E-612), Hose End - Female JIC Swivel, 12-12 (Weatherhead 43012E-612) & Hose - 3/4" 4 Spiral High Pressure (Weatherhead H43012)</i>	1				
44	34832	HOSE ASSEMBLY, 60".....1 <i>Hose End - Female JIC Swivel, 6-4 (Synflex 3903-06544), Hose End - Female JIC Swivel, 6-4 (Synflex 3903-06544) & Hose - 1/4" Thermoplastic Medium Pressure (Synflex 3130-04)</i>	1				
45	34825	HOSE ASSEMBLY,40.5".....2 <i>Hose End - Female JIC Swivel, 12-12 (Weatherhead 43012E-612), Hose End - Female JIC Swivel, 12-12 (Weatherhead 43012E-612) & Hose - 3/4" 4 Spiral High Pressure (Weatherhead H43012)</i>	2				

307.1 4WD Hydraulic Hoses and Fittings - Drive and Steer Systems
(continued)

This Page Intentionally Left Blank

308.1 4WD Hydraulic Hoses and Fittings - Oscillation System

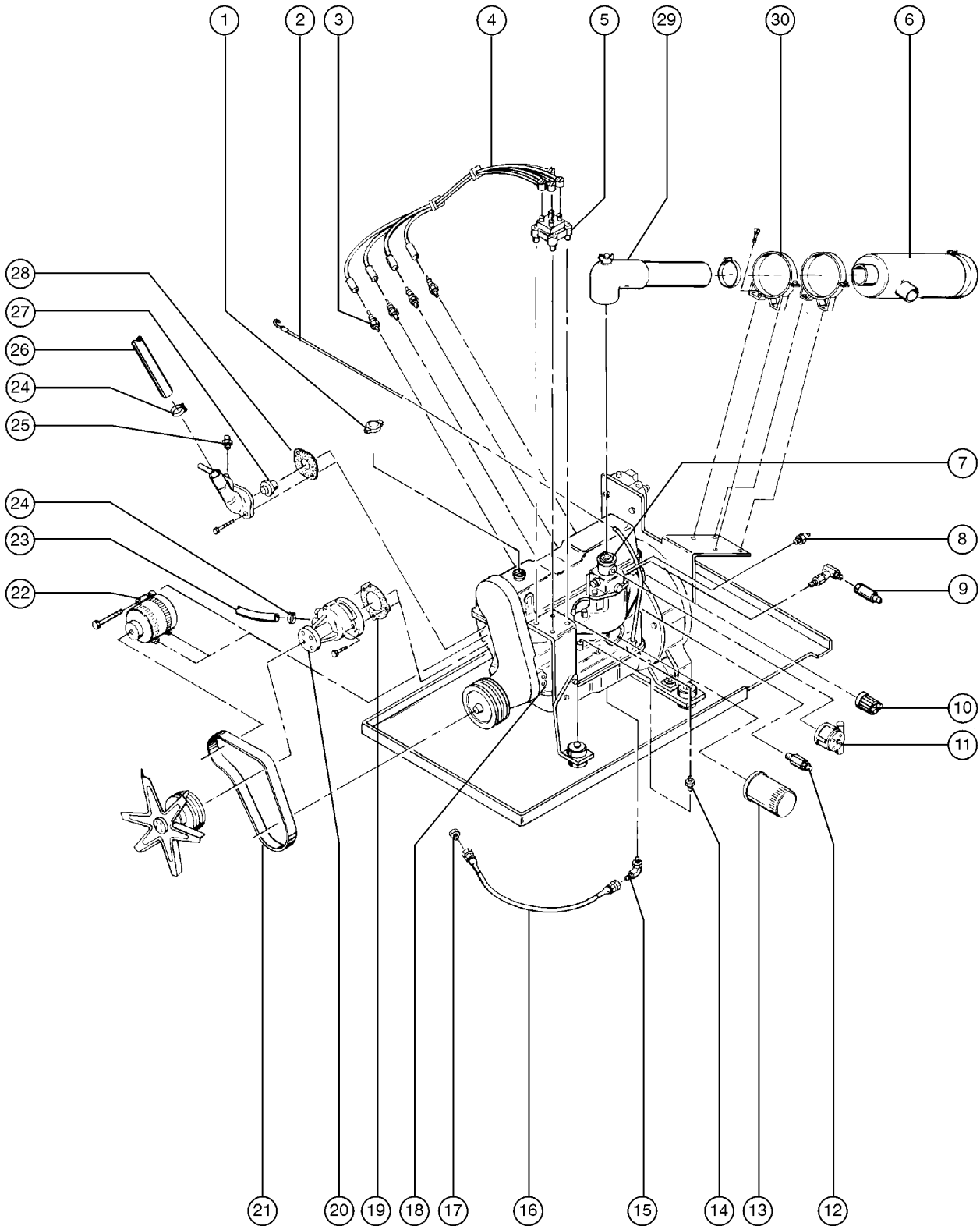


LEGEND	
	FITTING
	HOSE ASSEMBLY

308.1 4WD Hydraulic Hoses and Fittings - Oscillation System

Item	Part No.	Description	Qty.	Item	Part No.	Description	Qty.
--	33994	PLUG AND CAP KIT-SERVICE,37ø**		16	34815	Hose Assembly - Components: @ 19.3 inches (49 cm).....1 <i>Hose End - Female JIC Swivel, 6-6 (Synflex 3903-06546), Hose End - 90° Female JIC Swivel, 6-6 (Synflex 3903-06646) & Hose - 3/8" Thermoplastic High Pressure (Synflex 3800-06)</i>	
1	13119	TEE,RUN,070428-6-6.....	2				
2	45412	CONNECTOR,070120-6-6.....	8				
3	34817	Hose Assembly - Components: @ 15.3 inches (39 cm).....2 <i>Hose End - Female JIC Swivel, 6-6 (Synflex 3903-06546), Hose End - 90° Female JIC Swivel, 6-6 (Synflex 3903-06646) & Hose - 3/8" Thermoplastic High Pressure (Synflex 3800-06)</i>		17	34816	Hose Assembly - Components: @ 14.3 inches (36.4 cm).....1 <i>Hose End - Female JIC Swivel, 6-6 (Synflex 3903-06546), Hose End - 90° Female JIC Swivel, 6-6 (Synflex 3903-06646) & Hose - 3/8" Thermoplastic High Pressure (Synflex 3800-06)</i>	
4	34818	Hose Assembly - Components: @ 135 inches (344 cm).....2 <i>Hose End - Female JIC Swivel, 6-6 (Synflex 3903-06546), Hose End - 90° Female JIC Swivel, 6-6 (Synflex 3903-06646) & Hose - 3/8" Thermoplastic High Pressure (Synflex 3800-06)</i>					
5	34819	Hose Assembly - Components: @ 69.3 inches (176 cm).....1 <i>Hose End - Female JIC Swivel, 6-6 (Synflex 3903-06546), Hose End - 90° Female JIC Swivel, 6-6 (Synflex 3903-06646) & Hose - 3/8" Thermoplastic High Pressure (Synflex 3800-06)</i>					
6	13120	ELBOW,070220-6-6.....	1				
7	20334	TEE,RUN,070428-8.....	1				
8	28597	HOSE END,BARBED,SWIVEL,90DEG-8...3					
9	34820	Hose - Component: @ 67 inches (170 cm).....1 <i>Hose - 1/2" Push On (Weatherhead H20108)</i>					
10	21252	TEE,RUN,070432-8.....	1				
11	20324	HOSE END,BARBED,SWIVEL,-8-8.....	1				
12	34814	Hose - Component: @ 13.5 inches (34.3 cm).....1 <i>Hose - 1/2" Push On (Weatherhead H20108)</i>					
13	18687	CONNECTOR,070120-6-8.....	1				
14	45703	CONNECTOR,070120-8-8.....	1				
15	20923	CONNECTOR,070120-8-6.....	1				

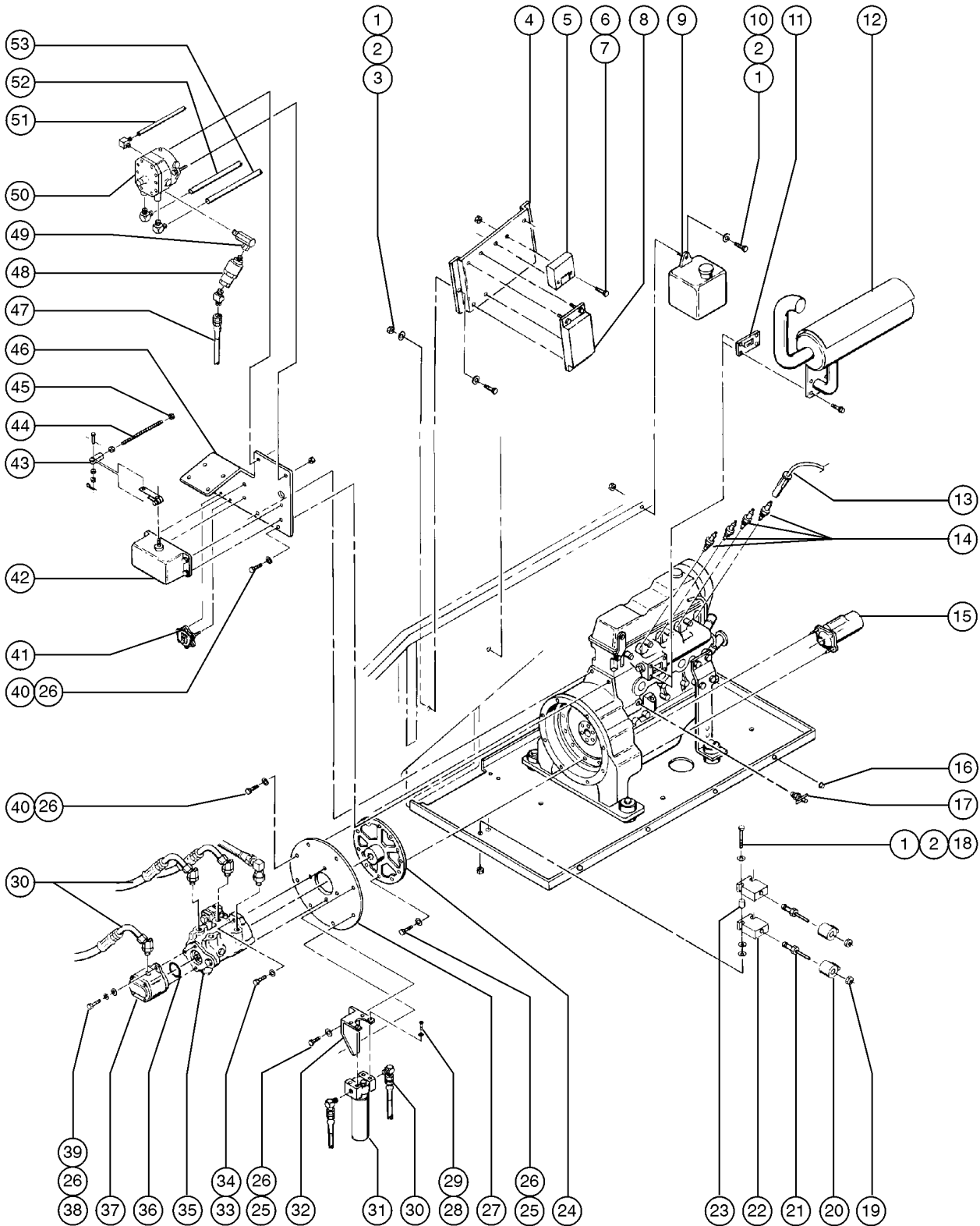
401.1 Ford LRG-423 Engine - View 1



401.1 Ford LRG-423 Engine - View 1

Item	Part No.	Description	Qty.	Item	Part No.	Description	Qty.
--	58480	ENGINE BLOCK,FORD,GAS,LRG 423*		27	33966	THERMOSTAT, FORD LRG.....	1
1	49881	OIL FILLER CAP FOR LRG ENGINE.....	1	28	28653	GASKET,WATER OUTLET,FORD....	1
2	33955	DIPSTICK, FORD LRG 423.....	1	29	24552	VENTURI,BEAM (FORD) ***.....	1
3	28647	SPARK PLUG,FORD.....	4	30	33931	MOUNTING BAND (27915).....	2
4	58928	WIRE SET (LRG 423) LG SET**.....	1				
5	33970	COIL, ELECTRONIC IGN., FORD...	1				
6	27915	AIR CLEANER.....	1				
--	27916	FILTER,AIR,ELEMENT***.....	1				
--	53952	BRKT,AIR CLEANER ORIENTATION**.....	1				
--	65815	CLAMP, AIR CLEANER (27915)**.....	1				
7	33958	CARBURETOR,FORD-LRG 423,AUTO**.....	1				
--	28714	CARB REPAIR KIT, LSG/LRG-423.....	1				
8	28651	SOLENOID, ANTI-DIESELING.....	1				
9	33971	FILTER,FUEL,LSG-423, IN-LINE.....	1				
10	30810	SENDING UNIT,OIL PRESSURE***.....	1				
11	29439	COIL, AUTOMATIC CHOKE,.....	1				
12	34058	SENDING UNIT,TMP,FRD,GM,PRK704.....	1				
13	28656	FILTER,OIL,FORD.....	1				
14	33957	VALVE,PCV-FORD LRG***.....	1				
15	27210	ELBOW,90DEG.6 X 14.....	1				
16	28020	HOSE ASSY,MOTOR OIL DRAIN....	1				
17	19141	PLUG,MALE,070109-6.....	1				
18	33968	SENSOR, CRANK POSITION.....	1				
19	33964	GASKET, WATER PUMP.....	1				
20	33963	PUMP, WATER, WITH GASKET.....	1				
21	33961	SERPENTINE BELT.....	1				
22	33960	ALTERNATOR,LRG-423 RE-BUILT*.....	1				
23	77170	HOSE,LOWER RADIATOR,Z45.....	1				
24	45171	CLAMP,HOSE,1.75,LINED.....	2				
25	33972	SENSOR,COOLANT TEMP*.....	1				
26	33965	HOSE, UPPER RADIATOR.....	1				

402.1 Ford LRG-423 Engine - View 2



402.1 Ford LRG-423 Engine - View 2

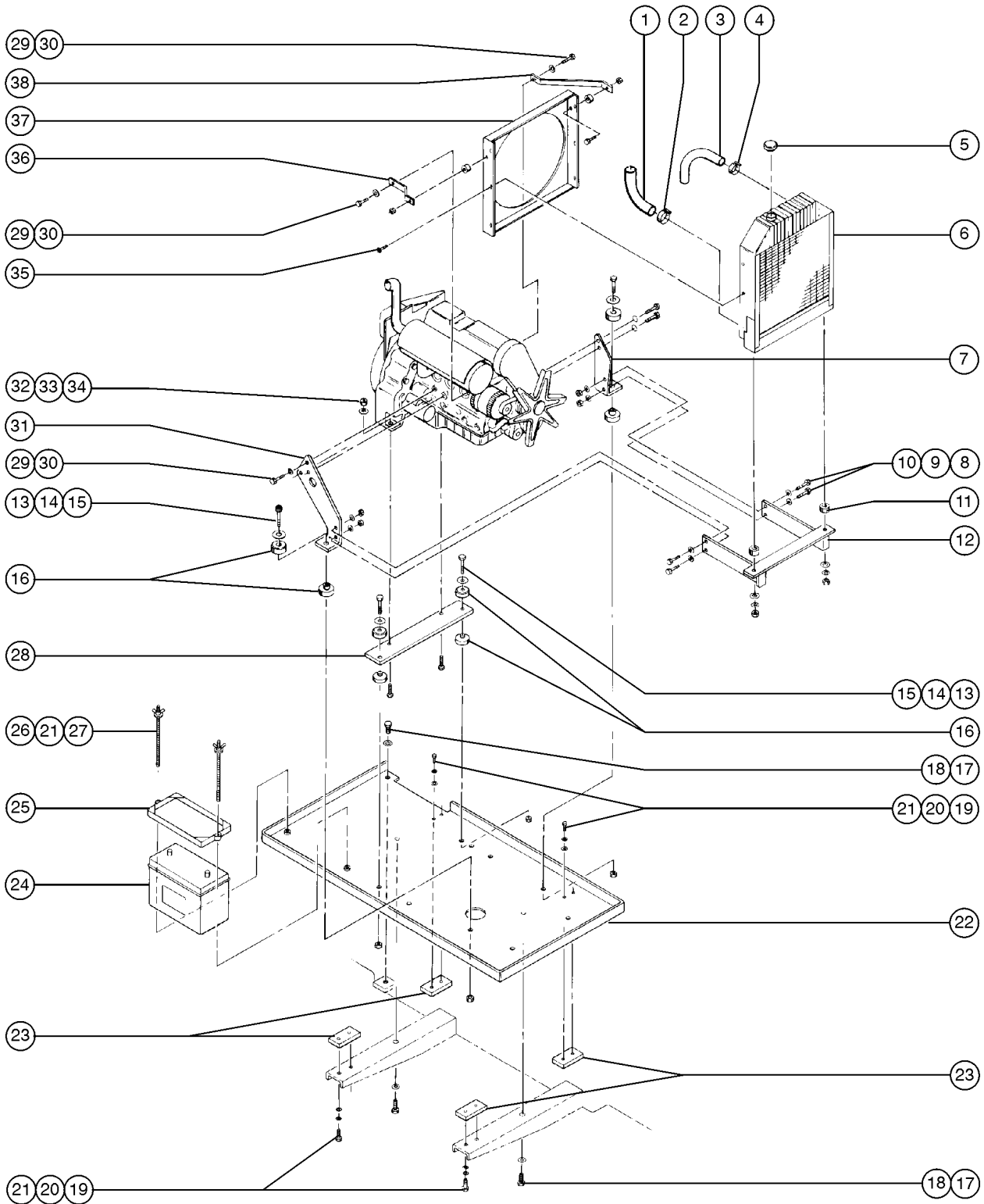
Item	Part No.	Description	Qty.	Item	Part No.	Description	Qty.
--	65770	BELT,TIMING,FORD LRG423/425EFI		27	25571P-S	PLATE,PUMP MOUNT,FORD,PAINTED.....	1
1	6091	NUT,NYLOCK,1/4-20.....	5	28	7339	SCREW,HHC,1/4-20 X .5.....	4
2	6638	WASHER,FLAT,USS,1/4"Y.....	9	29	6356	WASHER,LOCK,.25.....	4
3	8914	SCREW,HHC,1/4-20 X .625.....	2	30		Ref. Hydraulic Hoses & Fittings..... <i>refer to section 509.1</i>	4
4	31250	IGNITION MODULE MTG.PLATE ASSY.....	1	31	77139	FILTER ASY,M PRESS,SAE8,WOIND*.....	1
5	128658	KIT,LRG423 IGNITION MODULE.....	1	--	20880	FILTER ELEMENT-10 MIC.*** <i>component of filter assy p/n 20879 (no longer sold)</i>	
6	6179	SCREW,RHM,10-32 X 1.25.....	2	--	60857	FILTER,ELEMENT,BETA(5)=1000 <i>for 77139</i>	
7	14392	NUT,LP NYLOCK,10-32.....	2	32	30230P	FILTER MOUNT BRACKET.....	1
8	34935	GOVERNOR,CNTRLR,FORD,LRG 423.....	1	33	8177	SCREW,HHC,1/2-13 X 1.5.....	2
9	54071	COOLANT RETURN SYSTEM,Z45***.....	1	34	6033	WASHER,LOCK,0.5".....	4
10	8915	SCREW,HHC,1/4-20 X 1.25.....	1	35	37027	PUMP,VAR PISTON,2.8 C.I.***.....	1
11	27142	GASKET,EXHAUST.....	1	--	22965	EDC ASSY,SAUER,M46***.....	1
12	48439	MUFFLER,EXH,FORD,BIG BOOMS***.....	1	--	29739	SEAL KIT,SAUER-DANFOSS M46***.....	1
13	58928	WIRE SET (LRG 423) LG SET**.....	1	--	32611	SHAFT,M46 15 TOOTH.....	1
14	28647	SPARK PLUG,FORD.....	4	36	29436	O-RING***.....	1
15	29606	RING GEAR,FORD*** <i>FITS LSG-LRG 423, AND LRG425</i>		37	53959	PUMP,LIFT 1.403 C.I.***.....	1
15	29616	STARTER,ENGINE,FORD LSG/LRG***.....	1	--	58228	SEAL KIT***.....	1
16	34619	BUMPER,RUBBER***.....	4	38	33988	SCREW,SHC,3/8-16 X 1.....	2
17	28717	VALVE,DRAIN,FORD,BLOCK,RAD..	1	39	6097	WASHER,FLAT,USS,3/8",Y.....	2
18	11413	SCREW,HHC,1/4-20 X 4.....	2	40	6175	SCREW,HHC,3/8-16 X 1.....	2
19	52943	NUT,SOLENOID VALVE.....	2	41	22278	SWITCH,VACUUM.....	1
20	27814	COIL,SOLENOID,10V.....	2	42	34936	GOVERNOR,ACTUATOR,FORD LRG423.....	1
21	29066	VALVE,SOLENOID,10V,2POS 3WAY**..... <i>includes index numbers 19 and 20</i>	2	43	21130	CLEVIS YOKE-1/4-28,PLTD W/PIN..... <i>includes clevis pin</i>	1
22	30369	SOLENOID VALVE,N.C. 2POS. 3WAY..... <i>includes index number 21</i>	2	44	30785-1000	THREADED ROD,1/4-28 X 10 IN***.....	1
23	45400	SPACER TUBE,.50 LG.....	2	45	21496	NUT,HEX,1/4-28.....	2
24	28836	COUPLING,FLYWHEEL,FL 15T 12.5".....	1	46	34939P	BRACKET,LP REG/AIR FILTER,PNTD.....	1
--	37002	COUPLER,HUB,15 TOOTH 7/16BOLT*.....	1	47	25967	HOSE ASSEMBLY,LP GAS-86" LNG**.....	1
25	6019	SCREW,HHC,3/8-16 X 1.25 GRD 5.....	8	48	27010	VALVE,LOCK OFF,BEAM #FL-418.....	1
26	6021	WASHER,LOCK,.375.....	14	49	27042	ELBOW,90DEG.1/4MPT,1/4SW,NPTF.1	

402.1 Ford LRG-423 Engine - View 2
(continued)

Item	Part No.	Description	Qty.
50	24551	REGULATOR,LPG,BEAM #120A.....1 <i>Type 120 regulator</i>	
--	32768	REGULATOR DIAPH.KIT BEAM 120A.....1 <i>for 24551</i>	
50A	22279	REGULATOR,LPG BEAM 60*** <i>Type 60 regulator</i>	
--	24470	REGULATOR DIAPH.KIT BEAM 50/60 <i>for 22279</i>	
51		Ref. Hose - 3/16 x 17.5 inches (44.5 cm), Regulator to Carburetor Venturi.....1	
52		Ref. Hose - 3/8 x 25 inches (63.5 cm), Regulator to Intake Manifold.....1	
53		Ref. Hose - 3/8 x 54 inches (137 cm), Regulator to Water Pump.....1	

This Page Intentionally Left Blank

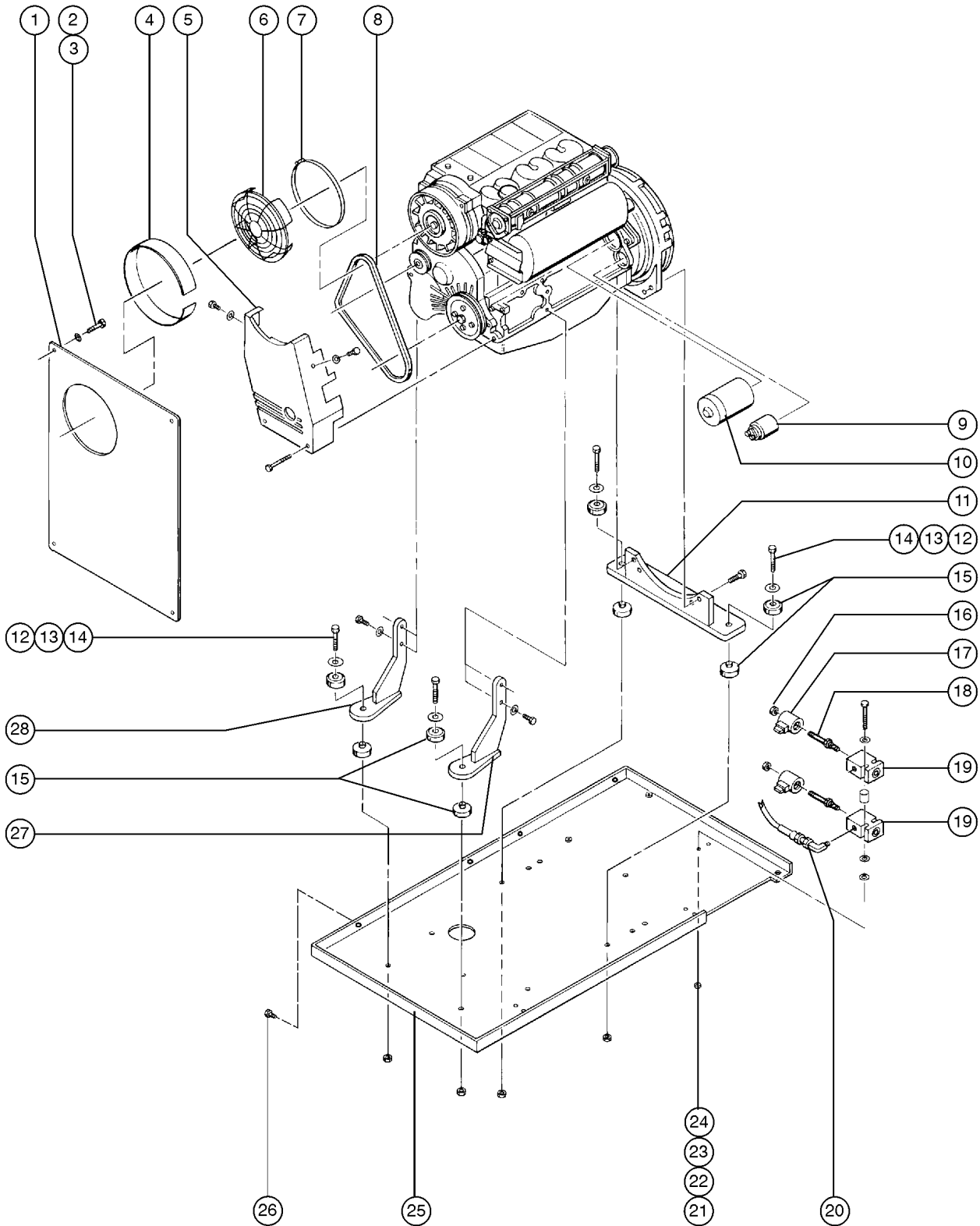
403.1 Ford LRG-423 Engine - View 3



403.1 Ford LRG-423 Engine - View 3

Item	Part No.	Description	Qty.	Item	Part No.	Description	Qty.
1	77170	HOSE,LOWER RADIATOR,Z45.....1		34	10598	SCREW,HHC,1/2-13 X 3.....2	
2	13014	CLAMP,HOSE,2.25" DIA.....1		35	21018	SCREW,PHIL,PHM,10-24 X.38,SEMS.....6	
3	33965	HOSE, UPPER RADIATOR.....1		36	34942P-S	STRUT,RH,FORD RADIATOR,PAINT.....1	
4	45171	CLAMP,HOSE,1.75,LINED.....1		37	34927P-S	SHROUD,RADIATOR LRG 423 BLUE**.....1	
5	27943	CAP,RADIATOR,FORD***1		38	34943P-S	MOUNT,RAD.SUPPT,LH,BLUE.....1	
6	33969	RADIATOR,FORD,LRG.....1					
--	28717	VALVE,DRAIN,FORD,BLOCK,RAD..1					
7	29297	WELDMENT,FORD ENG.MNT,INBOARD.....1					
8	8516	SCREW,HHC,3/8-16 X 1.50,GR5....4					
9	6097	WASHER,FLAT,USS,3/8",Y.....8					
10	4828	NUT,NYLOCK,3/8-16.....4					
11	24038	SHOCK MOUNT,SMALL.....2					
12	34929	WELDMENT,RAD MNT LRG423....1					
13	6023	SCREW,HHC,5/8-11 X 3.5.....4					
14	6035	WASHER,FLAT,USS,5/8",Y.....4					
15	6024	NUT,NYLOCK,5/8-11.....4					
16	28076	ISOLATOR,VIBRATION,LG,RD&WH***.4					
17	29883	SCREW,HHC,5/8-11 X 1.75 GRD.8.....3					
18	13064	WASHER,FLAT,.625 HARDENED...3					
19	6090	SCREW,HHC,1/4-20 X .75.....8					
20	6356	WASHER,LOCK,..25.....8					
21	6638	WASHER,FLAT,USS,1/4"Y.....10					
22	30679-S	WELDMENT, ENGINE MODULE PLATE.....1					
23	45209	WEAR PAD,4X2X.5 W/INSERT***4					
24	30143	BATTERY,12V,1000 CCA GRP 31.....1					
25	30144	BATTERY HOLD DOWN,GROUP 31.....1					
26	30784-975	THREADED ROD,(1/4-20),9.75.....2					
27	8170	NUT,WING,1/4-20.....2					
28	28234P-S	PLATE,ENGINE MOUNT,PAINTED.....1					
29	27034	SCREW,HHC,M10 X 25MM,GR 8.8.....7					
30	22700	WASHER,LOCK,M10.....7					
31	33995	WELDMENT,FORD ENG MT,OUTBOARD.....1					
32	6198	NUT,NYLOCK,1/2-13.....2					
33	6095	WASHER,FLAT,USS,1/2",Y.....2					

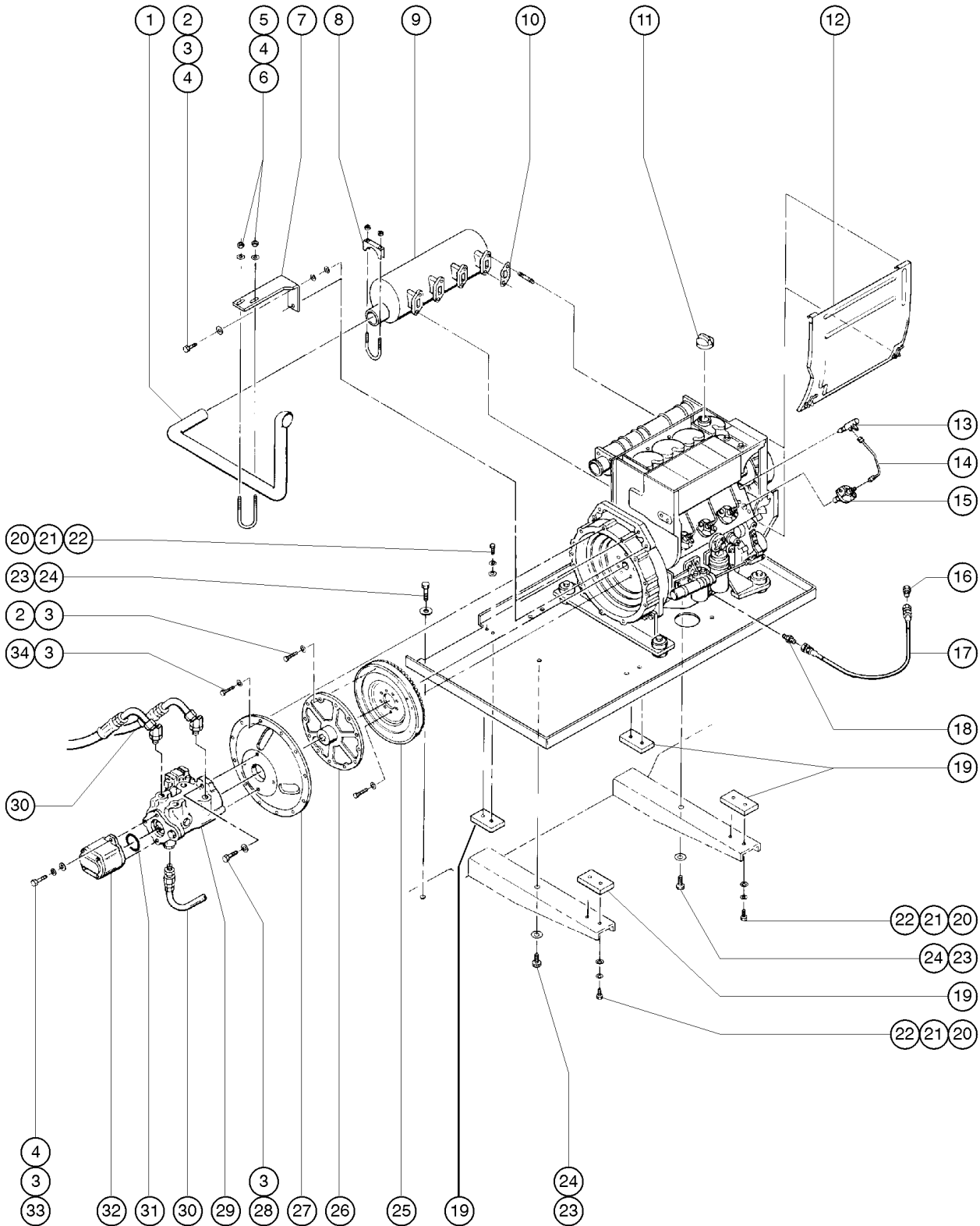
404.1 Deutz F4L 1011 Engine - View 1



404.1 Deutz F4L 1011 Engine - View 1

Item	Part No.	Description	Qty.
--	58274	ENGINE, DEUTZ D2011L03I (SERV) <i>F3L1011 AND F3L1011F Engines only</i>	
1	30721P	BAFFLE,AIR,DEUTZ,PAINTED.....	1
2	6175	SCREW,HHC,3/8-16 X 1.....	4
3	6021	WASHER,LOCK,.375.....	4
4	33239	SHEET,RUBBER,AIR INTAKE.....	1
5	29555	COVER,FRONT DEUTZ ENGINE....	1
6	31522	GUARD,FAN,DEUTZ F4L1011.....	1
7	31523	CLAMP,HOSE,8.50 DIA***.....	1
8	32698	BELT,V, DEUTZ DIESEL ENGINE....	1
9	29552	STARTER SOLENOID, DEUTZ 25484.....	1
10	29551	STARTER ASSY - PRE 8/14/95..... <i>includes index number 9</i>	1
11	29550	WELDMENT,DEUTZ ENGINE MOUNT.....	1
12	21175	SCREW,SHC,5/8-11 X 4,A574.....	4
13	6035	WASHER,FLAT,USS,5/8",Y.....	4
14	6024	NUT,NYLOCK,5/8-11.....	4
15	28076	ISOLATOR,VIBRATION,LG,RD&WH***.	4
16	52943	NUT,SOLENOID VALVE.....	2
17	27814	COIL,SOLENOID,10V.....	2
18	29066	VALVE,SOLENOID,10V,2POS 3WAY**..... <i>includes index numbers 16 and 17</i>	2
19	30369	SOLENOID VALVE,N.C. 2POS. 3WAY..... <i>includes index number 18</i>	2
20		Ref. Hydraulic Hoses & Fittings..... <i>refer to section 509.1</i>	2
21	6091	NUT,NYLOCK,1/4-20.....	2
22	6638	WASHER,FLAT,USS,1/4"Y.....	6
23	45400	SPACER TUBE,.50 LG.....	2
24	11413	SCREW,HHC,1/4-20 X 4.....	2
25	30679-S	WELDMENT, ENGINE MODULE PLATE.....	1
26	34619	BUMPER,RUBBER***.....	4
27	32748	WELMENT,DEUTZ ENGINE MOUNT.....	1
28	32749	WELDMENT,DEUTZ ENGINE MOUNT.....	1

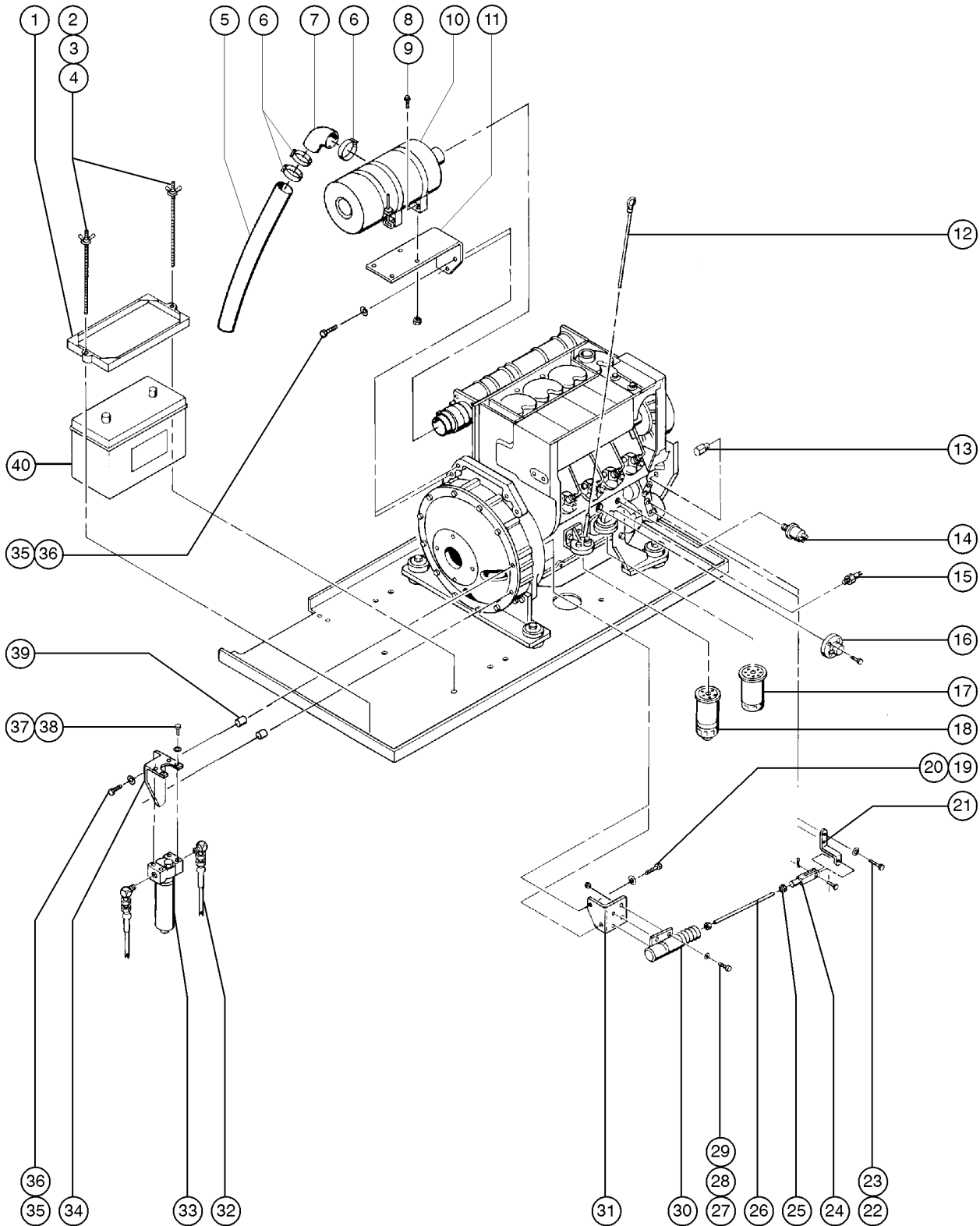
405.1 Deutz F4L 1011 Engine - View 2



405.1 Deutz F4L 1011 Engine - View 2

Item	Part No.	Description	Qty.	Item	Part No.	Description	Qty.
1	34551	EXHAUST, TAILPIPE, DEUTZ.....	1	26	34380	FLYWHEEL COUPLING, TYPE FL...	1
2	6019	SCREW, HHC, 3/8-16 X 1.25 GRD 5.....	14	--	32606	COUPLER, HUB, 15 TOOTH.....	1
3	6021	WASHER, LOCK, .375.....	27	27	30806	FLYWHEEL COVER, CASTING***.....	1
4	6097	WASHER, FLAT, USS, 3/8", Y.....	6	28	6605	SCREW, HHC, 3/8-16 X 3.5, GR5.....	2
5	6002	NUT, LP NYLOCK, 5/16-18.....	2	29	37027	PUMP, VAR PISTON, 2.8 C.I.***.....	1
6	16584	U-BOLT, KIT 5/16-18 X 2.5.....	1	--	22965	EDC ASSY, SAUER, M46***.....	1
7	27329P-S	BRACKET, EXHAUST SUPPORT, PAINTD.....	1	--	27067	SEAL, SHAFT-SUNDSTRAND***	
8	30438	CLAMP, MUFFLER, 2 1/4" ID.....	2	--	29739	SEAL KIT, SAUER-DANFOSS M46***.....	1
9	29558	MUFFLER**.....	1	--	32611	SHAFT, M46 15 TOOTH.....	1
--	53867	SCRUBBER MUFFLER, DEUTZ, F4L1011 <i>option</i>		--	65843	SEAL, LINK KIT***	
10	29559	GASKET, EXHAUST.....	4	30		Ref. Hydraulic Hoses & Fittings..... <i>refer to section 509.1</i>	1
11	29557	CAP, OIL FILLER, DEUTZ, DIESEL***.....	1	31	29436	O-RING***.....	1
12	29556	COVER, SIDE ENGINE.....	1	32	53959	PUMP, LIFT 1.403 C.I.***.....	1
13	29563	INJECTOR.....	3	--	31249	SEAL KIT, LIFT PUMP**..... <i>for lift pump 32604</i>	1
14	29564	INJECTOR, FUEL LINE DEUTZ DSL.....	3	--	58228	SEAL KIT***	
15	32699	INJECTION PUMP, DEUTZ DIESEL.....	3	33	33988	SCREW, SHC, 3/8-16 X 1.....	2
16	19141	PLUG, MALE, 070109-6.....	1	34	6175	SCREW, HHC, 3/8-16 X 1.....	12
17	30964	HOSE ASSEMBLY, 33".....	1				
18	30963	CONNECTOR, M18 X 8 JIC.....	1				
19	45209	WEAR PAD, 4X2X.5 W/INSERT***.....	4				
20	6090	SCREW, HHC, 1/4-20 X .75.....	8				
21	6356	WASHER, LOCK, .25.....	8				
22	6638	WASHER, FLAT, USS, 1/4" Y.....	8				
23	29883	SCREW, HHC, 5/8-11 X 1.75 GRD.8.....	3				
24	13064	WASHER, FLAT, .625 HARDENED....	3				
25	33729	RING GEAR, DEUTZ F3 & F4L1011..... <i>(please verify ring gear thickness) 0.365 inches</i>	1				
--	49917	RING GEAR, DEUTZ F3 & F4L1011F..... <i>(please verify ring gear thickness) 0.46 inches</i>	1				
--	89785	RING GEAR, DEUTZ F3L2011F..... <i>(please verify ring gear thickness) 0.6 inches</i>	1				

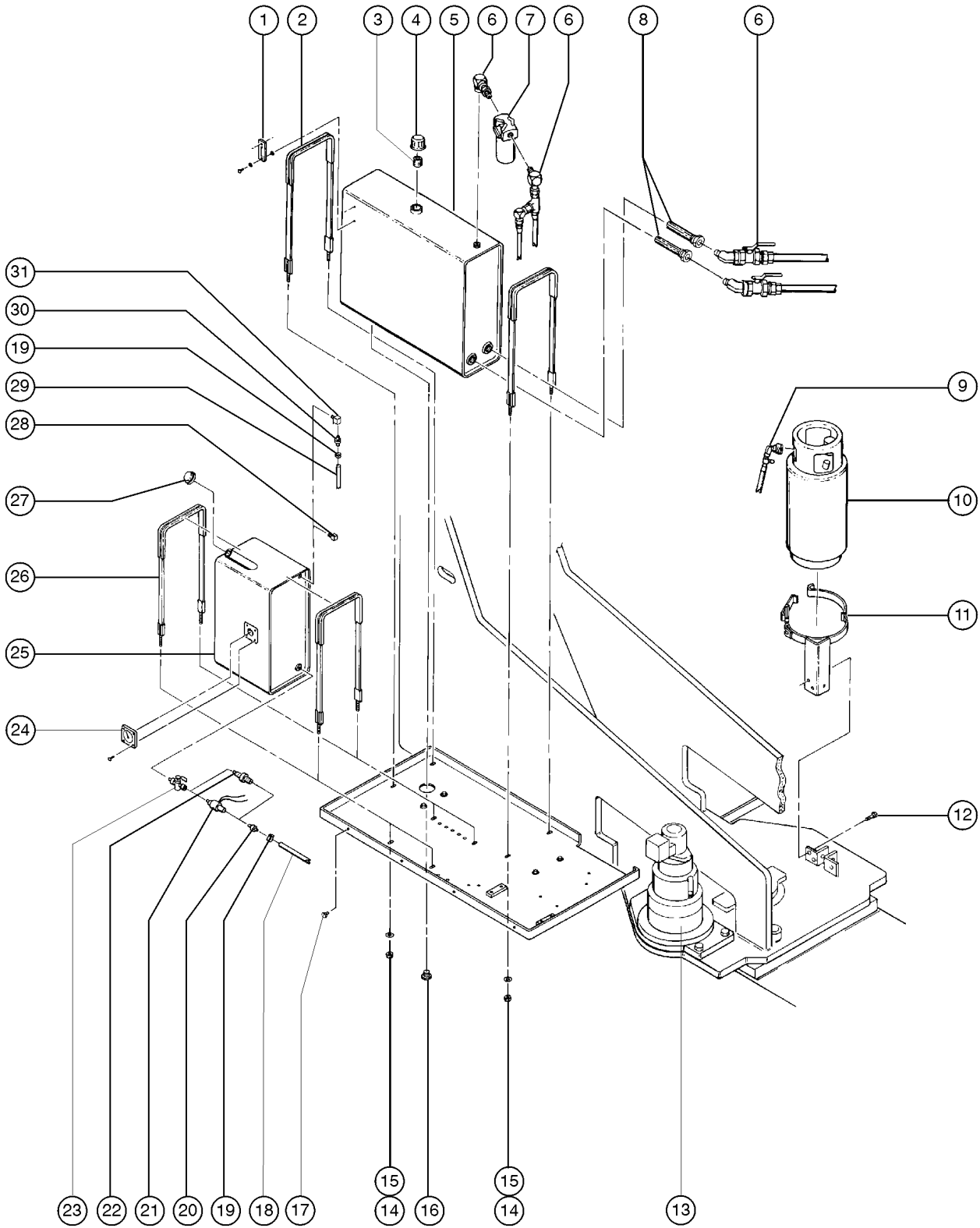
406.1 Deutz F4L 1011 Engine - View 3



406.1 Deutz F4L 1011 Engine - View 3

Item	Part No.	Description	Qty.	Item	Part No.	Description	Qty.
1	30144	BATTERY HOLD DOWN, GROUP 31.....	1	--	1254826	FUEL FILTER W/SEP, DEUTZ, 1008.....	1
2	30784-975	THREADED ROD, (1/4-20), 9.75.....	2			<i>Genie Aftermarket Part. Filter for Deutz F3L 1011F Engine.</i>	
3	6638	WASHER, FLAT, USS, 1/4"Y.....	2	19	23057	SCREW, HHC, M8 X 20MM.....	2
4	8170	NUT, WING, 1/4-20.....	2	20	6886	WASHER, LOCK, .313.....	2
5	34162-3150	HOSE, AIR INTAKE 2.5" I.D.....	1	21	33240P	BRACKET, ACTUATOR ARM MTG, PTD.....	1
6	30971	CLAMP, HOSE, 3.00".....	5	22	22578	SCREW, HHC, M6 X 20MM, GR8.8....	2
7	34164	ELBOW, 90 DEGR, RUBBER, 2.5" I.D.*.....	1	23	6356	WASHER, LOCK, .25.....	2
8	18506	5/16-18 X .75 LG. FLG. LCK. SCREW.....	4	24	21130	CLEVIS YOKE-1/4-28, PLTD W/PIN.....	1
9	6002	NUT, LP NYLOCK, 5/16-18.....	4			<i>includes clevis pin</i>	
10	27915	AIR CLEANER.....	1	25	21496	NUT, HEX, 1/4-28.....	2
		<i>does NOT include mounting bands</i>		26	30785-1500	THREADED ROD, 1/4-28 X 15 IN***.....	1
--	27916	FILTER, AIR, ELEMENT***.....	1	27	6090	SCREW, HHC, 1/4-20 X .75.....	4
--	53952	BRKT, AIR CLEANER ORIENTATION**.....	1	28	6638	WASHER, FLAT, USS, 1/4"Y.....	4
--	65815	CLAMP, AIR CLEANER (27915)**....	1	29	6091	NUT, NYLOCK, 1/4-20.....	4
		<i>clamp that holds the end cap on</i>		30	29073	SOLENOID, THROTTLE,.....	1
11	30769P	BRCKET, AIR CLEANER MTG. PAINT.....	1	31	33241P	BRACKET, SOLENOID MTG, PAINTED.....	1
12	32750	DIPSTICK.....	1	32		Ref. Hydraulic Hoses & Fittings.....	1
13	T114678	SHUTDOWN SOLENOID, 12V, DEUTZ.....	1			<i>refer to section 509.1</i>	
		<i>(replaced 32752) (must order cable assembly, 58256, if replacing 32752) (does not include o-ring)</i>		33	77139	FILTER ASY, M PRESS, SAE8, WOIND*.....	1
--	45782	DIODE, 6 AMP, 200 PIV, BULK		--	20880	FILTER ELEMENT-10 MIC.***.....	1
--	58256	SOLENOID CABLE ASSY***				<i>component of filter assy p/n 20879 (no longer sold)</i>	
--	72255	CONNECTOR, DEUTZ FUEL SHUTOFF* <i>(does not include diode, 45782)</i>		--	60857	FILTER, ELEMENT, BETA(5)=1000....	1
						<i>for 77139</i>	
14	30805	SENDING UNIT, OIL PRESS., DEUTZ.....	1	34	30230P	FILTER MOUNT BRACKET.....	1
15	34059	SENDING UNIT, OIL TEMP.....	1	35	6019	SCREW, HHC, 3/8-16 X 1.25 GRD 5.....	4
16	29562	PUMP ASSY, FUEL, DEUTZ DIESEL.....	1	36	6021	WASHER, LOCK, .375.....	4
17	29561	FILTER, OIL.....	1	37	7339	SCREW, HHC, 1/4-20 X .5.....	4
18	29560	FILTER, FUEL/WTR SEP, DTZ 1008.....	1	38	6356	WASHER, LOCK, .25.....	4
		<i>Genie Genuine Part. See PN 1254826 for compatible aftermarket replacement.</i>		39	8878	SPACER, .40X.50X.560.....	2
				40	30143	BATTERY, 12V, 1000 CCA GRP 31.....	1

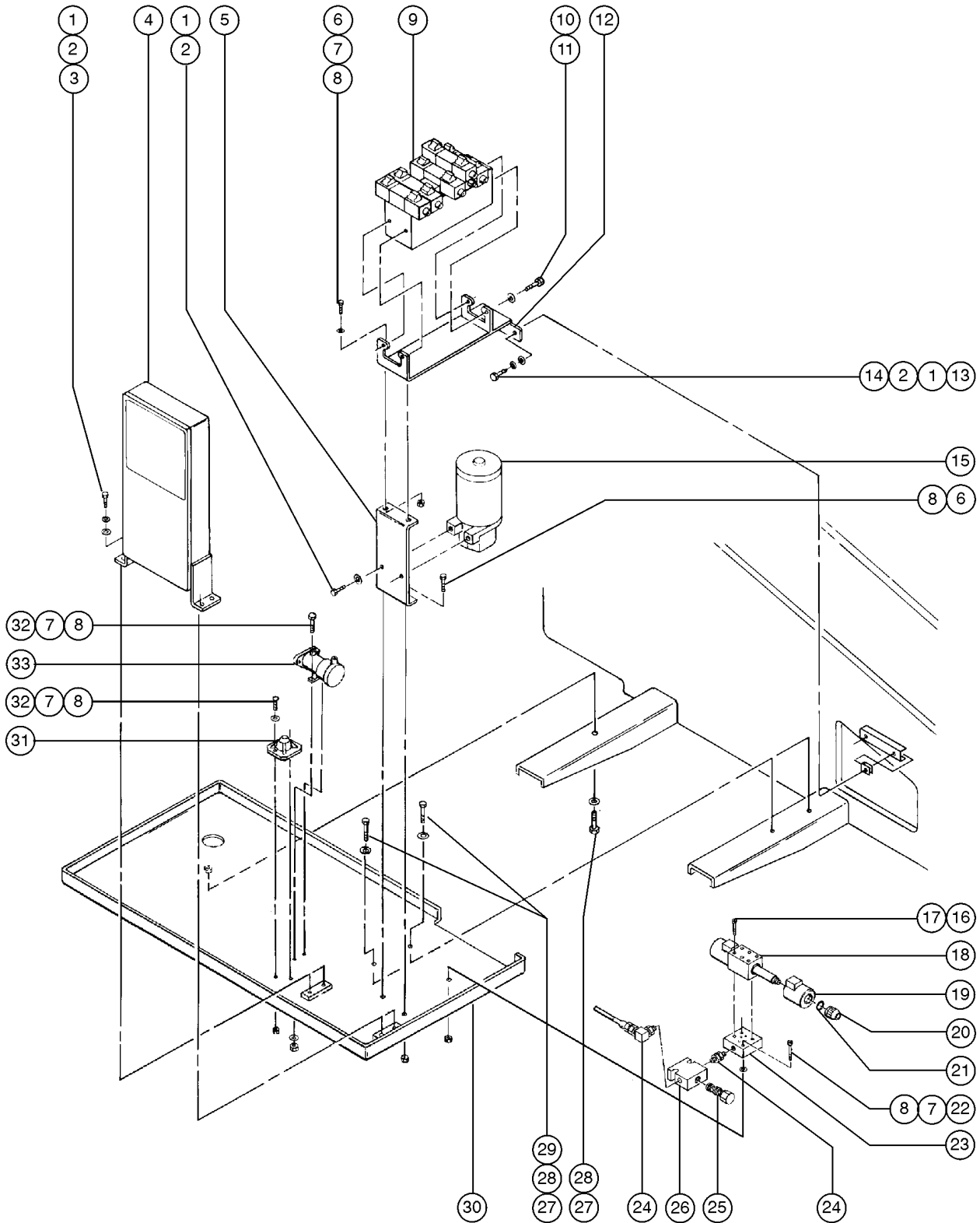
501.1 Hydraulic and Fuel Tanks



501.1 Hydraulic and Fuel Tanks

Item	Part No.	Description	Qty.	Item	Part No.	Description	Qty.
1	21141	GAUGE-SIGHT,LHA-LGTB***.....1 <i>includes mounting fasteners</i>	1	22	33349	VALVE,INLINE CHECK.....1 <i>Deutz Diesel models</i>	1
2	31524	STRAP ASSY,TANK, 66 INCH.....2	2	23	19487	VALVE,FUEL LOCK.....1	1
3	31506	STRAINER,FILLER NECK.....1	1	24	30584	GAUGE,FUEL,SIDE MOUNT.....1	1
4	53534	FILTER SCREEN,TANK BREATHER.....1	1	25	30546P-S	TANK,30 GALLON,PAINTED**.....1 <i>includes index number 28</i>	1
5	53353	TANK,HYDRAULIC,45 GALLON***1 <i>includes index numbers 3 and 16</i>	1	26	30179	TANK STRAP,BOLT STYLE,62".....2	2
6		Ref. Hydraulic Hoses & Fittings.....1 <i>refer to section 509.1</i>	1	27	25567	CAP,FUEL,GREEN*.....1 <i>Deutz Diesel models</i>	1
7	29908	FILTER ASSY W/INDICATOR LH.....1	1	--	28829	CAP,FUEL,RED***1 <i>Gasoline/LPG models</i>	1
--	20293	FILTER ELEMENT-10MICRON.....1	1	28	18218	PLUG,PIPE,HEX HEAD,STL,1/4NPT.....1 <i>Gasoline/LPG models</i>	1
8	45161P	STRAINER ASSEMBLY,PAINTED.....2	2	29	30490	HOSE,1/4 FUEL LINE,SAE 30R7.....126-inches <i>Deutz Diesel models</i>	1
9	25967	HOSE ASSEMBLY,LP GAS-86" LNG**1	1	30	29137	HOSE END,MALE.25 X .25 MPT.....1 <i>Deutz Diesel models</i>	1
10	53605	TANK, LP, 7 GAL.....1 <i>Gasoline/LPG models</i>	1	31	19363	ELBOW,130239-4-4.....1 <i>Deutz Diesel models</i>	1
11	30711	LP.TANK BRKT WLDMT.,TALL.....1 <i>Gasoline/LPG models</i>	1				
12	8255	SCREW,HHC,3/8-16 X .75.....3 <i>Gasoline/LPG models</i>	3				
13		Ref. Turntable Rotator.....3 <i>refer to section 504.1</i>	3				
14	4828	NUT,NYLOCK,3/8-16.....7	7				
15	6097	WASHER,FLAT,USS,3/8",Y.....4	4				
16	31507	PLUG,SQUARE HEAD,3/4 MPT.....1	1				
17	34619	BUMPER,RUBBER***4	4				
18	27089	HOSE,5/16 FUEL,SAE 30R7.....102-inches <i>Deutz Diesel models</i>	1				
--	27089	HOSE,5/16 FUEL,SAE 30R7.....78-inches <i>Gasoline/LPG models</i>	1				
19	21465	CLAMP,HOSE,SIZE .25 TO .63.....2 <i>Deutz Diesel models</i>	2				
--	21465	CLAMP,HOSE,SIZE .25 TO .63.....1 <i>Gasoline/LPG models</i>	1				
20	33350	SWIVEL,45 DEGR.FEM.X 5/16 BARB.....1 <i>Deutz Diesel models</i>	1				
--	29137	HOSE END,MALE.25 X .25 MPT.....1	1				
21	139898	SOLENOID-GASOLINE FUEL.....1 <i>Gasoline/LPG models</i>	1				

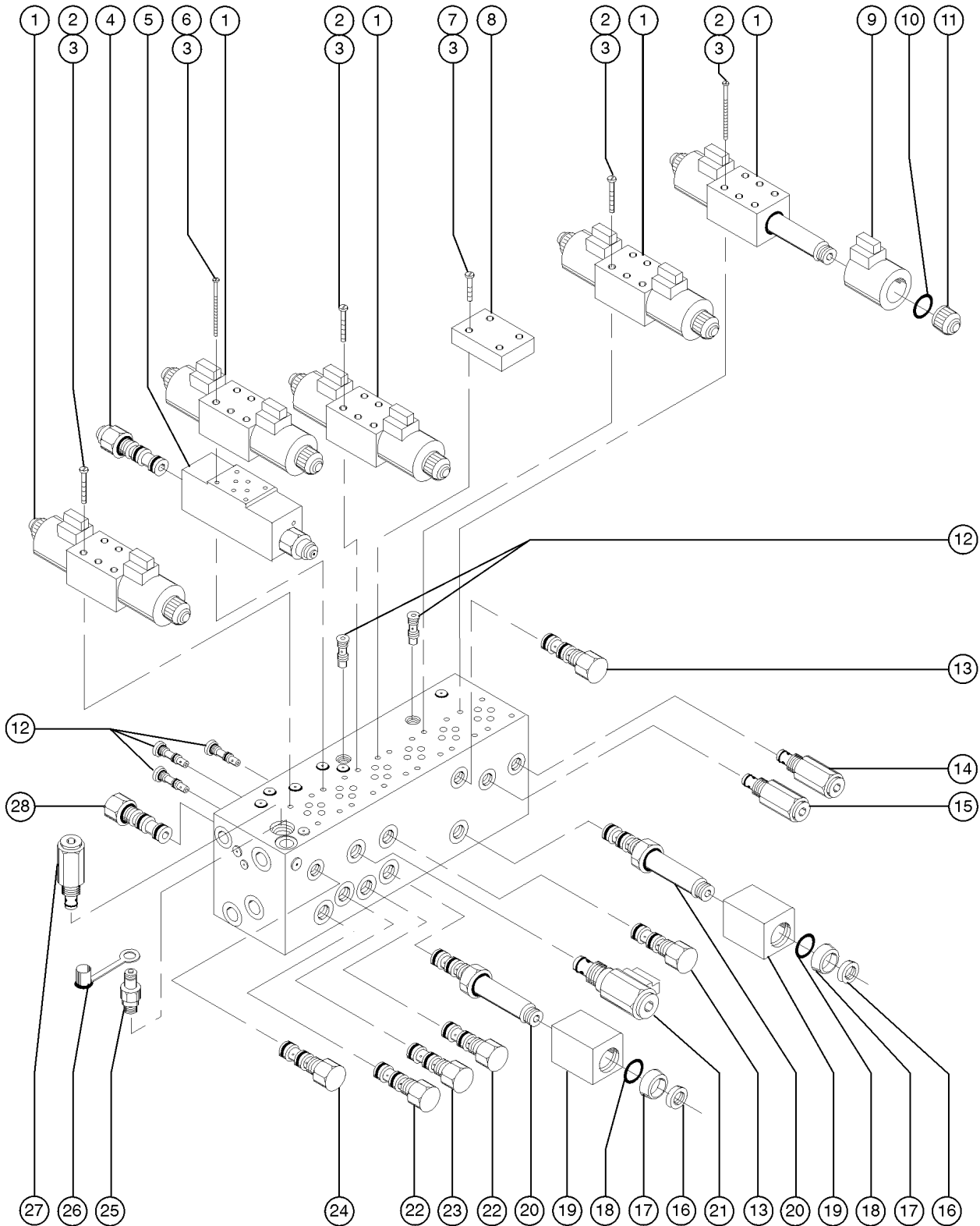
502.1 Function Manifold and Auxiliary Power Unit Installation



502.1 Function Manifold and Auxiliary Power Unit Installation

Item	Part No.	Description	Qty.	Item	Part No.	Description	Qty.
1	8255	SCREW,HHC,3/8-16 X .75.....	6	--	32963	GASKET,0.001,AMBER (32810).....	1
2	6021	WASHER,LOCK,.375.....	6			<i>for APU 32811</i>	
3	6097	WASHER,FLAT,USS,3/8",Y.....	8	--	32964	GASKET,0.00075,GOLD (32810).....	1
4		Ref. Ground Controls.....	8			<i>for APU 32811</i>	
		<i>refer to sections 505.1 and 506.1</i>		--	32967	GASKET,PUMP TO DC	
5	30718P	BRACKET,AUX.PUMP				MTR.(32810).....	1
		MNT.PAINTED.....	1			<i>for APU 32811</i>	
6	4266	SCREW,HHC,1/4-20 X 2.....	4	--	33455	PUMP, AUX. POWER UNIT.....	1
7	6638	WASHER,FLAT,USS,1/4"Y.....	9			<i>for APU 32811</i>	
8	6091	NUT,NYLOCK,1/4-20.....	4	16	45916	SCREW,SHC,10-24 X 1.250	
9	30668	MANIFOLD,FUNCTN				(D01).....	4
		S40,S60,S80.....	4	17	6607	WASHER,LOCK,#10 PLTD.....	4
10	13002	SCREW,HHC,5/16-18 X 1 GR5.....	4	18	146160	VALVE KIT,D03.....	1
11	6886	WASHER,LOCK,.313.....	4			<i>includes index numbers 19 through 21</i>	
12	30703	WLDMT.FUNCTION MAN. MNT.		19	223763	COIL WITH DE CONNECTOR.....	2
		S40.....	1	20	33568	NUT, CP521-1 VALVE.....	2
13	6175	SCREW,HHC,3/8-16 X 1.....	2	21	45914	O-RING, DO1 VALVE.....	2
14	29868	SPRING CLIP,3/8-16.....	6	22	30444	SCREW,SHC,1/4-20 X 2.....	2
15	89617	POWER UNIT,AUX PUMP		23	24675	SUB PLATE (SPOOL VALVE).....	1
		12VDC.....	1	24		Ref. Hydraulic Hoses & Fittings.....	1
		<i>Replaces 32811 and 53236; Check</i>				<i>refer to section 509.1</i>	
		<i>unit label for part number prior to</i>		25	33453	VALVE,FLOW REG.,3.5GPM	
		<i>ordering components</i>				(34543).....	1
--	147289	SEAL KIT, APU		26	34543	VALVE,FLOW REGULATOR 3.5	
		<i>for APU 89617</i>				GPM.....	1
--	147290	SHAFT SEAL, APU				<i>oscillating models only; includes index</i>	
		<i>for APU 89617</i>				<i>number 25</i>	
--	58489	PUMP ASSY,AUX.POWER UNIT		27	29883	SCREW,HHC,5/8-11 X 1.75	
		89617				GRD.8.....	3
		<i>for APU 89617</i>		28	13064	WASHER,FLAT,.625 HARDENED....	3
--	77069	MOTOR,12VDC,77066		29	6024	NUT,NYLOCK,5/8-11.....	3
		<i>for APU 89617</i>		30	30677	WELDMNT,HYD TANK	
--	77071	SOLENOID,77066				MODULE.....	1
		<i>for APU 89617</i>		31	44586	SENSOR,LEVEL 4.5***.....	1
--	32948	COUPLER,PUMP TO MOTOR		32	6888	SCREW,HHC,1/4-20 X 1.....	4
		(32810).....	1	33	46164	FUEL PUMP KIT,FORD LRG	
		<i>for APU 32811</i>				423***.....	1
--	32949	MOTOR,12V DC					
		(32810/32811)APU.....	1				
		<i>for APU 32811</i>					
--	32955	END HEAD, 32810 POWER UNIT...1					
		<i>for APU 32811</i>					
--	32959	BALL,CHECK (32810).....	1				
		<i>for APU 32811</i>					
--	32962	GASKET,0.0005,SILVER (32810).....	1				
		<i>for APU 32811</i>					

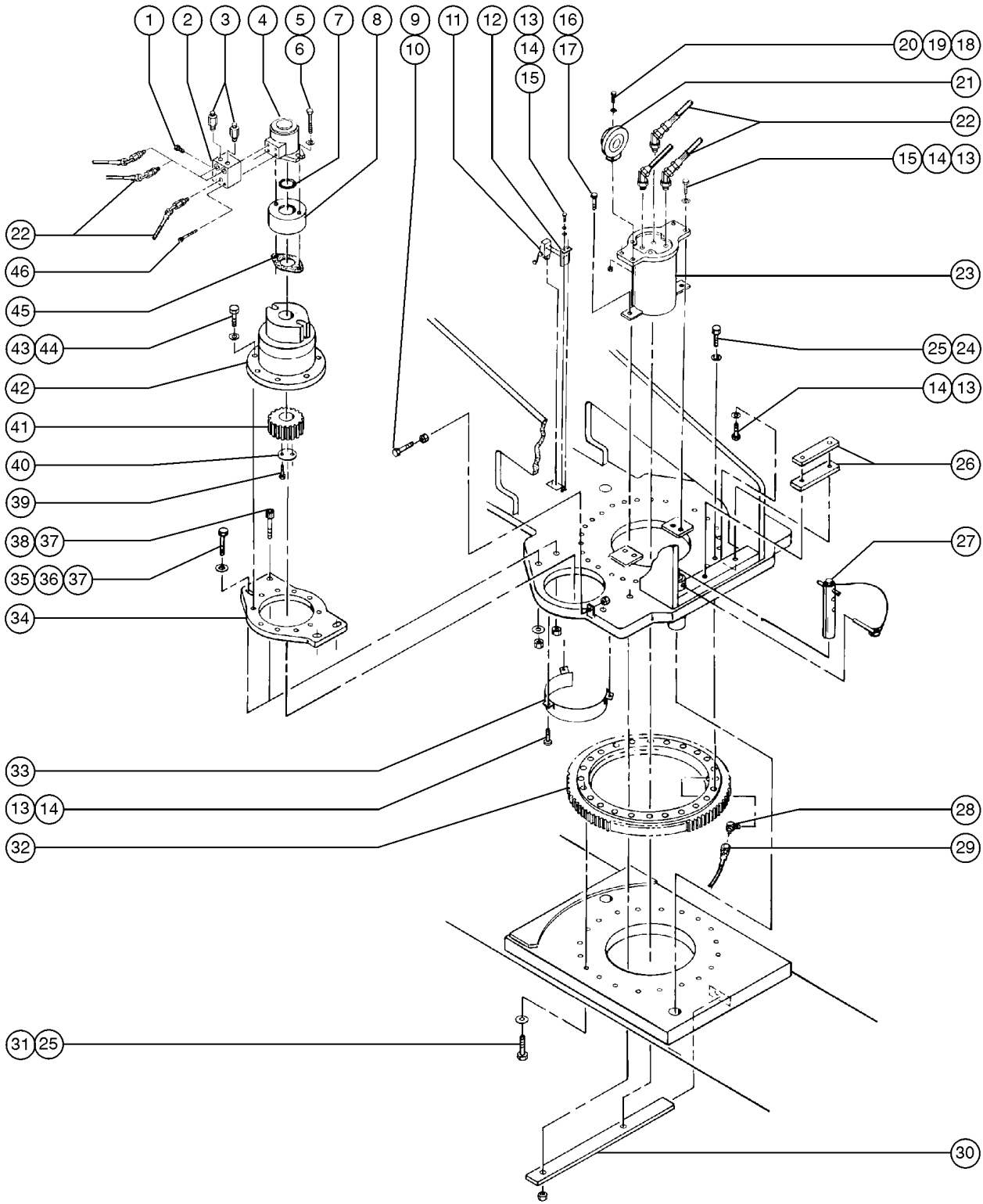
503.1 Function Manifold



503.1 Function Manifold

Item	Part No.	Description	Qty.	Item	Part No.	Description	Qty.
--	25375	SEAL KIT (ALL MANIFOLDS)		20	27801	VALVE,PROPORTIONAL SOLENOID***	2
--	30668	MANIFOLD,FUNCTN S40,S60,S80 <i>does not include index numbers 25, 26 and 28; to SN 1062</i>				<i>includes 1 each index numbers 16 through 19</i>	
--	33994	PLUG AND CAP KIT-SERVICE,37ø**		--	89310	SEAL KIT, SOLENOID VALVE	
--	38919	MANIFOLD, FUNCTION,S60,S80 ** <i>from SN 1063</i>		21	27803	VALVE,SOLENOID	1
1	146165	VALVE KIT,D03.....5 <i>includes 2 each index numbers 9, 10 and 11. seal kit is 65879</i>		--	27814	COIL,SOLENOID,10V	1
--	48648	O-RING, D03 COIL		--	52943	NUT,SOLENOID VALVE	1
2	45916	SCREW,SHC,10-24 X 1.250 (D01).....20		--	74902	SEAL KIT, VALVE	
3	6607	WASHER,LOCK,#10 PLTD.....4		22	31100	VALVE,FLOW REGULATOR 0.6GPM.....2	
4	31262	VALVE,COUNTERBALANCE.....2		--	74902	SEAL KIT, VALVE	
--	110202	SEAL KIT, VALVE, #10		23	27804	VALVE,DIFFERENTIAL SENSING***	1
5	31261	VALVE,COUNTERBALANCE SANDWICH.....1 <i>includes index number 4</i>		--	110201	SEAL KIT, VALVE, #10	
6	27812	SCREW,SHC,10-24 X 3.....4		24	31099	VALVE,FLOW REGULATOR.....1	
7	32661	SCREW,SHC,10-24 X 1 (D01).....4		--	74902	SEAL KIT, VALVE	
8	32662	COVER PLATE (30668).....1		25	48997	NIPPLE,DIAGNOSTIC,#4 PORT***	1
9	223763	COIL WITH DE CONNECTOR.....12 <i>use connector from old coil when replacing.</i>		--	20224	DIAGNOSTIC FEMALE Q-DSCNT	1
10	45914	O-RING, DO1 VALVE.....12		26	48880	CAP,DIAGNOSTIC NIPPLE.....1	
11	33568	NUT, CP521-1 VALVE.....12		27A	32663	VALVE,RELIEF 2600 PSI.....1 <i>S-60 models</i>	
12	110200	SEAL KIT, VALVE, #4		--	110194	SEAL KIT, VALVE, #10	
12	27807	VALVE,CHECK***.....5		27B	35000	VALVE,RELIEF 2900 PSI***.....1 <i>S-65 models</i>	
--	110200	SEAL KIT, VALVE, #4		--	110194	SEAL KIT, VALVE, #10	
13	27802	VALVE,DIFFERENTIAL SENSING***.....2		28	34542	VALVE,FLOW REGULATOR 5.0 GPM.....1 <i>oscillating models</i>	
--	110197	SEAL KIT, VALVE, #10		--	30968	VALVE,FLOW REGULATOR 2.0 GPM.....1 <i>non-oscillating models</i>	
14	33998	VALVE,RELIEF***.....1					
--	74902	SEAL KIT, VALVE					
15	48415	VALVE,RELIEF.....1					
--	74902	SEAL KIT, VALVE					
16	45921	RETAINER-N.C.PROPOR.SOLENOID.2					
17	45921	RETAINER-N.C.PROPOR.SOLENOID.2					
18	45914	O-RING, DO1 VALVE.....2					
19	21935	COIL, 12V, 19972/21623/29069.....2					

504.1 Turntable Rotation and Hydraulic Rotary Coupler Installation



504.1 Turntable Rotation and Hydraulic Rotary Coupler Installation

Item	Part No.	Description	Qty.	Item	Part No.	Description	Qty.
1	45483	VALVE,SHUTTLE***	1	23	44368	HYDRAULIC SWIVEL,9 PORT,S80***	1
2	33446	MANIFOLD ASSY,T.T. (34114) <i>includes index numbers 1 and 3</i>	1			<i>Obtain swivel stamping prior to ordering seal kit</i>	
--	31519	O-RING (2-114)	1	--	33470	SEAL KIT,HYD ROTARY COUPLER <i>for swivel 34203 (with stamp 800145B)</i>	
3	31082	VALVE,COUNTERBALANCE 2500 PSI*	2	--	37405	SEAL KIT,HYD SWIVEL (37402)*** <i>for swivel 37402 (with stamp 800172B)</i>	
4	32952	MOTOR,TURNTABLE ROT.(34114)***	1	--	44612	SEAL KIT,SWIVEL (44368)*** <i>for swivel 44368 (with stamp 800191B)</i>	
--	33445	SEAL KIT,DRIVE MOTOR (32952)	1	24	45495	SCREW,SHC,5/8-11 X 3.00,A574	30
5	13854	SCREW,HHC,1/2-13 X 4.5,GRD.8	2	25	13064	WASHER,FLAT,.625 HARDENED	48
6	13066	WASHER,FLAT,.5 HARDENED	2	26	25635	PAD,NYLON-12 X 2 X 0.625 INCH	2
7	52087	O-RING,2-044 BUNA***	1	27	33471	PIN ASSEMBLY,TURNTABLE ROTAT	1
8	81331	BRAKE,900 IN*LB. <i>includes index numbers 7 and 45</i>	1	--	11637	PIN ASSY, RETAINER, SS I & II	1
--	29291	SEAL KIT,MICO <i>for brake 29422P</i>	1	28	20630	ELBOW,070202-4-4	1
--	29292	BRAKE,LINING KIT,MICO <i>for brake 29422P</i>	1	29	34562	HOSE ASSEMBLY, 177"	1
--	29293	BEARING KIT,MICO <i>for brake 29422P</i>	1	30	34214P	BAR,HYD.SWIVEL MOUNT PAINTED	1
--	65618	SEAL KIT,BRAKE*** <i>for brake 81331</i>		31	20654	SCREW,SHC,5/8-11 X 3.50,A574	18
9	5224	SCREW,HHC,3/8-16 X 2	1	32	30895	BEARING,TURNTABLE	1
10	4828	NUT,NYLOCK,3/8-16	2	33	73862P	FORMING,PINION GUARD,PAINTED	1
11	34961	SWITCH,LIMIT,W/ROLLER ARM	1	34	34762-S	BACKLASH ADJUSTMENT PLATE S60	1
--	19491	CONTACTOR,LIMIT SWITCH	1	35	34347	SCREW,HHC,3/4-10 X 4.5	3
--	27643	ROLLER ARM-LIMIT SWITCH	1	36	33278	WASHER,FLAT,.75 HARDENED	3
12	53632P-S	BRKT,LIM SW,DRIVE ENBL,PAINTED	1	37	10258	NUT,NYLOCK,3/4-10	4
13	6090	SCREW,HHC,1/4-20 X .75	7	38	34710	SCREW,SHS,5/8-11 X 3	1
14	6356	WASHER,LOCK,.25	7	39	6175	SCREW,HHC,3/8-16 X 1	2
15	6638	WASHER,FLAT,USS,1/4"Y	2	40	34766	RETAINER PLATE,PINION GEAR***	1
16	8177	SCREW,HHC,1/2-13 X 1.5	2	41	34606	PINION GEAR (SET)	1
17	6198	NUT,NYLOCK,1/2-13	2	42	29290	SEAL KIT,FAIRFIELD (S1A2)***	1
18	13918	SCREW,HHC,3/8-16 X 1.75,GRD.8	4	42	34761	TORQUE HUB,36:1***	1
19	6097	WASHER,FLAT,USS,3/8",Y	4	43	22788	SCREW,HHC,1/2-13 X 1.75	10
20	4828	NUT,NYLOCK,3/8-16	4	44	6033	WASHER,LOCK,0.5"	10
21	56264	HORN,12V SCREW TERMINAL ***	1	45	19794	GASKET,BRAKE ASSY	1
22		Ref. Hydraulic Hoses & Fittings <i>refer to section 509.1</i>	1				

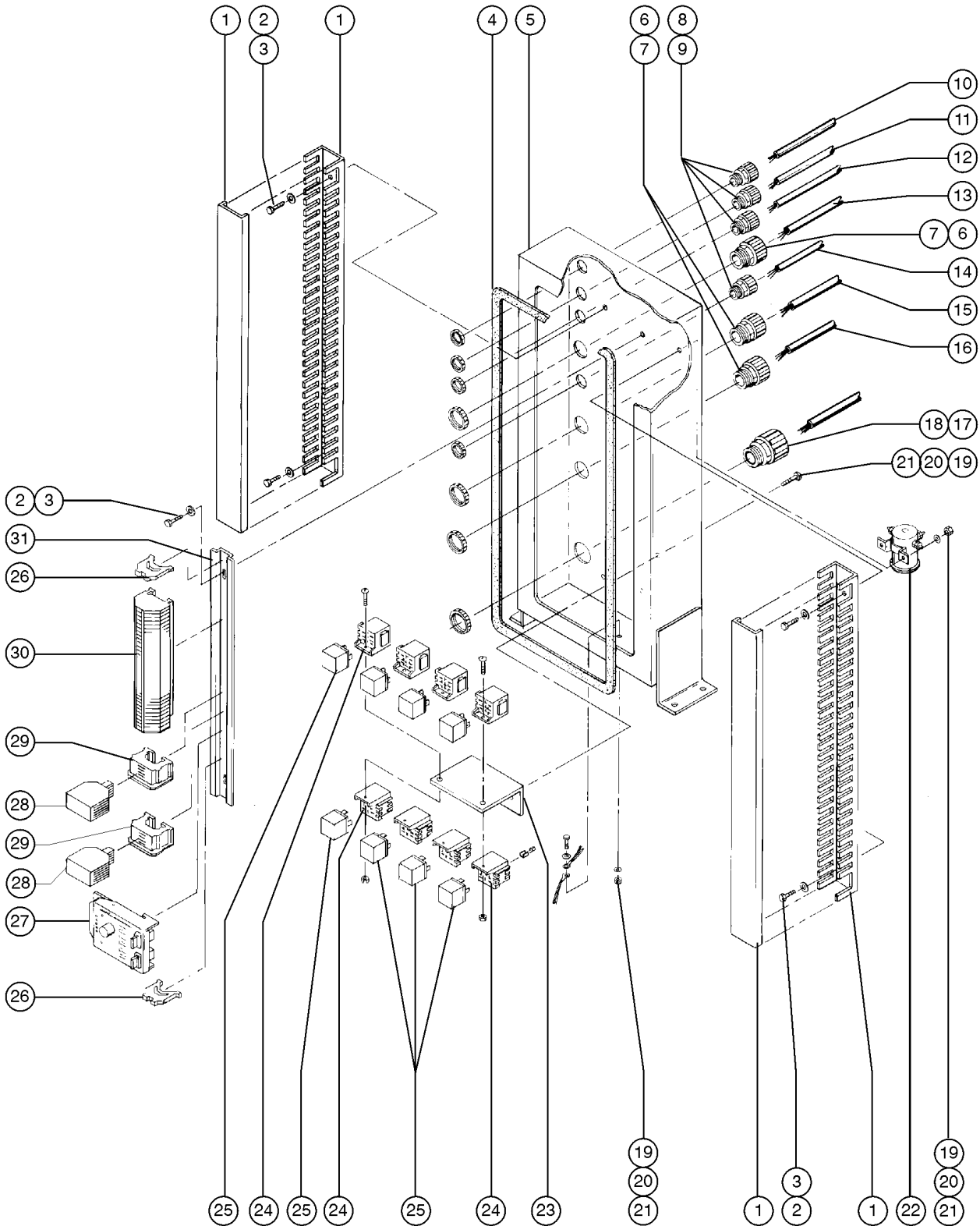
504.1 Turntable Rotation and Hydraulic Rotary Coupler Installation
(continued)

Item	Part No.	Description	Qty.
46		Ref. Screw - SHC, 5/16 -18 x 3 inches.....	4

504.1 Turntable Rotation and Hydraulic Rotary Coupler Installation
(continued)

This Page Intentionally Left Blank

505.1 Ground Controls - View 1

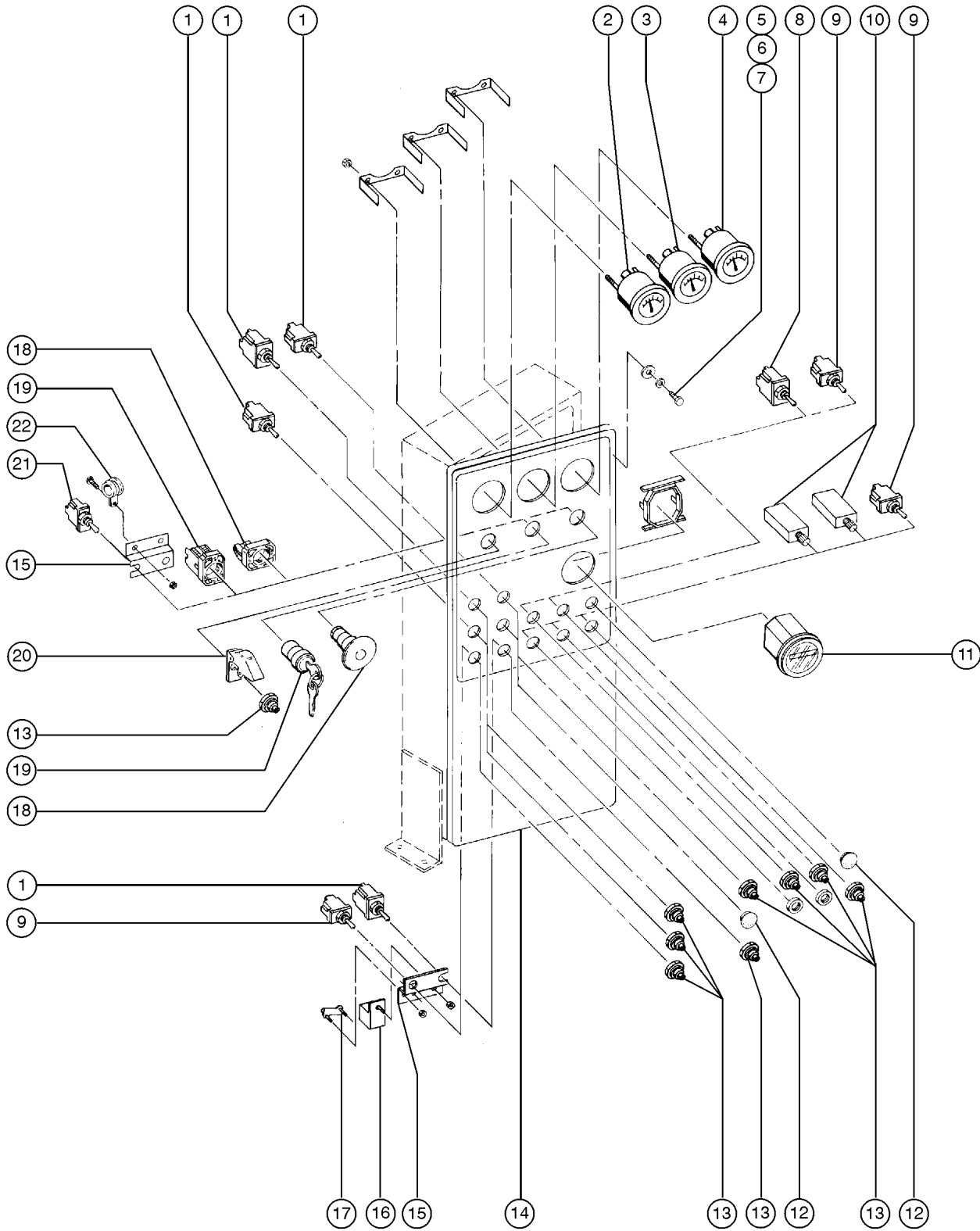


505.1 Ground Controls - View 1

Item	Part No.	Description	Qty.	Item	Part No.	Description	Qty.
--	33996	SCREWDRIVER,TERMINAL BLOCK		21	6091	NUT,NYLOCK,1/4-20.....	5
1	29607	WIRING DUCT/COVER, 1 X 72 IN**.....	46-inches	22	27155	SOLENOID,12V CONTINUOUS***.....	1
2	6090	SCREW,HHC,1/4-20 X .75.....	7	23	34057P	ANGLE,RELAY MOUNTING,PAINTED.....	1
3	6356	WASHER,LOCK,.25.....	6	24	34053	ASSY,RELAY SOCKET, AUTO..... <i>Gasoline/LPG models; terminals not included</i>	8
4	30782	GASKET,GROUND CONTROL BOX.....	1	--	34053	ASSY,RELAY SOCKET, AUTO..... <i>Deutz Diesel models; terminals not included</i>	5
5	33472	CONTROL BOX W/ DECAL,GROUND.....	1	--	34054	TERM,RELAY N-INSULATED 10-12 G.....	5
6	12960	CABLE SQUEEZE CONN.,XTRA LRG.....	3	--	34055	TERM RELAY,N-INSULATE 14-16 GA.....	5
7	14041	LOCKNUT,ELECTRIC,3/4".....	3	--	34056	TERM,RELAY,N-INSULATE 18-20 GA.....	5
8	7056	CONN,SQUEEZE,1/2NPT .38-.50,SM.....	4	25	34052	RELAY,SPDT,12V(AUTO) PLUG IN**.....	8
9	6935	LOCKNUT,ELEC,1/2".....	4	--	34052	RELAY,SPDT,12V(AUTO) PLUG IN**.....	5
10	6562	WIRE CABLE,16/4 SJO,BULK.....	270-inches	26	25974	PLASTIC END STOP.....	2
11	6562	WIRE CABLE,16/4 SJO,BULK.....	270-inches	27	56057	MODULE,IGNITION/START,12/24V.1	
12	6562	WIRE CABLE,16/4 SJO,BULK.....	95-inches	--	33551	FUSE,3 AMP.....	1
13A	35934	WIRE CABLE,18/19 CON.TPRJKT.....	960-inches S-60	28	25807	DIODE BLOCK SUPPRESSION....	2
13B	35934	WIRE CABLE,18/19 CON.TPRJKT.....	1296-inches S-65	29	25808	CARRIER TERMINAL(5 PER BLOCK).....	2
14A	30794	WIRE,12/3 SJEOW,BULK,BLK-WHT-G.960-inches S-60		30	25836	TERMINAL BLOCK(SINGLE),WAGO***.....	50
14B	30794	WIRE,12/3 SJEOW,BULK,BLK-WHT-G.1296-inches S-65		--	45782	DIODE,6 AMP,200 PIV,BULK.....	50
15A	35934	WIRE CABLE,18/19 CON.TPRJKT.....	960-inches S-60	31	28310	DIN RAIL,23.75".....	1
15B	35934	WIRE CABLE,18/19 CON.TPRJKT.....	1296-inches S-65				
16	35934	WIRE CABLE,18/19 CON.TPRJKT.....	68-inches				
17	20776	CABLE SQUEEZE CONN.....	1				
18	18665	LOCKNUT,ELECTRIC,1" NPT.....	1				
19	6888	SCREW,HHC,1/4-20 X 1.....	5				
20	6638	WASHER,FLAT,USS,1/4"Y.....	5				



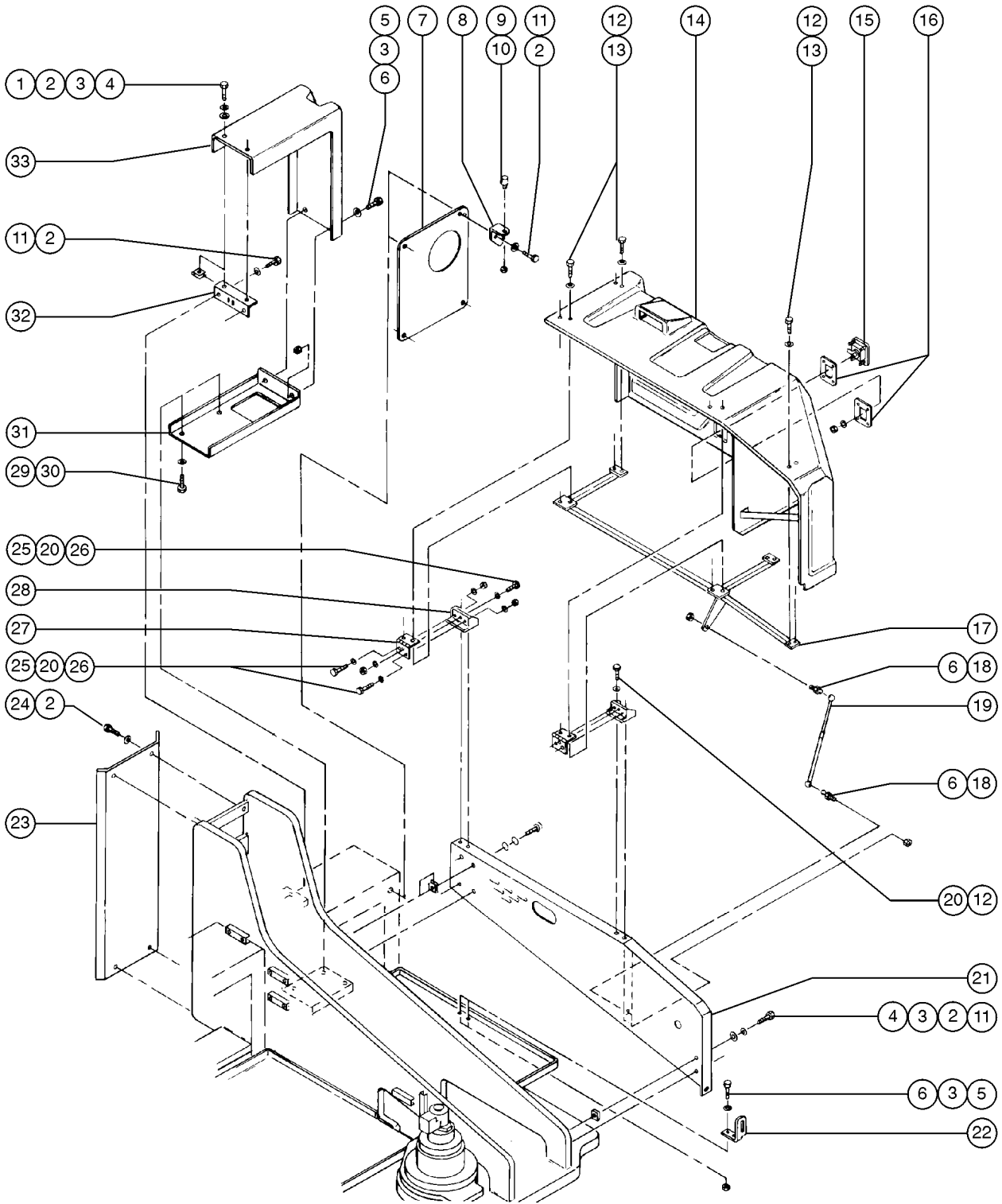
506.1 Ground Controls - View 2



506.1 Ground Controls - View 2

Item	Part No.	Description	Qty.	Item	Part No.	Description	Qty.
1	16397-S	SWITCH,TOGGLE,DPDT,3POS MOMEN.....4 <i>includes mounting fasteners</i>	4	--	66811	KEYSWITCH,3POS.MNTND.DR WKEY**1 <i>includes keyswitch and two keys, not included: base or contacts.</i>	1
2	53759-S	GAUGE,WATER TEMP.....1 <i>includes mounting bracket</i>	1	--	66816	CONTACT,N.O.....1	1
3	53758-S	GAUGE,OIL PRESSURE W/O SENDER.....1 <i>includes mounting bracket</i>	1	--	66821	BASE,WITHOUT CONTACTS.....1	1
4	53761-S	GAUGE,VOLTAGE.....1 <i>includes mounting bracket</i>	1	20	13471	COVER, AUXILIARY POWER SWITCH.....1	1
5	6090	SCREW,HHC,1/4-20 X .75.....3	3	21	13480-S	SWITCH,TOGGLE,DPDT,2POS MOMEN.....1 <i>includes mounting fasteners</i>	1
6	6356	WASHER,LOCK,.25.....3	3	22	13268	CLAMP,0.75,#12 X 1/4,RUB CUSH.....1	1
7	6638	WASHER,FLAT,USS,1/4"Y.....3	3				
8	27378-S	SWITCH,TOGGLE,DPDT,2POS MAINT*1 <i>includes mounting fasteners</i>	1				
9	13037-S	SWITCH,TOGGLE,SPDT,3POS MOMEN*3 <i>includes mounting fasteners</i>	3				
10	147094	ASSY, CIRCUIT BREAKER 15A....2 <i>includes mounting fasteners</i>	2				
11	19506	HOUR METER,10-80 VOLTS***1 <i>includes mounting bracket</i>	1				
12	45384	PLUG,NYLON .50 BLACK DOMED.....2	2				
13	27246	BOOT,TOGGLE SWITCH,SHORT*9	9				
14	33472	CONTROL BOX W/ DECAL,GROUND.....1	1				
--	30782	GASKET,GROUND CONTROL BOX.....1	1				
15	54525	BRACKET-PANEL-WIRE MOUNTING 99.....2	2				
16	19274	RELAY,SPDT,12V(AUTO)**1	1				
17	45836	RESISTOR,15 OHMS,25W.....1	1				
18	122514	KIT,ESTOP SVC BB&SM BOOM....1	1				
--	66812	BUTTON,PUSH,RED MUSHROOM HEAD.....1	1				
--	66818	CONTACT,NC.....2	2				
--	66821	BASE,WITHOUT CONTACTS.....1	1				
19	122512	KIT,KEYSWITCH SVC BB & SM BOOM.....1	1				
--	21982	KEY,SINGLE***1	1				

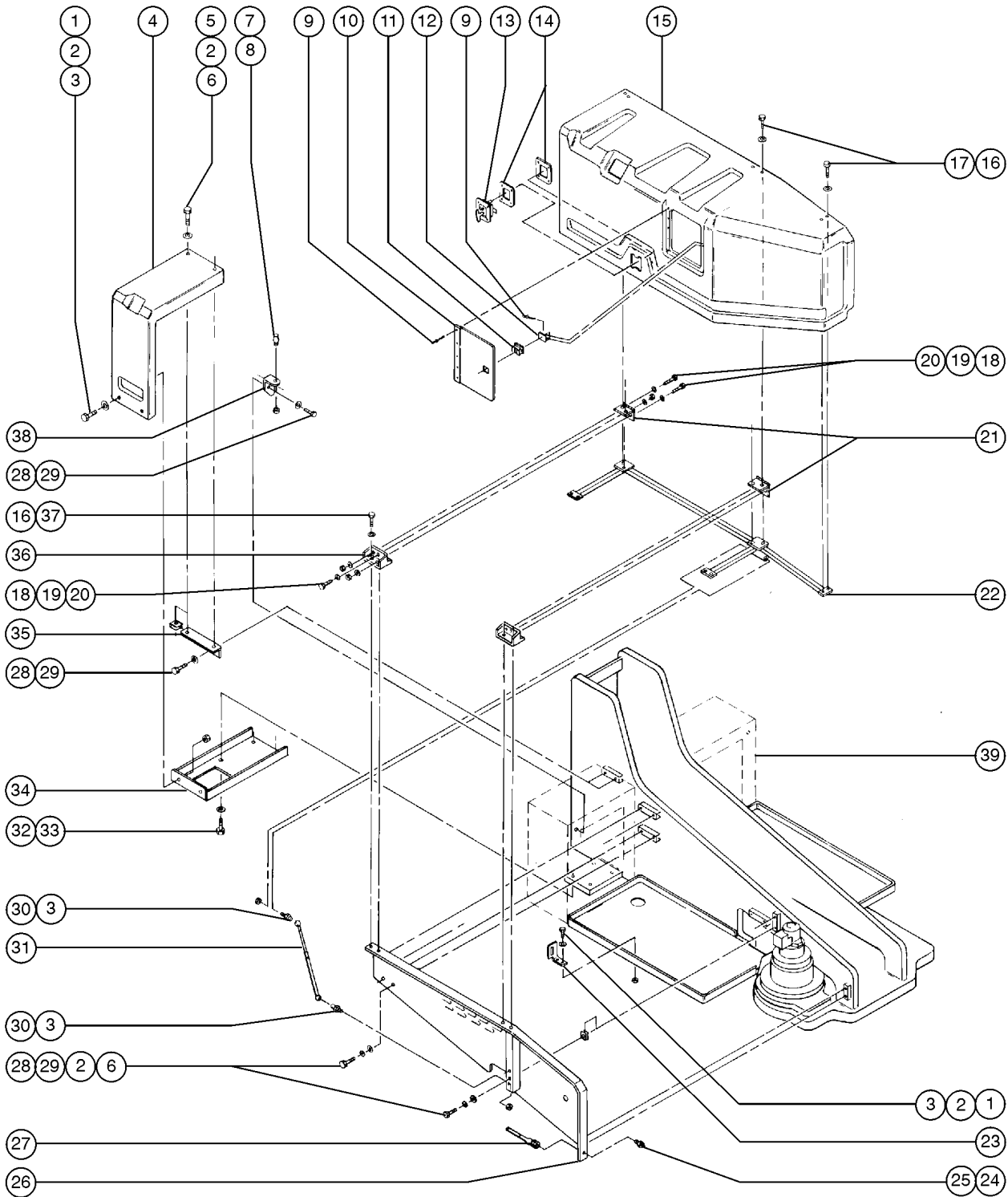
507.1 Turntable Covers - Engine Side



507.1 Turntable Covers - Engine Side

Item	Part No.	Description	Qty.	Item	Part No.	Description	Qty.
1	8516	SCREW,HHC,3/8-16 X 1.50,GR5.....	2	23B	52089	COVER-TURNTABLE W/DECALS S65.....	1
2	6021	WASHER,LOCK, .375.....	18	24	8255	SCREW,HHC,3/8-16 X .75.....	6
3	6097	WASHER,FLAT,USS,3/8",Y.....	11	25	6888	SCREW,HHC,1/4-20 X 1.....	6
4	29868	SPRING CLIP,3/8-16.....	8	26	6091	NUT,NYLOCK,1/4-20.....	6
5	6019	SCREW,HHC,3/8-16 X 1.25 GRD 5.....	3	27	75073	HINGE, .375X.120THK.,SLOTTED...2	
6	4828	NUT,NYLOCK,3/8-16.....	8	28	35949P-S	BRACKET,COVER HINGE,BLUE.....2	
7	30720P	BAFFLE,AIR,FORD,PAINTED.....1 <i>Gasoline/LPG models</i>	1	29	6096	SCREW,HHC,1/2-13 X 2 GR5.....2	
--	30721P	BAFFLE,AIR,DEUTZ,PAINTED.....1 <i>Deutz Diesel models</i>	1	30	6095	WASHER,FLAT,USS,1/2",Y.....2	
8	53033P-S	BRKT,TRNTBL,COV ADJ,RH,PAINTED.....	1	31	34481P	COUNTERWEIGHT TRAY,S60 PAINTED.....	1
9	30973	BUMPER,RUBBER-1 X 1.25.....	1	32	34482P	BRACKET,COVER SUPPORT,S60 PNTD.....	1
10	18504	NUT,LOCKING-LG.FLANGE,1/4-20.1		33	34483	COVER,COUNTERWEIGHT,S60.....1	
11	6175	SCREW,HHC,3/8-16 X 1.....	10				
12	8915	SCREW,HHC,1/4-20 X 1.25.....	12				
13	12906	WASHER,FENDER, .25 X 1.25 X.062.....	6				
14	32758	COVER ASSY,ENGINE,GAS/LPG...1 <i>Gasoline/LPG models; includes index numbers 15 and 16</i>					
--	33554	COVER ASSY, ENG. SIDE DIESEL**.....1 <i>Deutz Diesel models; includes index numbers 15 and 16</i>					
15	28125	LATCH,FLUSH CUP***.....	2				
--	29314	KEY,LATCH, 1 PAIR (28125).....	2				
--	33510	LOCK PLUG ASSY, (28125).....	2				
16	28471	PLATE,SWING COVER LATCH.....	2				
17	30760	COVER SUPPORT WELDMENT RH.....	1				
18	33555	BALL STUD**.....	2				
19	28301	GAS STRUT,250 LBS FORCE***.....	2				
--	27377	RETAINER,GAS SPRING***.....	2				
--	72256	GAS STRUT,CONNECTOR (28301)					
20	6638	WASHER,FLAT,USS,1/4"Y.....	16				
21	30744	COVER SUPPORT WELDMENT RH.....	1				
22	30277P	COVER LATCH ANGLE,PAINTED.....	1				
23A	52088	COVER-TURNTABLE W/DECALS S60.....	1				

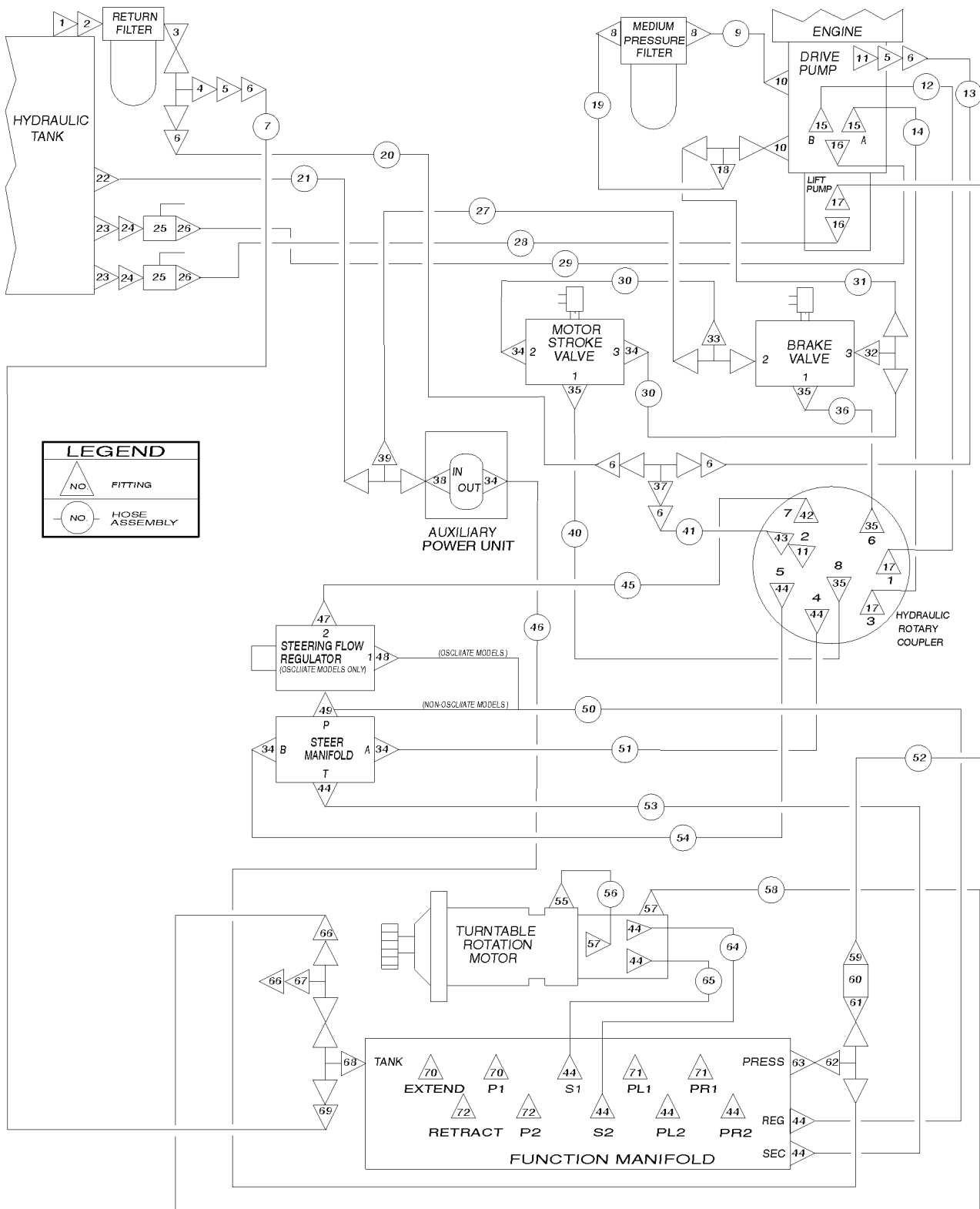
508.1 Turntable Covers - Tank Side



508.1 Turntable Covers - Tank Side

Item	Part No.	Description	Qty.	Item	Part No.	Description	Qty.
1	6019	SCREW,HHC,3/8-16 X 1.25 GRD		31	28301	GAS STRUT,250 LBS FORCE***	2
		5.....	4	--	27377	RETAINER,GAS SPRING***	2
2	6097	WASHER,FLAT,USS,3/8",Y	10	--	72256	GAS STRUT,CONNECTOR (28301)	
3	4828	NUT,NYLOCK,3/8-16.....	6	32	6096	SCREW,HHC,1/2-13 X 2 GR5.....	4
4	34483	COVER,COUNTERWEIGHT,S60.....	1	33	6095	WASHER,FLAT,USS,1/2",Y.....	4
5	8516	SCREW,HHC,3/8-16 X 1.50,GR5.....	2	34	34481P	COUNTERWEIGHT TRAY,S60 PAINTED.....	1
6	29868	SPRING CLIP,3/8-16.....	8	35	34482P	BRACKET,COVER SUPPORT,S60 PNTD.....	1
7	30973	BUMPER,RUBBER-1 X 1.25.....	1	36	35949P-S	BRACKET,COVER HINGE,BLUE.....	2
8	18504	NUT,LOCKING-LG.FLANGE,1/4-20.1		37	6356	WASHER,LOCK,,.25.....	4
9	8920	RIVET,ALUM,ALUM,P. 156 X .375.....	7	38	30965P	BRACKET,T.T.COVER ADJ.LH,PNTD.....	1
10	30751P	COVER,LOWER CONT. BOX PAINTD.....	1	39	30521	COUNTERWEIGHT,CAST,400 LBS.***.....	1
11	30468	LATCH,SLIDE, FLUSH MOUNT STYLE.....	1			<i>to SN 1818</i>	
12	30486	DOOR CATCH,BASE CONTROL BOX.....	1	--	46768	CTWT,CAST,400 LBS,RH <i>from SN 1819</i>	
13	28125	LATCH,FLUSH CUP***.....	2	--	46769	CTWT,CAST,400 LBS,LH <i>from SN 1819</i>	
--	29314	KEY,LATCH, 1 PAIR (28125).....	2				
--	33510	LOCK PLUG ASSY, (28125).....	2				
14	28471	PLATE,SWING COVER LATCH.....	2				
15	32756	COVER ASSY,TANK SIDE,T.TABLE.....	1				
		<i>includes index numbers 9 through 14</i>					
16	8915	SCREW,HHC,1/4-20 X 1.25.....	12				
17	12906	WASHER,FENDER,.25 X 1.25 X.062.....	6				
18	6888	SCREW,HHC,1/4-20 X 1.....	6				
19	6638	WASHER,FLAT,USS,1/4"Y.....	16				
20	6091	NUT,NYLOCK,1/4-20.....	6				
21	75073	HINGE, .375X.120THK.,SLOTTED..	2				
22	30759	COVER SUPPORT WELDMENT LH.....	1				
23	30277P	COVER LATCH ANGLE,PAINTED.....	2				
24	30430	BULKHEAD,FEMALE X 4.....	1				
25	28646	ZERK,GREASE,1/8 NPT.....	1				
26	30743	COVER SUPPORT WELDMENT LH.....	1				
27	34562	HOSE ASSEMBLY, 177".....	1				
28	6175	SCREW,HHC,3/8-16 X 1.....	10				
29	6021	WASHER,LOCK, .375.....	6				
30	33555	BALL STUD**.....	2				

509.1 Hydraulic Hoses and Fittings



509.1 Hydraulic Hoses and Fittings

Item	Part No.	Description	Qty.	Item	Part No.	Description	Qty.
--	33994	PLUG AND CAP KIT-SERVICE,37ø**		19	30861	HOSE ASSEMBLY,36.50".....1 <i>Hose End - Female JIC Swivel, 8-8 (Synflex 3903-08548), Hose End - 90o Female JIC Swivel, 8-8 (Synflex 3903-08648) & Hose - 1/2" Thermoplastic High Pressure (Synflex 3800-08)</i>	
1	30342	ELBOW,140238-16-16.....1	1	20	34565	HOSE ASSEMBLY, 45".....1 <i>Hose - 3/4" Push On (Weatherhead H20112)</i>	
2	30343	NIPPLE,HEX,140137-16.....1	1	21	34559	HOSE ASSEMBLY, 24.5".....1 <i>Hose End - Female JIC Swivel, 6-6 (Synflex 3903-06546), Hose End - 90o Female JIC Swivel, 6-6 (Synflex 3903-06646) & Hose - 3/8" Thermoplastic Medium Pressure (Synflex 3130-06)</i>	
3	27202	ELBOW,070202-12-16.....1	1	22	10355	CONNECTOR,070102-6-6.....1	
4	20326	TEE,RUN,070432-12.....1	1	23	45161P	STRAINER ASSEMBLY,PAINTED.....2	
5	20022	ELBOW,070221-12-12.....2	2	24	27191	ELBOW,140339-16-16.....2	
6	45170	HOSE END,BARBED,SWIVEL,-12-12.....6	6	25	30347	VALVE,BALL,1" MPT X FPT.....2	
7	34563	HOSE ASSEMBLY, 17".....1 <i>Hose - 3/4" Push On (Weatherhead H20112)</i>	1	26	45166	HOSE END,BARBED RIGID-16-16.....2	
8	25951	ELBOW,070220-8-12.....2	2	27	34580	HOSE ASSEMBLY, 54".....1 <i>Hose End - Female JIC Swivel, 6-6 (Synflex 3903-06546), Hose End - 90o Female JIC Swivel, 6-6 (Synflex 3903-06646) & Hose - 3/8" Thermoplastic Medium Pressure (Synflex 3130-06)</i>	
9	30958	HOSE ASSEMBLY,32".....1 <i>Hose End - Female JIC Swivel, 8-8 (Synflex 3903-08548), Hose End - Female JIC Swivel, 8-8 (Synflex 3903-08548) & Hose - 1/2" Thermoplastic High Pressure (Synflex 3800-08)</i>	1	28	34555	HOSE ASSEMBLY, 54".....1 <i>Hose End, 90o Female JIC Swivel, 16-16 (Weatherhead 16U-676) & Hose - 1.0" Suction (Weatherhead H03916)</i>	
10	22665	CONNECTOR,070120-8-10.....2	2	29	34556	HOSE ASSY,50".....1 <i>Hose End, 90o Female JIC Swivel, 16-16 (Weatherhead 16U-676) & Hose - 1.0" Suction (Weatherhead H03916)</i>	
11	19687	CONNECTOR,070120-12-12.....2	2	30	34621	FLARE TUBE ASSEMBLY,SOLENOID.....2	
12	34592	HOSE ASSEMBLY, 40".....1 <i>Hose End - Female JIC Swivel, 12-12 (Weatherhead 43012E-612), Hose End - 90o Female JIC Swivel, 12-12 (Weatherhead 43012E-672) & Hose - 3/4" 4 Spiral High Pressure (Weatherhead H43012)</i>	1	31	34576	HOSE ASSEMBLY, 41".....1 <i>Hose End - Female JIC Swivel, 6-6 (Synflex 3903-06546), Hose End - 90o Female JIC Swivel, 8-6 (Synflex 3903-06648) & Hose - 3/8" Thermoplastic Medium Pressure (Synflex 3130-06)</i>	
13	34566	HOSE ASSEMBLY, 42".....1 <i>Hose - 3/4" Push On (Weatherhead H20112)</i>	1	32	45705	TEE,BRANCH,070429-6-6.....1	
14	34593	HOSE ASSEMBLY, 43.5".....1 <i>Hose End - Female JIC Swivel, 12-12 (Weatherhead 43012E-612), Hose End - 90o Female JIC Swivel, 12-12 (Weatherhead 43012E-672) & Hose - 3/4" 4 Spiral High Pressure (Weatherhead H43012)</i>	1				
15	30831	ELBOW,070320-12-16.....2	2				
16	20709	CONNECTOR,070120-16-16.....2	2				
17	22099	ELBOW,070320-12-12.....3	3				
18	21252	TEE,RUN,070432-8.....1	1				

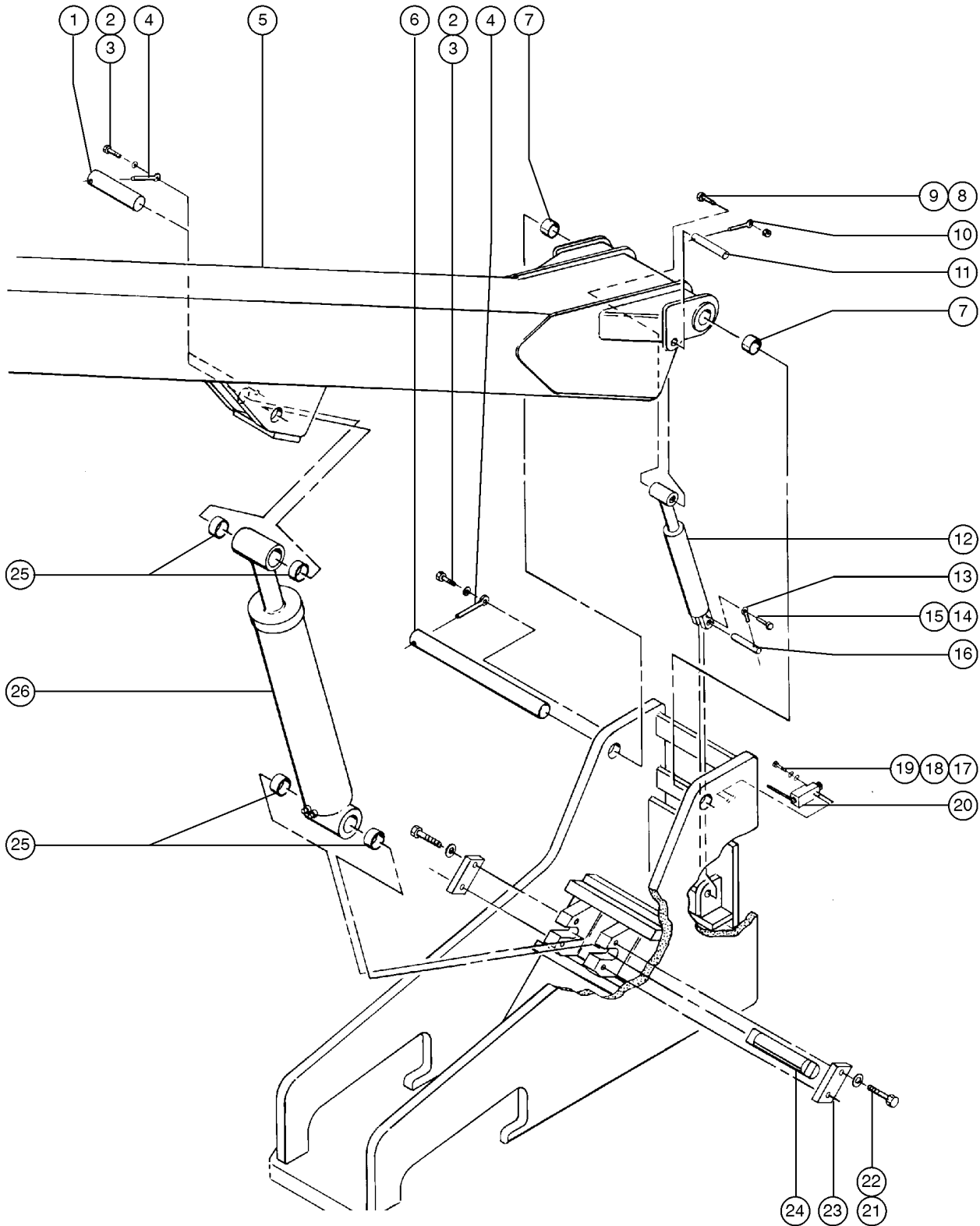
509.1 Hydraulic Hoses and Fittings
(continued)

Item	Part No.	Description	Qty.	Item	Part No.	Description	Qty.
33	37870	FITTING-6 W/.025 ORIFICE.....	1	--	45412	CONNECTOR,070120-6-6.....	1
34	13120	ELBOW,070220-6-6.....	5			<i>non-oscillating models only</i>	
35	13756	CONNECTOR,070120-4-6.....	4	50	34581	HOSE ASSEMBLY, 37.75".....	1
36	34583	HOSE ASSEMBLY, 29.5".....	1			<i>Hose End - Female JIC Swivel, 6-6 (Synflex 3903-06546), Hose End - 90o Female JIC Swivel, 6-6 (Synflex 3903-06646) & Hose - 3/8" Thermoplastic High Pressure (Synflex 3800-06)</i>	
		<i>Hose End - Female JIC Swivel, 4-4 (Synflex 3903-04544), Hose End - 90o Female JIC Swivel, 4 JIC (Synflex 3903-04644) & Hose - 1/4" Thermoplastic Medium Pressure (Synflex 3130-04)</i>		51	34577	HOSE ASSEMBLY, 47".....	1
37	28445	TEE,UNION,070401-12.....	1			<i>Hose End - Female JIC Swivel, 6-6 (Synflex 3903-06546), Hose End - 90o Female JIC Swivel, 6-6 (Synflex 3903-06646) & Hose - 3/8" Thermoplastic High Pressure (Synflex 3800-06)</i>	
38	18687	CONNECTOR,070120-6-8.....	1	52	34557	HOSE ASSEMBLY, 62".....	1
39	45366	TEE,RUN,070432-6-6.....	1			<i>Hose End - 90o Female JIC Swivel, 12-12 (Weatherhead 12U-672), Hose End - Female JIC Swivel, 12-12 (Weatherhead 12U-612) & Hose - 3/4" 3000 PSI (207 bar) (Weatherhead H300-12)</i>	
40	34571	HOSE ASSEMBLY, 37".....	1	53	34584	HOSE ASSEMBLY, 32".....	1
		<i>Hose End - Female JIC Swivel, 4-4 (Synflex 3903-04544), Hose End - Female JIC Swivel, 4-4 (Synflex 3903-04544) & Hose - 1/4" Thermoplastic Medium Pressure (Synflex 3130-04)</i>				<i>Hose End - Female JIC Swivel, 6-6 (Synflex 3903-06546), Hose End - 90o Female JIC Swivel, 6-6 (Synflex 3903-06646) & Hose - 3/8" Thermoplastic High Pressure (Synflex 3800-06)</i>	
41	34564	HOSE ASSEMBLY, 11".....	1	54	34578	HOSE ASSEMBLY, 41".....	1
		<i>Hose - 3/4" Push On (Weatherhead H20112)</i>				<i>Hose End - Female JIC Swivel, 6-6 (Synflex 3903-06546), Hose End - 90o Female JIC Swivel, 6-6 (Synflex 3903-06646) & Hose - 3/8" Thermoplastic High Pressure (Synflex 3800-06)</i>	
42	45412	CONNECTOR,070120-6-6.....	1	55	13921	ELBOW,070220-4-4.....	1
		<i>oscillating models only</i>		56	30867	HOSE ASSEMBLY,16.75".....	1
--	45395	PLUG,HEX HEAD,090109A-6.....	1			<i>Hose End - Female JIC Swivel, 4-4 (Synflex 3903-04544), Hose End - 90o Female JIC Swivel, 8-6 (Synflex 3903-06648) & Hose - 3/8" Thermoplastic High Pressure (Synflex 3800-06)</i>	
		<i>non-oscillating models only</i>		57	13755	CONNECTOR,070120-4-4.....	2
43	20716	ELBOW,070321-12-12.....	1			<i>oscillating models only</i>	
44	45412	CONNECTOR,070120-6-6.....	11			<i>oscillating models only</i>	
45	34567	HOSE ASSEMBLY, 47".....	1			ADAPTER,STR.THRD.TO STR.THRD.....	1
		<i>Hose End - Female JIC Swivel, 6-6 (Synflex 3903-06546), Hose End - 90o Female JIC Swivel, 6-6 (Synflex 3903-06646) & Hose - 3/8" Thermoplastic High Pressure (Synflex 3800-06)</i>				<i>oscillating models only</i>	
46	34828	HOSE ASSY,27.5".....	1				
		<i>Hose End - Female JIC Swivel, 6-6 (Synflex 3903-06546), Hose End - 90° Female JIC Swivel, 8-6 (Synflex 3903-06648) & Hose - 3/8" Thermoplastic High Pressure (Synflex 3800-06)</i>					
47	13120	ELBOW,070220-6-6.....	1				
		<i>oscillating models only</i>					
48	45412	CONNECTOR,070120-6-6.....	1				
		<i>oscillating models only</i>					
49	30877	ADAPTER,STR.THRD.TO STR.THRD.....	1				
		<i>oscillating models only</i>					

509.1 Hydraulic Hoses and Fittings
(continued)

Item	Part No.	Description	Qty.
58	34560	HOSE ASSEMBLY, 18.5".....1 <i>Hose End - Female JIC Swivel, 4-4 (Synflex 3903-04544), Hose End - 90o Female JIC Swivel, 4 JIC (Synflex 3903-04644) & Hose - 1/4" Thermoplastic Medium Pressure (Synflex 3130-04)</i>	
59	29897	ELBOW,070320-12-8.....1	
60	31798	VALVE,CHECK,#8 O-RING PORTS.....1	
61	31797	ADAPTER,6402-8-8.....1	
62	22540	TEE,BRANCH,070429-8-8.....1	
63	27192	ADAPTER,O-RING,G6410-10-8.....1	
64	34575	HOSE ASSEMBLY, 14.5".....1 <i>Hose End - Female JIC Swivel, 6-6 (Synflex 3903-06546), Hose End - 90o Female JIC Swivel, 6-6 (Synflex 3903-06646) & Hose - 3/8" Thermoplastic High Pressure (Synflex 3800-06)</i>	
65	34574	HOSE ASSEMBLY, 16".....1 <i>Hose End - Female JIC Swivel, 6-6 (Synflex 3903-06546), Hose End - 90o Female JIC Swivel, 6-6 (Synflex 3903-06646) & Hose - 3/8" Thermoplastic High Pressure (Synflex 3800-06)</i>	
66	30876	REDUCER,070123-10-4.....2	
67	22975	TEE,RUN,070432-10.....1	
68	30875	TEE,BRANCH,070429-10-10.....1	
69	30951	HOSE END,BARBED,SWIVEL,-12-10.....1	
70	32156	CONNECTOR,070122-8-8.....2	
71	45412	CONNECTOR,070120-6-6.....2	
72	45703	CONNECTOR,070120-8-8.....2	

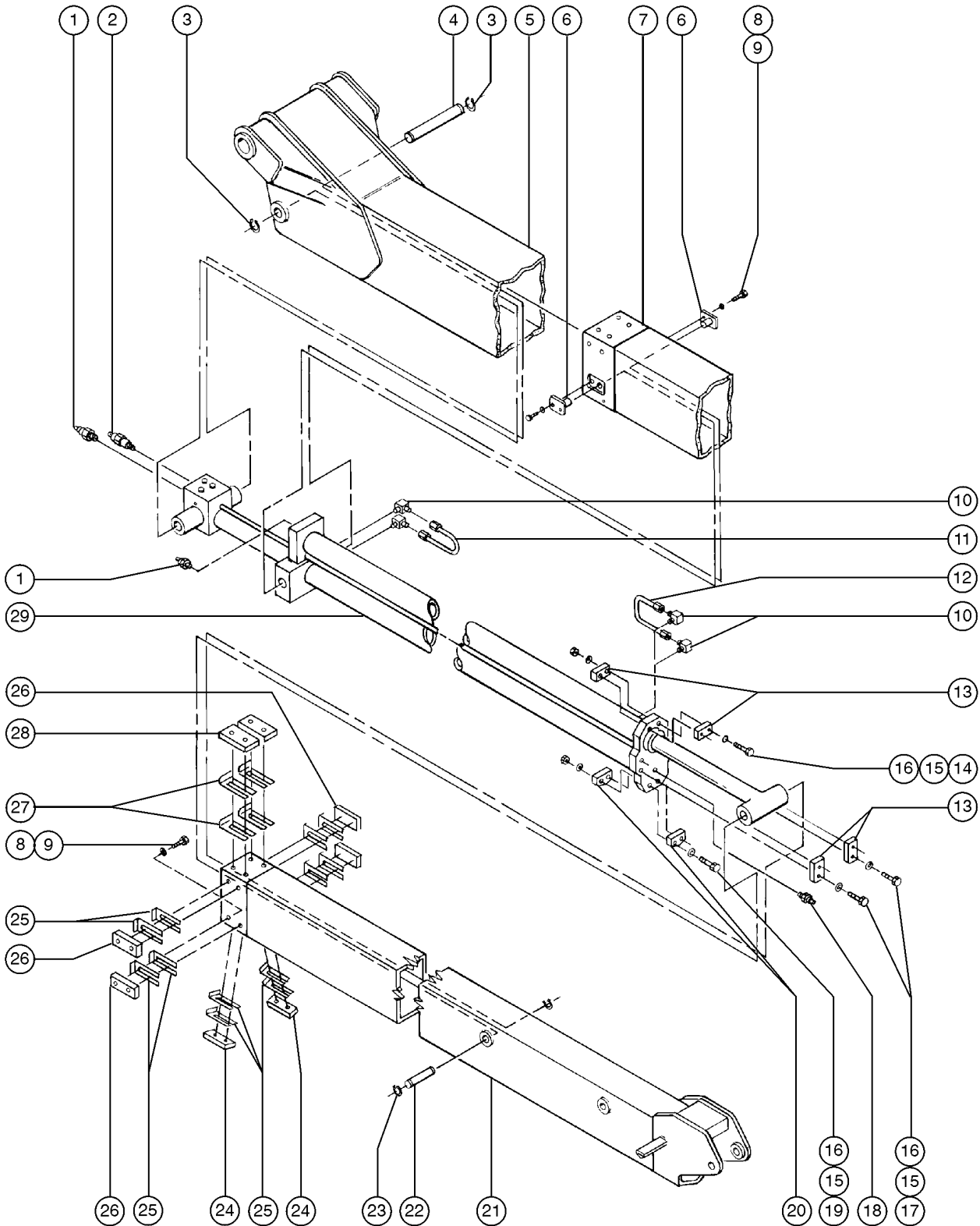
601.1 Boom Lift and Master Leveling Cylinder Installation



601.1 Boom Lift and Master Leveling Cylinder Installation

Item	Part No.	Description	Qty.	Item	Part No.	Description	Qty.
1	34269	PIN,2.50DIAX13.75LG,1HOLE.....	1	--	33895	SEAL KIT,HYD.CYL. 34422.....	1
2	8177	SCREW,HHC,1/2-13 X 1.5.....	2				
3	6033	WASHER,LOCK,0.5".....	3				
4	30418	ROD END,.50 X 4.....	2				
5		Ref. Boom Installation..... <i>refer to sections 602.1 and 603.1</i>	2				
6	34271	PIN,2.50DIAX29.13LG,1HOLE.....	1				
7	34131	BEARING,2.50IDX3.00ODX2.00L....	2				
8	8516	SCREW,HHC,3/8-16 X 1.50,GR5.....	1				
9	4828	NUT,NYLOCK,3/8-16.....	1				
10	45226	ROD END,.375 X 3.69.....	1				
11	34270	PIN,1.25DIAX6.62LG,1HOLE.....	1				
12	63209	CYLINDER,MASTER***.....	1				
--	25683	BEARING,POLYGON,20DU12.....	1				
--	33487	SEAL KIT,HYDRAULIC CYLINDER***..... <i>For cylinder 34118; check cylinder part number stamp or label prior to ordering</i>	1				
--	63349	SEAL KIT,CYL (63209)..... <i>For cylinder 63209; check cylinder part number stamp or label prior to ordering</i>	1				
13	25284	ROD END,.375 X 2.25***.....	1				
14	6175	SCREW,HHC,3/8-16 X 1.....	1				
15	6021	WASHER,LOCK,.375.....	1				
16	34276	PIN,1.25DIAX3.37LG,1HOLE.....	1				
17	16486	SCREW,RHM,10-32 X 1.75.....	2				
18	6607	WASHER,LOCK,#10 PLTD.....	2				
19	6146	WASHER,FLAT,MS,#10,Y.....	2				
20	88356-127J5	SWITCH,LIMIT,W/6.25"SPRING ARM.....	1				
--	106433	LS SPRING WAND (ZCY91)					
--	19491	CONTACTOR,LIMIT SWITCH					
21	33557	SCREW,HHC,3/4-10 X 2.00,GR5.....	4				
22	34550	WASHER,LOCK,.75 PLTD.....	4				
23	33822P	PIN RETAINER,PRI.CYL.BLUE.....	2				
24	33823	PIN,PRI.CYL./SWING CHASSIS.....	1				
25	33505	BEARING,GARLOCK,40DU26.....	4				
26	35657	CYLINDER,LIFT,S60 BOBALEE**... <i>includes index number 25</i>	1				
--	33428	VALVE,COUNTERBALANCE.....	1				

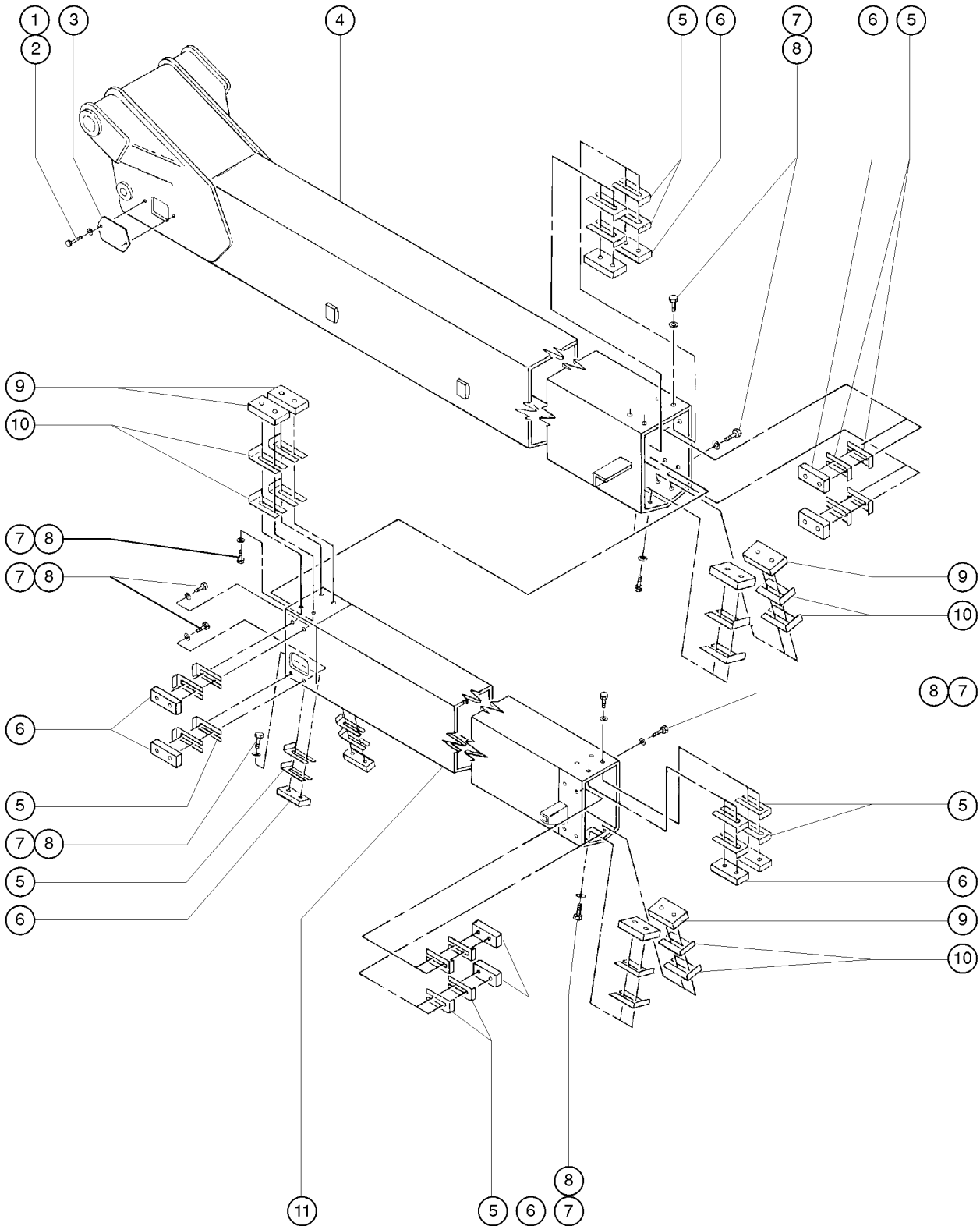
602.1 Boom Installation - View 1



602.1 Boom Installation - View 1

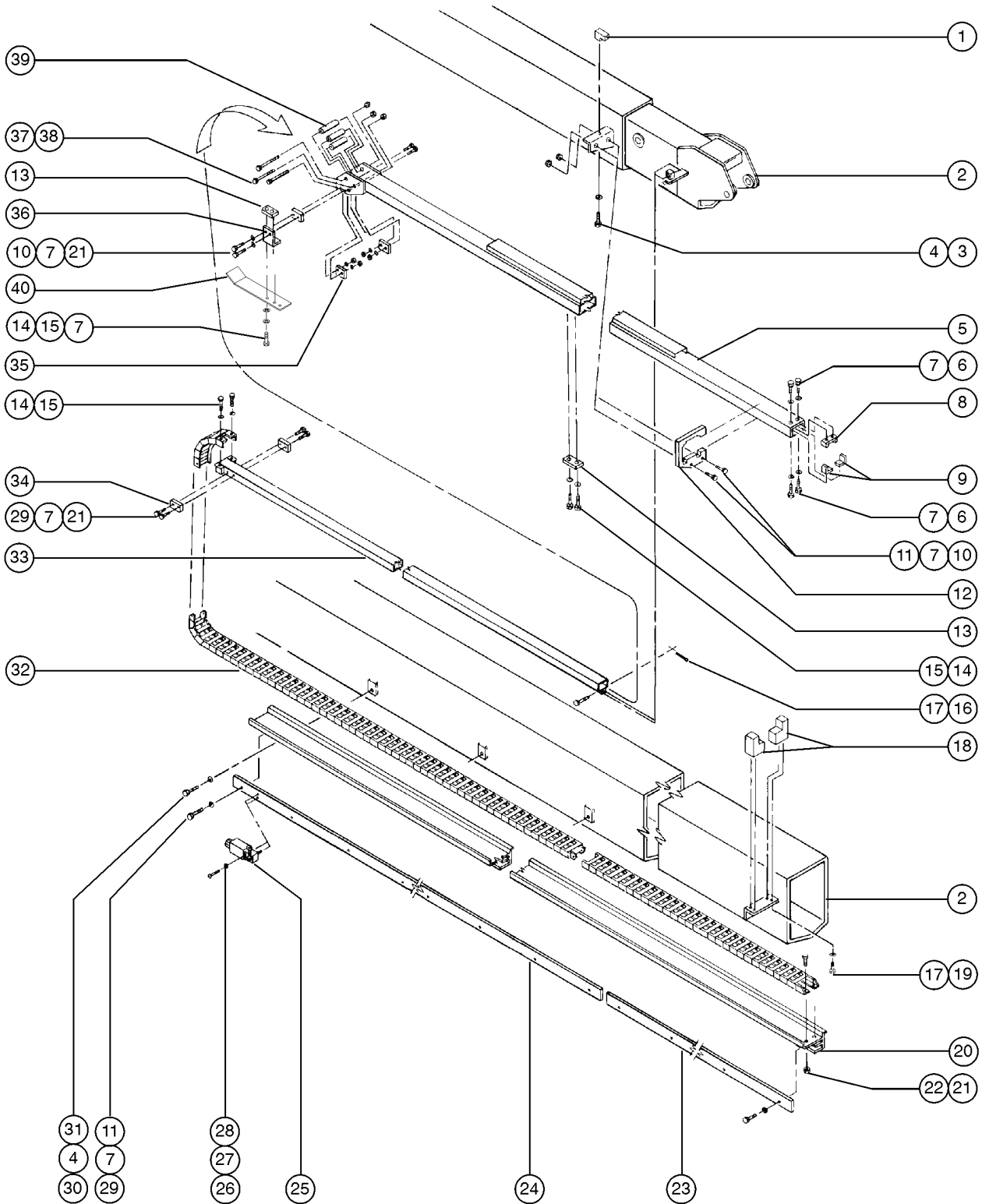
Item	Part No.	Description	Qty.	Item	Part No.	Description	Qty.
1	36188	VALVE,COUNTERBALCACA-LHN@2000.2		29	63201	EXTENSION CYLINDER ASSY.S60**.....1	1
--	43018	SEAL KIT (39345)				<i>includes index numbers 1, 2, 10 through 12 and 18</i>	
2	36207	VALVE,COUNTERBALCWCA-LHN@2000.1		--	33500	SEAL KIT,HYDRAULIC CYLINDER.....1	1
--	62449	SEAL KIT,SUN "CWCA" CB VALVES*				<i>for cylinder assembly 34712</i>	
3	18383	SNAP RING,EXTERNAL,1.5 DIA***.....2	2	--	33501	SEAL KIT,HYDRAULIC CYLINDER.....1	1
4	34268	PIN,1.50DIAX14.41LG,2RING.....1	1			<i>for cylinder assembly 34712</i>	
5	33947	BOOM TUBE ASSEMBLY.....1	1	--	33896	CYLINDER, EXTENSION, TOP.....1	1
6	34170-S	EXT.CYL.MOUNTING PIN WLDMT.....2	2			<i>for cylinder assembly 34712</i>	
7	34429	WELD,BOOM,#2,V-BOTTOM.....1	1	--	33897	CYLINDER, EXTENSION, BOTTOM.....1	1
8	6175	SCREW,HHC,3/8-16 X 1.....18	18			<i>for cylinder assembly 34712</i>	
9	6021	WASHER,LOCK,.375.....18	18	--	63340	SEAL KIT,CYL,S60 (63201)***	
10	13921	ELBOW,070220-4-4.....4	4			<i>for cylinder assembly 63201</i>	
11	34741	FLARE TUBE ASSY,EXT.CYLINDER.....1	1	--	63341	SEAL KIT,CYL,S60 (63201)***	
12	34736	FLARE TUBE ASSY,EXT.CYLINDER.....1	1			<i>for cylinder assembly 63201</i>	
13	34165	WEAR PAD,EXTENSION CYLINDER.....4	4				
14	6884	SCREW,HHC,1/4-20 X 2.5.....2	2				
15	6638	WASHER,FLAT,USS,1/4"Y.....8	8				
16	6889	NUT,LP NYLOCK,1/4-20.....8	8				
17	4266	SCREW,HHC,1/4-20 X 2.....4	4				
18	33494	VALVE,SEQUENCE.....1	1				
--	43018	SEAL KIT (39345)					
19	8179	SCREW,HHC,1/4-20 X 2.25.....2	2				
20	53036	WEAR PAD,EXTENSION CYLINDER.....2	2				
21	227149	ASSY,S60/65 BOOM TUBE,V-BOTTOM.....1	1				
22	T108079	PIN,1.25DIAX8.30LG,2RING.....1	1				
23	30217	SNAP RING,EXTERNAL,1.25 DIA.**.....2	2				
24	30138	WEAR PAD,5 X 1.5 X .625 W/NUTS.....2	2				
25	29080	SHIM,WEAR PAD,5X 1.5 16GA					
26	34125	WEAR PAD,5 X 1.5 X .75 W/NUTS.....4	4				
27	34344	SHIM,SIDE PAD 16GA. 3 X 5					
28	34124	WEAR PAD,5 X 3 X .625 W/INSER.....2	2				

603.1 Boom Installation - View 2



Item	Part No.	Description	Qty.
1	6090	SCREW,HHC,1/4-20 X .75.....	4
2	6356	WASHER,LOCK,.25.....	4
3	34284P	COVER,BOOM SECTION #1 PNTD.....	2
4	33947	BOOM TUBE ASSEMBLY.....	1
5	29080	SHIM,WEAR PAD,5X 1.5 16GA	
6	30138	WEAR PAD,5 X 1.5 X .625 W/NUTS.....	18
7	6175	SCREW,HHC,3/8-16 X 1.....	48
8	6021	WASHER,LOCK,.375.....	48
9	34124	WEAR PAD,5 X 3 X .625 W/INSER.....	2
10	34344	SHIM,SIDE PAD 16GA. 3 X 5	
11	34429	WELD,BOOM,#2,V-BOTTOM.....	1

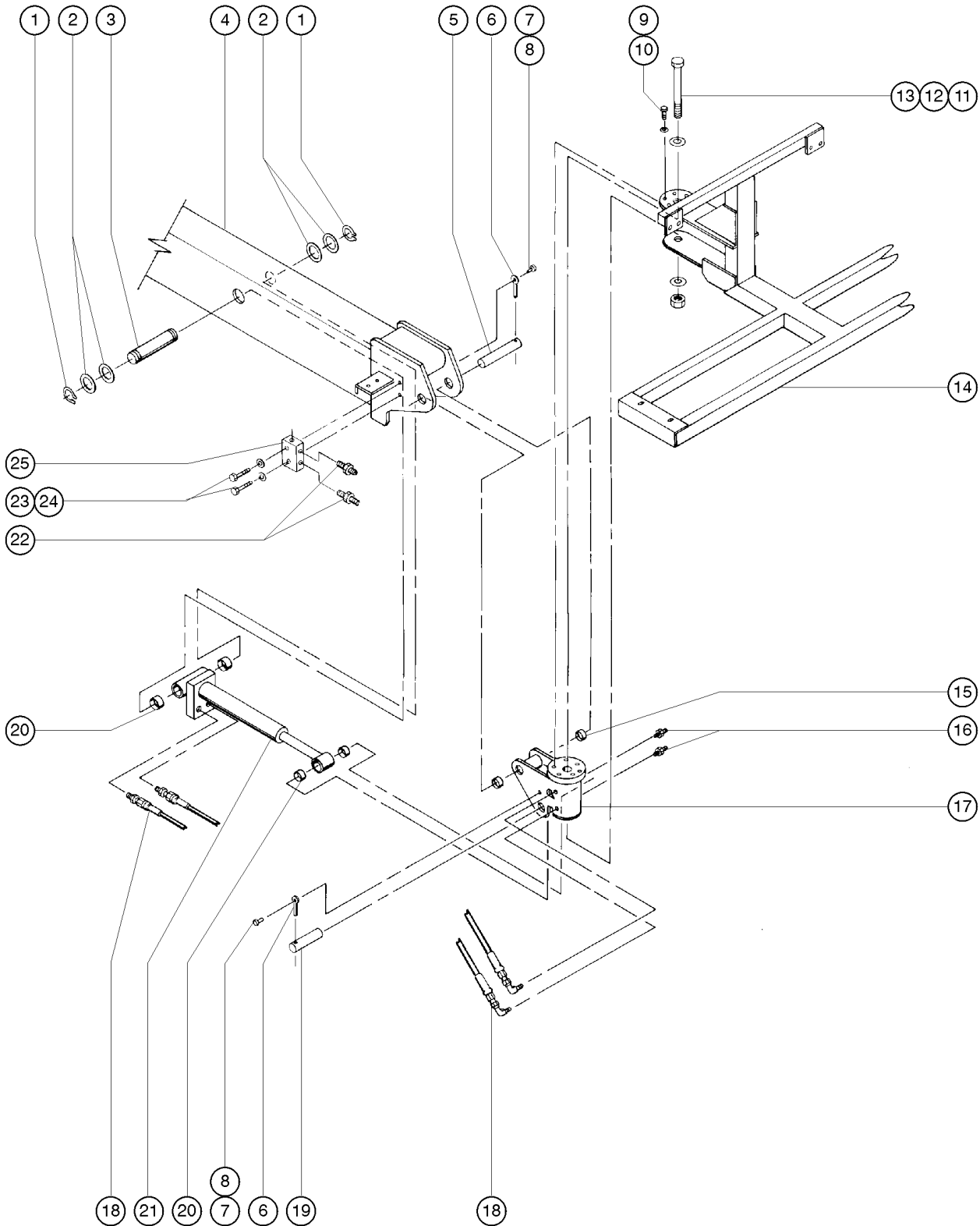
604.1 Cable Track Installation



604.1 Cable Track Installation

Item	Part No.	Description	Qty.	Item	Part No.	Description	Qty.
1	34394	WEAR PAD,BOTTOM,CABLE TRACK.....	1	28	6146	WASHER,FLAT,MS,#10,Y.....	2
2		Ref. Boom Installation..... <i>refer to sections 602.1 and 603.1</i>	1	29	6090	SCREW,HHC,1/4-20 X .75.....	16
3	13918	SCREW,HHC,3/8-16 X 1.75,GRD.8.....	1	30	8255	SCREW,HHC,3/8-16 X .75.....	6
4	6021	WASHER,LOCK,.375.....	6	31	6097	WASHER,FLAT,USS,3/8",Y.....	5
5	34660-S	CABLE TRACK TUBE WELDMENT S60.....	1	32	43483	TRACK,STEEL CABLE,86 LINKS***	1
6	6888	SCREW,HHC,1/4-20 X 1.....	4	--	41621	KIT,CABLE TRACK UPDATE***	1
7	6638	WASHER,FLAT,USS,1/4"Y.....	26	--	43935	KIT,STEEL CABLE TRACK,S60***	1
8	30750	WEAR PAD,CABLE TRACK TUBE.....	1			<i>for replacing plastic cable track</i>	
9	34393	WEAR PAD,CORNER,CABLE TRACK.....	2	33	43853-S	EXU.,CABLE TRK.SUPPT,210"DRIL *	1
10	6637	SCREW,HHC,1/4-20 X 1.75.....	4	--	27258	TRIM,RUBBER EDGE,5/8 (BY INCH).....	1
11	6091	NUT,NYLOCK,1/4-20.....	16	--	37047	CABLE TRACK SUPORT TUBE ASSY** <i>95 version</i>	
12	34323	WEAR PAD,CABLE TRACK.....	1	34	31411	WEAR PAD,CABLE TRACK.....	2
13	45209	WEAR PAD,4X2X.5 W/INSERT***	2	35	30749	WEAR PAD,CABLE TRACK TUBE.....	3
14	8914	SCREW,HHC,1/4-20 X .625.....	6	36	34680P	ANGLE,CABLE TRACK TUBE PAINTED.....	1
15	6356	WASHER,LOCK,.25.....	8	37	22832	SCREW,HHC,3/8-16 X 6.....	3
16	5361	PIN,COTTER,.125 X 1.5.....	1	38	7713	NUT,LP NYLOCK,3/8-16.....	3
17	34746	PIN,CLEVIS,.50 X 2.00 LG.....	1	39	34243-500	TUBE,UHMW, 1 X .25.....	3
18	34636	WEAR PAD,CABLE TRCK OUTER TUBE.....	2	40	36204P-S	BRACKET,LIMIT SWITCH EXT,BLUE*	1
19	8179	SCREW,HHC,1/4-20 X 2.25.....	4				
20	33052-S	CABLE TRACK TRAY,DRILLED,S60**	1				
--	27258	TRIM,RUBBER EDGE,5/8 (BY INCH) <i>order as needed</i>					
21	6889	NUT,LP NYLOCK,1/4-20.....	8				
22	7339	SCREW,HHC,1/4-20 X .5.....	2				
23	33054-S	COVER,CABLE TRACK TRAY,S60,'95.....	2				
24	33053-S	COVER,CABLE TRACK TRAY,S60,95'.....	1				
25	88356-11103	SWITCH,LIMIT,W/RLR ARM,NO/NC.....	1				
--	19491	CONTACTOR,LIMIT SWITCH.....	1				
--	89756	NECK/HEAD-LIMIT SWITCH (88356)					
--	97128	ROLLER ARM,LIMIT SWITCH***	1				
26	16486	SCREW,RHM,10-32 X 1.75.....	2				
27	6607	WASHER,LOCK,#10 PLTD.....	2				

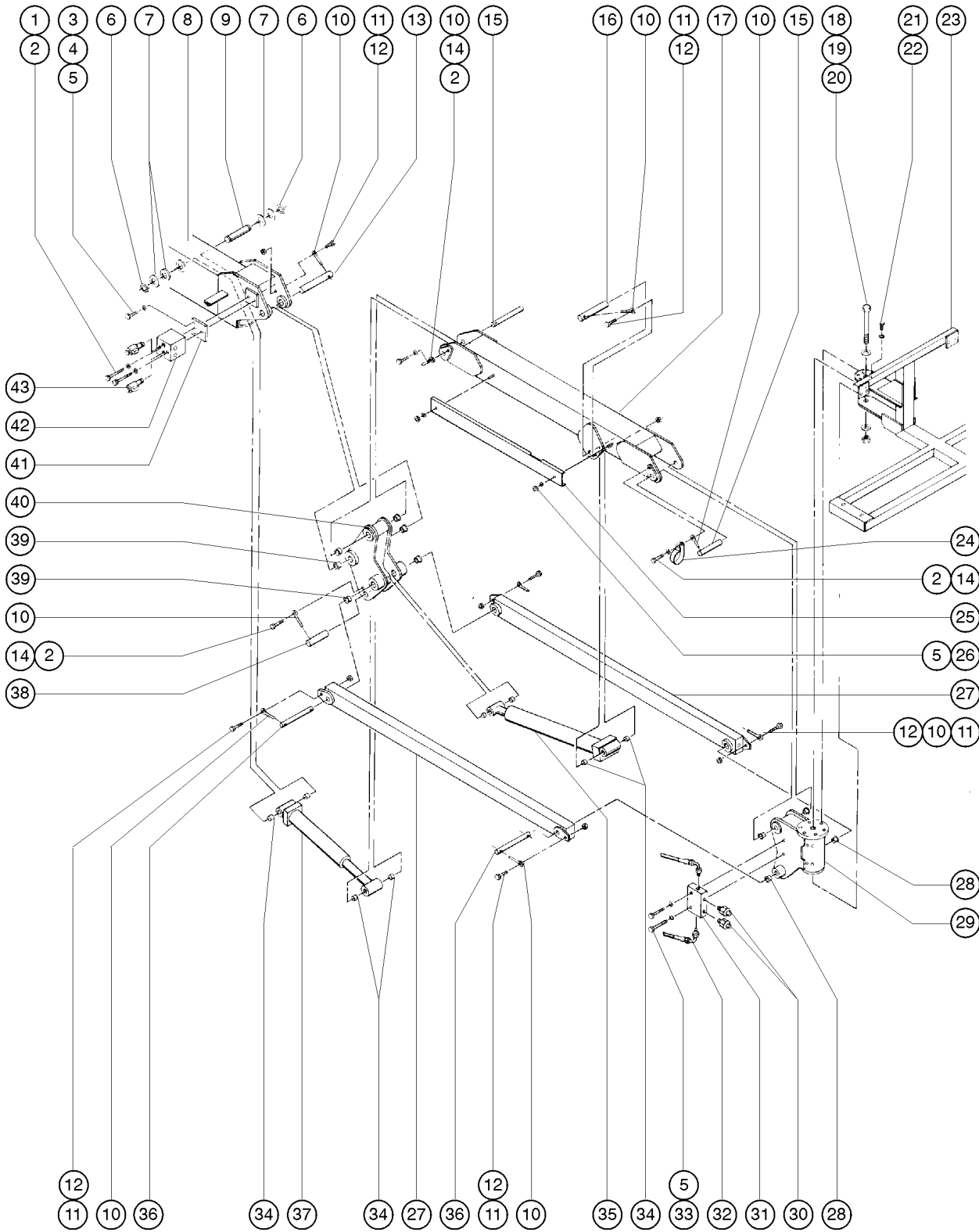
605.1 Slave Cylinder and Platform Rotator



605.1 Slave Cylinder and Platform Rotator

Item	Part No.	Description	Qty.
1	30217	SNAP RING,EXTERNAL,1.25 DIA.**.....	2
2	30255	WASHER,SHIM,1.27 X 2.13 X .062.....	4
3	T108079	PIN,1.25DIA X 8.30LG,2RING.....	1
4		Ref. Boom Installation..... <i>refer to sections 602.1 and 603.1</i>	1
5	T108078	PIN,1.25DIA X 9.50LG,1HOLE.....	1
6	45226	ROD END,.375 X 3.69.....	2
7	8516	SCREW,HHC,3/8-16 X 1.50,GR5....	2
8	4828	NUT,NYLOCK,3/8-16.....	2
9	10597	SCREW,HHC,1/2-13 X 1.25 GR5....	6
10	6033	WASHER,LOCK,0.5".....	6
11	30286	SCREW,HHC,1-8 X 12IN GRD.2***.....	1
12	122079	WASHER,FLAT,1.000,HARDENED..	2
13	29764	NUT,NYLOCK,1-8.....	1
14	50144-S	PLATFORM SUPPORT WELDMENT***.....	1
15	30219	BEARING,FL,1.25ID X 1.41OD X 1.....	2
16	13852	VALVE ASSY,BLEED***.....	2
17	77874	ROTATOR ASSEMBLY,8.2K***..... <i>includes index number 15 (non-jib models)</i>	1
--	31498	BEARING KIT,ROTATOR,9K***	
--	65842	SEAL KIT,UNIVERSAL,9K ROTATOR*	
18		Ref. Hydraulic Hoses & Fittings..... <i>refer to section 607.1</i>	2
19	T108075	PIN,1.25DIA X 5.25LG,1HOLE.....	1
20	25683	BEARING,POLYGON,20DU12.....	4
21	63210	CYLINDER,SLAVE,3 X 11.38***..... <i>includes index number 20</i>	1
--	33487	SEAL KIT,HYDRAULIC CYLINDER***.....	1
--	33488	VALVE,COUNTERBALANCE.....	1
22	32722	VALVE,COUNTERBALCBCG-LJN@3000.	2
23	6637	SCREW,HHC,1/4-20 X 1.75.....	2
24	6638	WASHER,FLAT,USS,1/4"Y.....	2
25	30823	VALVE,DUAL CB MANIFOLD..... <i>includes index number 22</i>	1

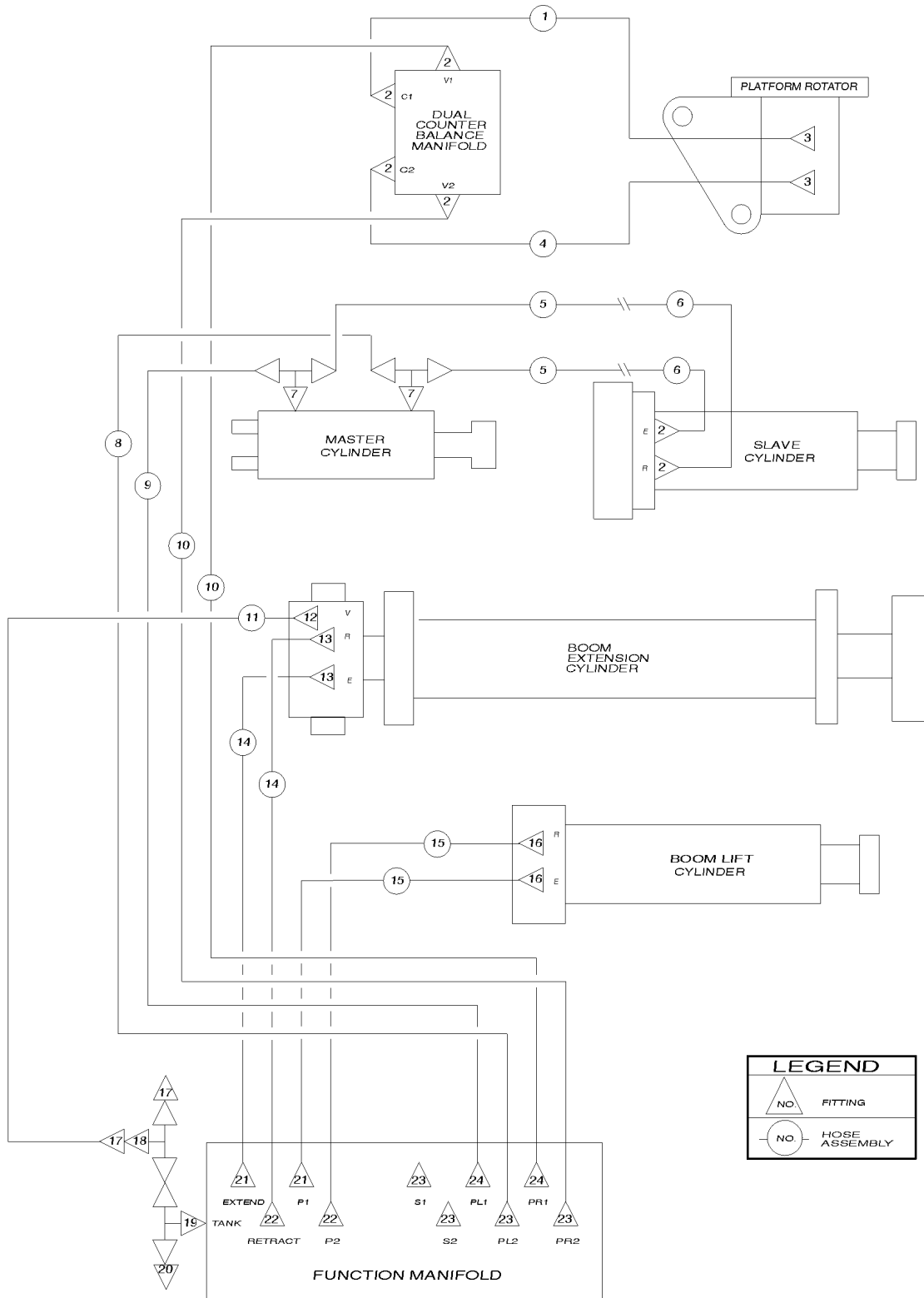
606.1 Jib Boom and Platform Rotator



606.1 Jib Boom and Platform Rotator

Item	Part No.	Description	Qty.	Item	Part No.	Description	Qty.
1	21604	SCREW,HHC,3/8-16 X 3.25.....	2	--	13852	VALVE ASSY,BLEED***.....	2
2	6021	WASHER,LOCK,.375.....	5	--	31498	BEARING KIT,ROTATOR,9K*** <i>for rotator 30947P</i>	
3	6090	SCREW,HHC,1/4-20 X .75.....	2	--	62417	SEAL KIT,PLAT ROTATE*** <i>for rotator 77875</i>	
4	6356	WASHER,LOCK,.25.....	2	--	65842	SEAL KIT,UNIVERSAL,9K ROTATOR* <i>for rotator 30947P</i>	
5	6638	WASHER,FLAT,USS,1/4"Y.....	6	30	32722	VALVE,COUNTERBALCBCG-LJN@3000.2	
6	30217	SNAP RING,EXTERNAL,1.25 DIA.**.....	2	31	30823	VALVE,DUAL CB MANIFOLD.....1 <i>includes index number 30</i>	
7	30255	WASHER,SHIM,1.27 X 2.13 X .062.....	4	32		Ref. Hydraulic Hoses & Fittings.....1 <i>refer to section 608.1</i>	
8		Ref. Boom Installation.....1 <i>refer to sections 602.1 or 603.1</i>	1	33	6637	SCREW,HHC,1/4-20 X 1.75.....	2
9	T108079	PIN,1.25DIAX8.30LG,2RING.....	1	34	25683	BEARING,POLYGON,20DU12.....	8
10	45226	ROD END,.375 X 3.69.....	9	35	63213	CYLINDER,JIB (STICK BOOMS).....1 <i>includes 4 each index number 34</i>	
11	8516	SCREW,HHC,3/8-16 X 1.50,GR5.....	6	--	33428	VALVE,COUNTERBALANCE.....	1
12	4828	NUT,NYLOCK,3/8-16.....	6	--	33553	SEAL KIT,HYDRAULIC CYLINDER.....	1
13	T108078	PIN,1.25DIAX9.50LG,1HOLE.....	1	--	43018	SEAL KIT (39345)	
14	6175	SCREW,HHC,3/8-16 X 1.....	3	36	81175	PIN,1.25DIAX14.45LG,2HOLE.....	2
15	T108076	PIN,1.25DIAX7.88LG,1HOLE.....	2	37	63210	CYLINDER,SLAVE,3 X 11.38***.....1 <i>includes 4 each index number 34</i>	
16	T108077	PIN,1.25DIAX7.00LG,1HOLE.....	1	--	33487	SEAL KIT,HYDRAULIC CYLINDER***.....	1
17		SERVICE KIT, 5FT JIB.....1 <i>see 609.1 for jib detail</i>	1	--	33488	VALVE,COUNTERBALANCE.....	1
18	30286	SCREW,HHC,1-8 X 12IN GRD.2***.....	1	38	T108075	PIN,1.25DIAX5.25LG,1HOLE.....	1
19	122079	WASHER,FLAT,1.000,HARDENED..	2	39	34132	BEARING,GARLOCK,20FDU20.....	6
20	29764	NUT,NYLOCK,1-8.....	1	40	89801	BELLCRANK ASSY W/BEARINGS.....	1
21	10597	SCREW,HHC,1/2-13 X 1.25 GR5.....	6	41	34625P-S	PLATE,JIB MANIFOLD MTG.PAINTED.....	1
22	6033	WASHER,LOCK,0.5".....	6	42	73616	MANIFOLD,JIB SELECT***.....	1
23	50144-S	PLATFORM SUPPORT WELDMENT***.....	1	43	29066	VALVE,SOLENOID,10V,2POS 3WAY**.....	2
24	27497	CLAMP,RUBBER CUSHIONED-2 5/32.....	1	--	27814	COIL,SOLENOID,10V.....	2
25	54527-S	CABLE COVER,JIB***.....	1	--	45912	NUT,SOLENOID,2POS 3WAY.....	2
26	6091	NUT,NYLOCK,1/4-20.....	2				
27	61306-S	COMPR.LINK,MACHINED,GND CONTR*.....	2				
28	30219	BEARING,FL,1.25ID X 1.41OD X 1.....	4				
29	77875	ROTATOR ASSEMBLY,8.2K***.....1 <i>includes index number 28 (when installing PN 77875 as a replacement for rotator PN 30947, rotator manifold PN 30823, sold separately, must also be ordered)</i>	1				

607.1 Hydraulic Hoses and Fittings - S-60 Models

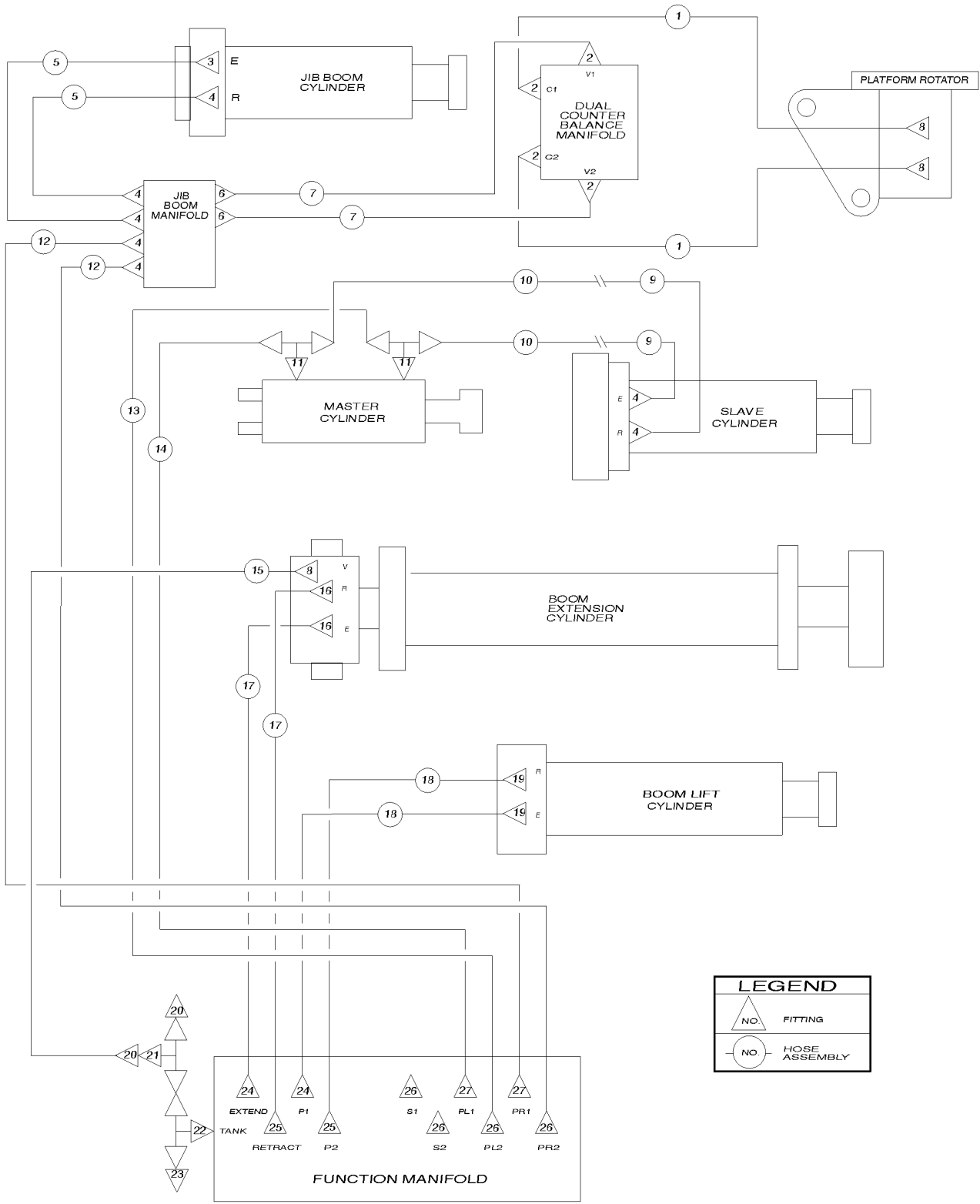


LEGEND	
	FITTING
	HOSE ASSEMBLY

607.1 Hydraulic Hoses and Fittings - S-60 Models

Item	Part No.	Description	Qty.	Item	Part No.	Description	Qty.
--	33994	PLUG AND CAP KIT-SERVICE,37ø**		10	34840	HOSE ASSY,827".....2 Hose End - 90o Female JIC Swivel, 4 JIC (Synflex 3903-04644), Hose End - 90o Female JIC Swivel, 6-4 (Synflex 3903-06644) & Hose - 1/4" Thermoplastic Medium Pressure (Synflex 3130-04)	
1	34604	HOSE ASSEMBLY, 26".....1 Hose End - Female JIC Swivel, 4-4 (Synflex 3903-04544), Hose End - 90o Female JIC Swivel, 4 JIC (Synflex 3903-04644) & Hose - 1/4" Thermoplastic Medium Pressure (Synflex 3130-04)		11	34570	HOSE ASSEMBLY, 186".....1 Hose End - Female JIC Swivel, 4-2 (Synflex 3903-02544), Hose End - Female JIC Swivel, 4-2 (Synflex 3903-02544) & Hose - 1/8" Thermoplastic Medium Pressure (Synflex 3130-02)	
2	13756	CONNECTOR,070120-4-6.....6		12	13755	CONNECTOR,070120-4-4.....1	
3	13921	ELBOW,070220-4-4.....2		13	34635	ELBOW,070320-6-8.....2	
4	34603	HOSE ASSEMBLY, 31".....1 Hose End - Female JIC Swivel, 4-4 (Synflex 3903-04544), Hose End - 90o Female JIC Swivel, 4 JIC (Synflex 3903-04644) & Hose - 1/4" Thermoplastic Medium Pressure (Synflex 3130-04)		14	34562	HOSE ASSEMBLY, 177".....2 Hose End - Female JIC Swivel, 6-6 (Synflex 3903-06546), Hose End - 90o Female JIC Swivel, 8-6 (Synflex 3903-06648) & Hose - 3/8" Thermoplastic High Pressure (Synflex 3800-06)	
5	34839	HOSE ASSY,735".....2 Hose End - Female JIC Swivel, 4-4 (Synflex 3903-04544), Hose End - 90o Female JIC Swivel, 6-4 (Synflex 3903-06644) & Hose - 1/4" Thermoplastic Medium Pressure (Synflex 3130-04)		15	34558	HOSE ASSEMBLY, 96".....2 Hose End - Female JIC Swivel, 6-6 (Synflex 3903-06546), Hose End - 90o Female JIC Swivel, 8-6 (Synflex 3903-06648) & Hose - 3/8" Thermoplastic High Pressure (Synflex 3800-06)	
6	34775	HOSE ASSEMBLY, 24".....2 Hose End - Male Rigid JIC, 4-4 (Synflex 3903-04504), Hose End - 90o Female JIC Swivel, 4 JIC (Synflex 3903-04644) & Hose - 1/4" Thermoplastic Medium Pressure (Synflex 3130-04)		16	18687	CONNECTOR,070120-6-8.....2	
7	45705	TEE,BRANCH,070429-6-6.....2		17	30876	REDUCER,070123-10-4.....2	
8	34561	HOSE ASSEMBLY, 136".....1 Hose End - Female JIC Swivel, 6-4 (Synflex 3903-06544), Hose End - 90o Female JIC Swivel, 6-4 (Synflex 3903-06644) & Hose - 1/4" Thermoplastic Medium Pressure (Synflex 3130-04)		18	22975	TEE,RUN,070432-10.....1	
9	34715	HOSE ASSY,127".....1 Hose End - Female JIC Swivel, 6-4 (Synflex 3903-06544), Hose End - 90o Female JIC Swivel, 6-4 (Synflex 3903-06644) & Hose - 1/4" Thermoplastic Medium Pressure (Synflex 3130-04)		19	30875	TEE,BRANCH,070429-10-10.....1	
				20	45170	HOSE END,BARBED,SWIVEL,-12-12.....1	
				21	32156	CONNECTOR,070122-8-8.....2	
				22	45703	CONNECTOR,070120-8-8.....2	
				23	45412	CONNECTOR,070120-6-6.....4	
				24	45412	CONNECTOR,070120-6-6.....2	

608.1 Hydraulic Hoses and Fittings - S-65 Models

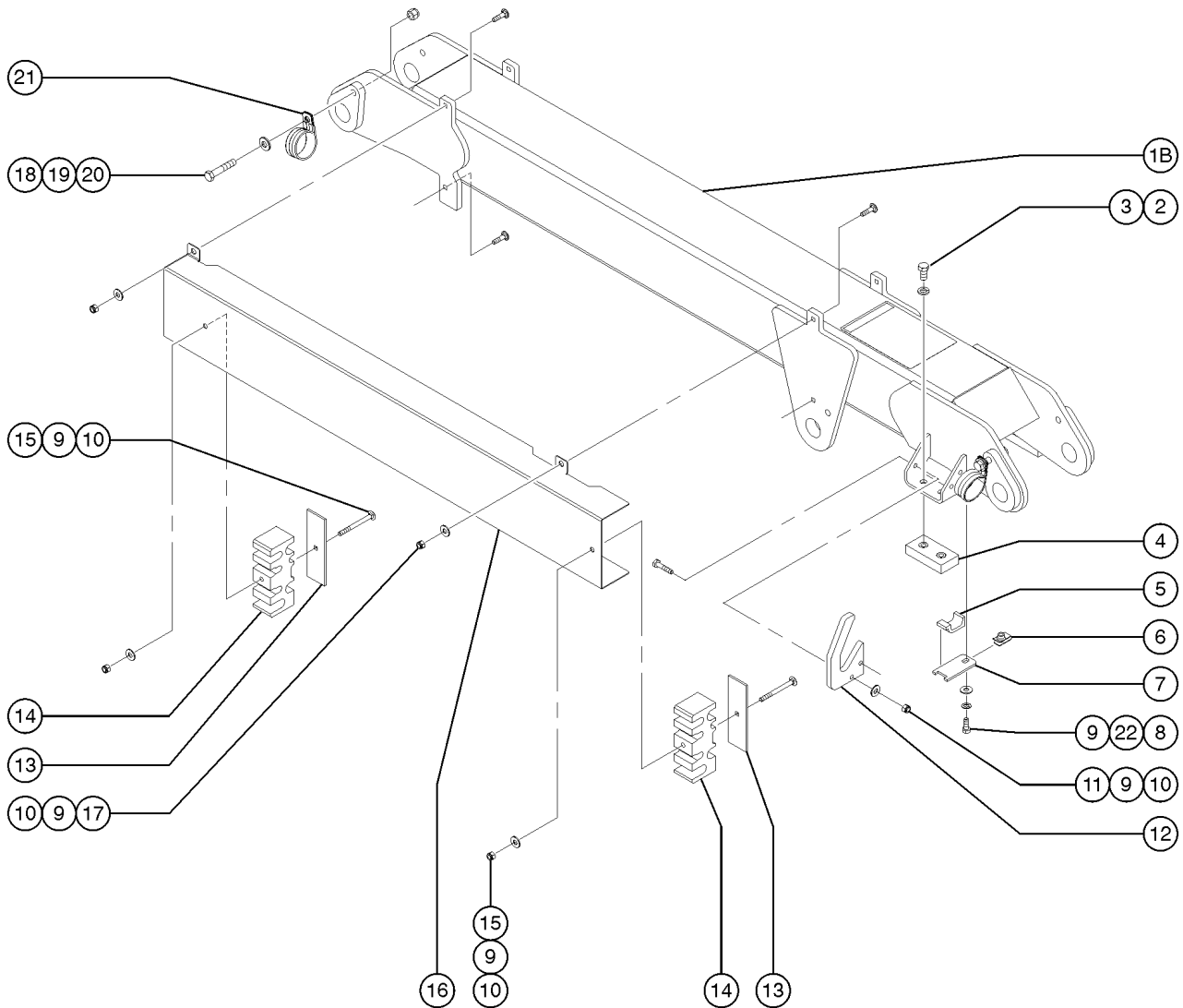
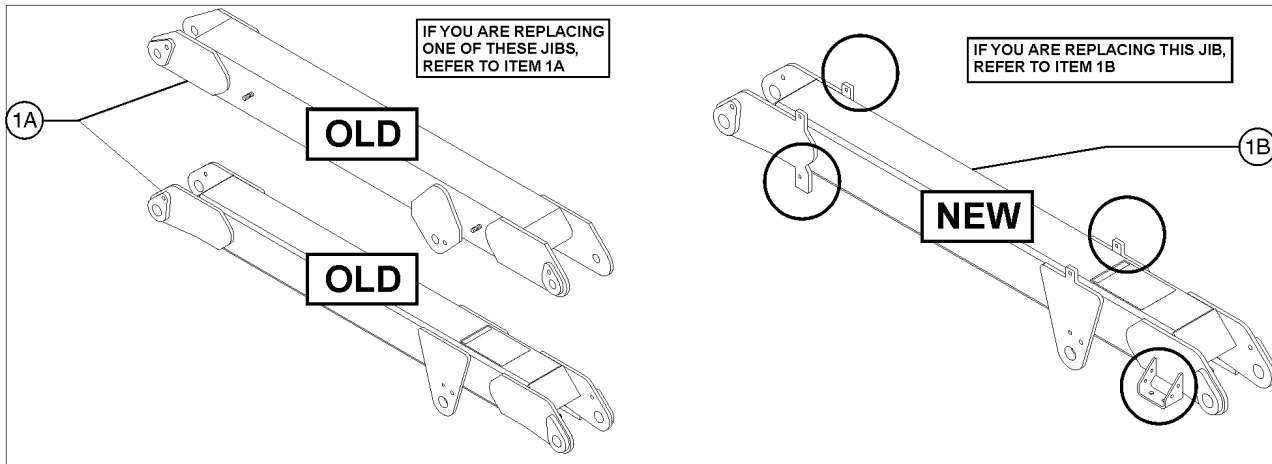


LEGEND	
	FITTING
	HOSE ASSEMBLY

608.1 Hydraulic Hoses and Fittings - S-65 Models

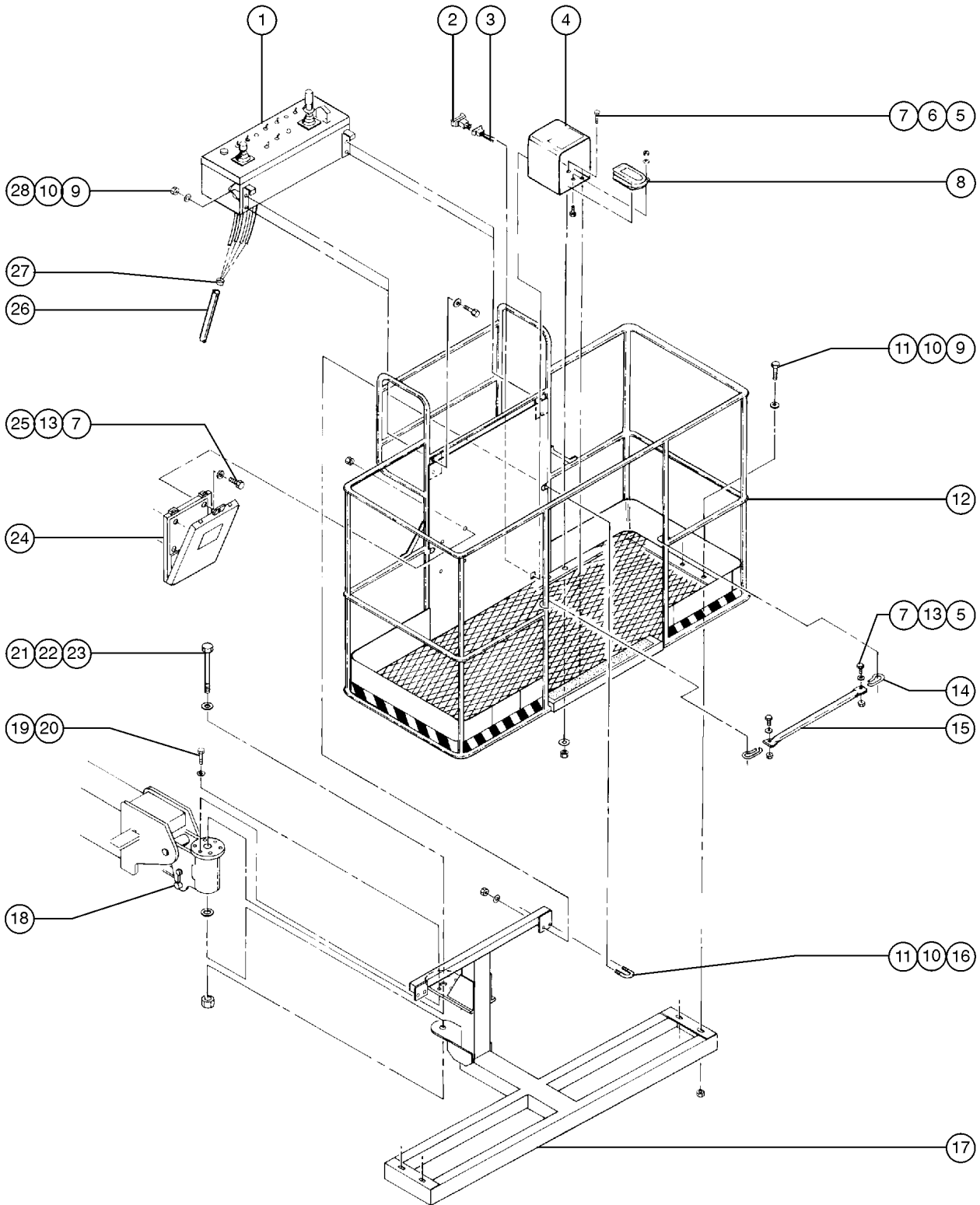
Item	Part No.	Description	Qty.	Item	Part No.	Description	Qty.
--	33994	PLUG AND CAP KIT-SERVICE,37ø**		13	34561	HOSE ASSEMBLY, 136".....1 <i>Hose End - Female JIC Swivel, 6-4 (Synflex 3903-06544), Hose End - 90o Female JIC Swivel, 6-4 (Synflex 3903-06644) & Hose - 1/4" Thermoplastic Medium Pressure (Synflex 3130-04)</i>	
1	34631	FLARE TUBE ASSY,JIB COUNTERBAL.....2		14	34715	HOSE ASSY,127"1 <i>Hose End - Female JIC Swivel, 6-4 (Synflex 3903-06544), Hose End - 90o Female JIC Swivel, 6-4 (Synflex 3903-06644) & Hose - 1/4" Thermoplastic Medium Pressure (Synflex 3130-04)</i>	
2	12340	ELBOW,070220-4-6.....4		15	34570	HOSE ASSEMBLY, 186"1 <i>Hose End - Female JIC Swivel, 4-2 (Synflex 3903-02544), Hose End - Female JIC Swivel, 4-2 (Synflex 3903-02544) & Hose - 1/8" Thermoplastic Medium Pressure (Synflex 3130-02)</i>	
3	34799	CONN,070120-4-6,WI.035 OR.....1		16	34635	ELBOW,070320-6-8.....2	
4	13756	CONNECTOR,070120-4-6.....7		17	34562	HOSE ASSEMBLY, 177"2 <i>Hose End - Female JIC Swivel, 6-6 (Synflex 3903-06546), Hose End - 90o Female JIC Swivel, 8-6 (Synflex 3903-06648) & Hose - 3/8" Thermoplastic High Pressure (Synflex 3800-06)</i>	
5	34600	HOSE ASSEMBLY, 83"2 <i>Hose End - Female JIC Swivel, 4-4 (Synflex 3903-04544), Hose End - 90o Female JIC Swivel, 4 JIC (Synflex 3903-04644) & Hose - 1/4" Thermoplastic Medium Pressure (Synflex 3130-04)</i>		18	34558	HOSE ASSEMBLY, 96"2 <i>Hose End - Female JIC Swivel, 6-6 (Synflex 3903-06546), Hose End - 90o Female JIC Swivel, 8-6 (Synflex 3903-06648) & Hose - 3/8" Thermoplastic High Pressure (Synflex 3800-06)</i>	
6	30446	CONN,070120-4-6,WI.030 OR.....2		19	18687	CONNECTOR,070120-6-8.....2	
7	34653	HOSE ASSEMBLY, 88"2 <i>Hose End - Female JIC Swivel, 4-4 (Synflex 3903-04544), Hose End - Female JIC Swivel, 4-4 (Synflex 3903-04544) & Hose - 1/4" Thermoplastic Medium Pressure (Synflex 3130-04)</i>		20	30876	REDUCER,070123-10-4.....2	
8	13755	CONNECTOR,070120-4-4.....3		21	22975	TEE,RUN,070432-10.....1	
9	34775	HOSE ASSEMBLY, 24"2 <i>Hose End - Male Rigid JIC, 4-4 (Synflex 3903-04504), Hose End - 90o Female JIC Swivel, 4 JIC (Synflex 3903-04644) & Hose - 1/4" Thermoplastic Medium Pressure (Synflex 3130-04)</i>		22	30875	TEE,BRANCH,070429-10-10.....1	
10	34839	HOSE ASSY,735"2 <i>Hose End - Female JIC Swivel, 4-4 (Synflex 3903-04544), Hose End - 90o Female JIC Swivel, 6-4 (Synflex 3903-06644) & Hose - 1/4" Thermoplastic Medium Pressure (Synflex 3130-04)</i>		23	45170	HOSE END,BARBED,SWIVEL,-12-12.....1	
11	45705	TEE,BRANCH,070429-6-6.....2		24	32156	CONNECTOR,070122-8-8.....2	
12	34840	HOSE ASSY,827"2 <i>Hose End - 90o Female JIC Swivel, 4 JIC (Synflex 3903-04644), Hose End - 90o Female JIC Swivel, 6-4 (Synflex 3903-06644) & Hose - 1/4" Thermoplastic Medium Pressure (Synflex 3130-04)</i>		25	45703	CONNECTOR,070120-8-8.....2	
				26	45412	CONNECTOR,070120-6-6.....4	
				27	45412	CONNECTOR,070120-6-6.....2	

609.1 Jib Detail



Item	Part No.	Description	Qty.
1A	128513	SERVICE KIT,5FT JIB <i>required for first time replacement (includes part number 128534)</i>	
1B	128534	JIB BOOM ASSY W/WORD DECAL.....1 <i>use ONLY if service kit 128513 has been installed on the machine</i>	1
2	8255	SCREW,HHC,3/8-16 X .75	
3	6021	WASHER,LOCK, .375	
4	81640	WEAR PAD,3 X 1.5 X.625 W/NUTS.....1	1
5	119542	CLAMP,TWO HOSE.....1	1
6	56912	SPRING CLIP,1/4-20,.025-.15X.5.....1	1
7	119536	BRACKET,HOSE CLAMP.....1	1
8	6888	SCREW,HHC,1/4-20 X 1	
9	6638	WASHER,FLAT,USS,1/4"Y	
10	6091	NUT,NYLOCK,1/4-20	
11	8915	SCREW,HHC,1/4-20 X 1.25	
12	128482	HOSE GUIDE, JIB.....1	1
13	128483	BACKING PLATE, HOSE BLOCK, JIB.....2	2
14	128501	CLAMP,JIB HOSE/CABLE.....2	2
15	128724	BOLT,CARRIAGE,1/4-20 X 2.75,G2	
16	128454P	COVER, JIB HOSES/CABLES.....1	1
17	79456	BOLT,CARRIAGE,1/4-20 X 1.00,G2	
18	5224	SCREW,HHC,3/8-16 X 2	
19	5397	WASHER,FLAT,USS,5/16",Y	
20	4828	NUT,NYLOCK,3/8-16	
21	77181	CLAMP,1.63,#26 X 3/8,RUB CUSH.....2	2
22	6356	WASHER,LOCK,.25	

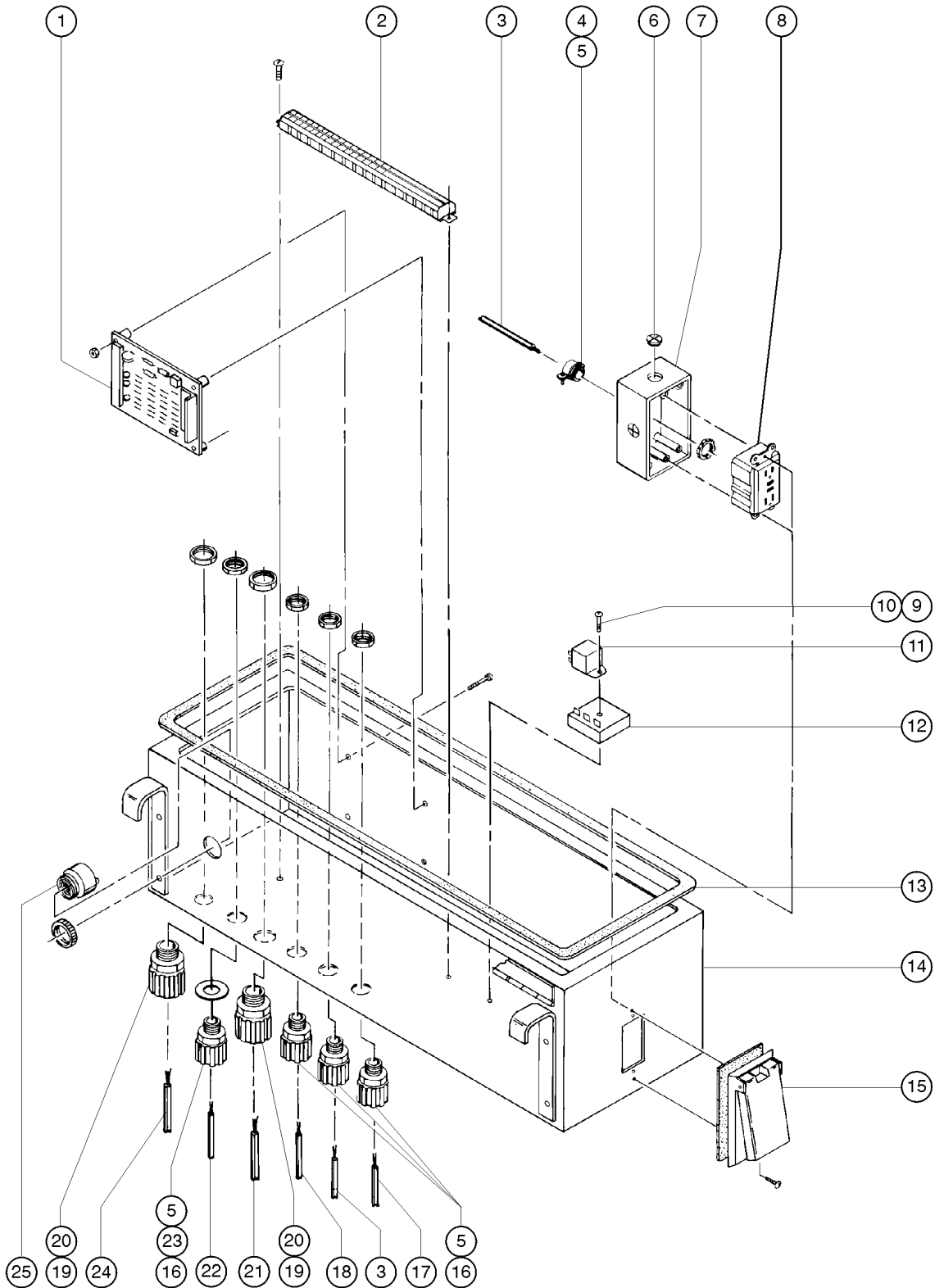
701.1 Platform Installation



701.1 Platform Installation

Item	Part No.	Description	Qty.	Item	Part No.	Description	Qty.
1		Ref. Platform Controls <i>refer to section 702.1 and 703.1</i>		10	6097	WASHER,FLAT,USS,3/8",Y.....	12
2	32708	HARNES ASSY, FOOTSWITCH....	1	11	4828	NUT,NYLOCK,3/8-16.....	8
--	22431	TERMINAL,ANDERSON,30A 12-16 GA.....	1	12	32704	PLAT.ASSY,6FT-S40/S60-95& S80.....	1
--	22432	ANDERSON HOUSING,15-45 AMP BLK.....	1	--	32705	PLAT. ASSY,8 FT,SERV,S40/60/80.....	1
--	22433	ANDERSON HOUSING,15-45,AMP,WHT.....	1	--	32706	PLAT. ASSY,EURO,6 FT, S40.....	1
--	22435	ANDERSON HOUSING,15-45 AMP GRN.....	1	--	32707	PLAT. ASSY,EURO,8 FT, S40.....	1
--	43956	WIRE CABLE,14/3 CON.TPE JKT*.....	1	--	54817P-S	TOEBOARD,PLTFM ENTRY EUR,PNTD*.....	1
--	45200	SPACER,SHORT ANDERSON.....	1	13	6638	WASHER,FLAT,USS,1/4"Y.....	6
--	45202	PIN,ROLL,.094 X .875.....	1	14	12443	MIDRAIL GUIDE (HOOK).....	2
--	45313	PLUG,W/LATCH,4 POLE,ANDERSON.....	1	15	102992	SLIDING MIDRAIL KIT,PTD.....	1
3	32709	CONNECTOR ASSY,FOOTSWITCH S40.....	1	--	139451	TUBE,SLIDING MIDRAIL,PAINTED.....	1
--	22431	TERMINAL,ANDERSON,30A 12-16 GA.....	1	--	20973	WIRE LOOM,3/8 POLY SLIT.....	1
--	22432	ANDERSON HOUSING,15-45 AMP BLK.....	1	--	21121	CABLE TIE,4" BLK,HEAT RESISTNT.....	1
--	22433	ANDERSON HOUSING,15-45,AMP,WHT.....	1	16	6550	U-BOLT,3/8 X 1 YZ.....	2
--	22435	ANDERSON HOUSING,15-45 AMP GRN.....	1	17		PLATFORM SUPPORT WELDMENT.....	1
--	43956	WIRE CABLE,14/3 CON.TPE JKT*.....	1			<i>refer to sections 605.1 or 606.1</i>	
--	45139	RECEPT.,SNAP-IN,4 POLE ANDERSN.....	1	18		Ref. Hydraulic Rotator - Platform....	1
--	45201	SPACER,LONG ANDERSON.....	1			<i>refer to sections 605.1 or 606.1</i>	
--	45202	PIN,ROLL,.094 X .875.....	1	19	10597	SCREW,HHC,1/2-13 X 1.25 GR5....	6
4	32710	GUARD,FOOTSWITCH,W/DECAL STEEL.....	1	20	6033	WASHER,LOCK,0.5".....	6
5	6888	SCREW,HHC,1/4-20 X 1.....	4	21	30286	SCREW,HHC,1-8 X 12IN GRD.2***.....	1
6	12906	WASHER,FENDER,.25 X 1.25 X.062.....	2	22	122079	WASHER,FLAT,1.000,HARDENED..	2
7	6091	NUT,NYLOCK,1/4-20.....	8	23	29764	NUT,NYLOCK,1-8.....	1
8	13482	FOOT SWITCH***.....	1	24	24514	BOX,INSTRUCTION STORAGE....	1
--	20262	MICROSWITCH,13482 FOOTSWITCH.....	1	25	6090	SCREW,HHC,1/4-20 X .75.....	4
9	6019	SCREW,HHC,3/8-16 X 1.25 GRD 5.....	8	26	28678	SLEEVE,NYLON,2"ID,BULK(100).70-inches	
				27	28443	CABLE TIE,11.5" BLACK.....	3
				28	7113	Nut - Low Profile Nylock 3/8-16.....	4

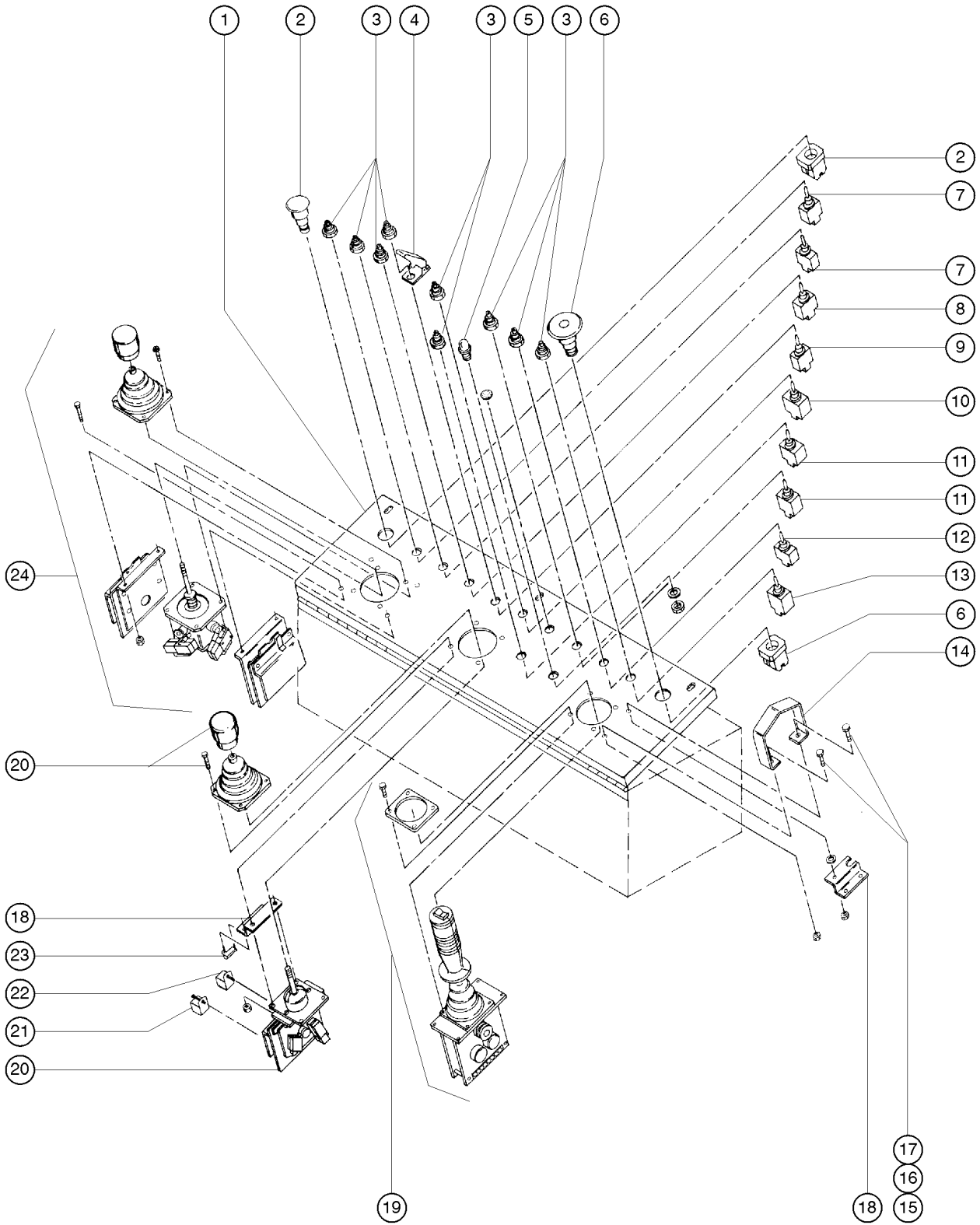
702.1 Platform Controls - View 1



702.1 Platform Controls - View 1

Item	Part No.	Description	Qty.	Item	Part No.	Description	Qty.
A	119867	WIRING KIT,JIB TIME DELAY IC		21	35934	WIRE CABLE,18/19 CON.TPRJKT.....960-inches	
--	19274	RELAY,SPDT,12V(AUTO)**		22	35934	WIRE CABLE,18/19 CON.TPRJKT.....960-inches	
--	43181	CAPACITOR,TIME DELAY		23	34769	WASHER,REDUCING 3/4" TO 1/2".....1	
--	33996	SCREWDRIVER,TERMINAL BLOCK		24	43956	WIRE CABLE,14/3 CON.TPE JKT*.....120-inches	
1	22052	LIMITER PC BOARD, HORSEPOWER.....1 <i>includes mounting fasteners</i>	1	25	45383	ALARM,WARBLE TONE 5-30 VDC***.....1 <i>Does not include 72326 nut</i>	1
--	39591	SPACER,NYLON,.375.....4 <i>sold separately</i>	4	--	72326	NUT - PLASTIC,RING FOR ALARMS.....1	1
2	32637	TERMINAL BLOCK,WAGO.....48	48				
2	33996	SCREWDRIVER,TERMINAL BLOCK					
3	43956	WIRE CABLE,14/3 CON.TPE JKT*.....960-inches					
4	6622	GROUND CONNECTOR,1/2".....1	1				
5	6935	LOCKNUT,ELEC,1/2".....1	1				
6	8843	COVER,KNOCK OUT HOLE,4 PER BAG.....1	1				
7	10775	T-BOX,2.75 X 4.5 X 2.0.....1	1				
8	13585	OUTLET,110V GFCI***.....1	1				
8	35003	RECEPTACLE, BRITISH, 110V.....1	1				
--	35003	RECEPTACLE, BRITISH, 110V.....1	1				
9	6179	SCREW,RHM,10-32 X 1.25.....1	1				
10	6178	NUT,NYLOCK,10-32.....1	1				
11	19274	RELAY,SPDT,12V(AUTO)**.....1	1				
12	43181	CAPACITOR,TIME DELAY.....1	1				
13	27115	GASKET,UPPER CONTROL BOX.....1	1				
14	33474	CONTROL BOX W/DECAL,PLAT....1 <i>includes 1 each index number 13</i>	1				
15	45437	COVER,GFCI,WEATHERPROOF....1 <i>includes mounting fasteners</i>	1				
--	33629	PLATE,UK POWER TO PLATFORM.....1	1				
--	33724	KIT,GASKET,UK POWER TO PLAT.....1	1				
16	7056	CONN,SQUEEZE,1/2NPT .38-.50,SM.....3	3				
17	32708	HARNES ASSY, FOOTSWITCH....1	1				
18	30794	WIRE,12/3 SJEOW,BULK,BLK-WHT-G.960-inches					
19	12960	CABLE SQUEEZE CONN.,XTRA LRG.....2	2				
20	14041	LOCKNUT,ELECTRIC,3/4".....2	2				

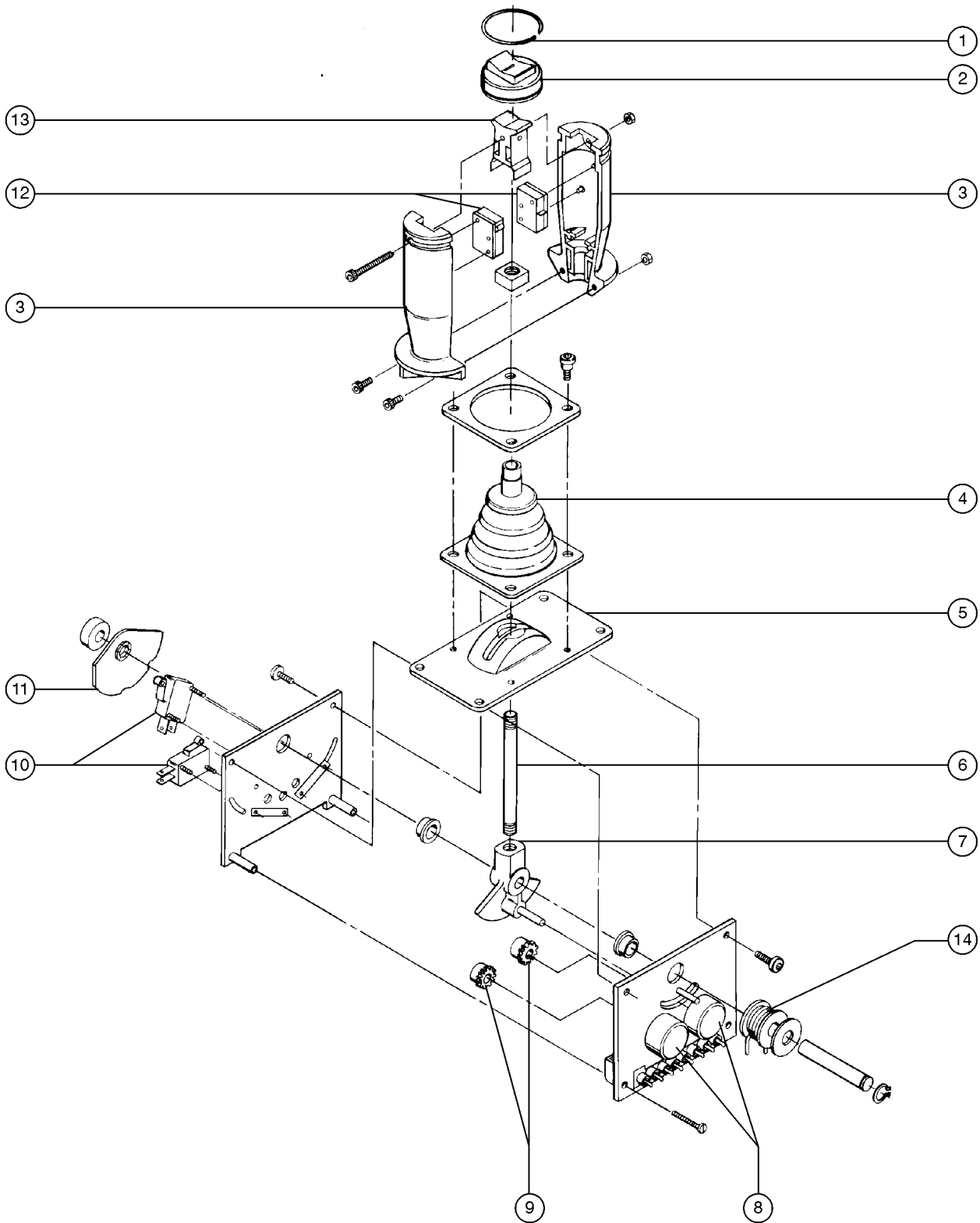
703.1 Platform Controls - View 2



703.1 Platform Controls - View 2

Item	Part No.	Description	Qty.	Item	Part No.	Description	Qty.
1	33474	CONTROL BOX W/DECAL,PLAT.....	1	18	54525	BRACKET-PANEL-WIRE MOUNTING 99.....	2
2	122513	KIT,HORN SVC BB&SM BOOM..... <i>required ONLY for first time replacement</i>	1	19	20424	JOYSTICK CONTROLLER,12V..... <i>OEM joystick</i>	1
--	66813	BUTTON,PUSH,BLACK W/SEAL***.....	1	--	20424H	JOYSTICK CONTROLLER,12V <i>aftermarket joystick replacement</i>	
--	66815	BASE, W/1 N.O. CONTACTS***		20	24495	JOYSTICK,SINGLE AXIS PROPORT.....	1
--	66816	CONTACT,N.O.....	1			<i>OEM joystick</i>	
3	27246	BOOT,TOGGLE SWITCH,SHORT*.....	9	--	24495H	JOYSTICK,SINGLE AXIS PROPORT <i>aftermarket joystick replacement</i>	
4	13471	COVER, AUXILIARY POWER SWITCH.....	1	21	19274	RELAY,SPDT,12V(AUTO)**.....	1
5	824879	LIGHT,LED IND. RED 12V NH.....	1	22	19274	RELAY,SPDT,12V(AUTO)**.....	1
--	824879	LIGHT,LED IND. RED 12V NH		23	27116	RESISTOR,100 OHM,25 WATT..... <i>4WD models</i>	1
6	122514	KIT,ESTOP SVC BB&SM BOOM.....	1	23	34798	RESISTOR,150 OHM,25 WATT..... <i>2WD models</i>	1
--	66812	BUTTON,PUSH,RED MUSHROOM HEAD.....	1	24	40613	JOYSTICK,DUAL AXIS CONTROLL.**.....	1
--	66818	CONTACT,NC.....	2			<i>OEM joystick</i>	
--	66821	BASE,WITHOUT CONTACTS.....	1	--	40613H	JOYSTICK,DUAL AXIS CONTROLL.** <i>aftermarket joystick replacement</i>	
7	16397-S	SWITCH,TOGGLE,DPDT,3POS MOMEN.....	2				
		<i>includes mounting fasteners</i>					
8	13037-S	SWITCH,TOGGLE,SPDT,3POS MOMEN*.....	1				
		<i>includes mounting fasteners</i>					
9	13480-S	SWITCH,TOGGLE,DPDT,2POS MOMEN.....	1				
		<i>includes mounting fasteners</i>					
10	27378-S	SWITCH,TOGGLE,DPDT,2POS MAINT*.....	1				
		<i>includes mounting fasteners</i>					
11	13037-S	SWITCH,TOGGLE,SPDT,3POS MOMEN*.....	2				
		<i>includes mounting fasteners</i>					
12	13038-S	SWITCH,TOGGLE,DPDT,3POS MAINT.....	1				
		<i>includes mounting fasteners</i>					
13	27378-S	SWITCH,TOGGLE,DPDT,2POS MAINT*.....	1				
		<i>includes mounting fasteners; Gasoline/LPG models</i>					
14	27033P	SUPPORT,WRIST,PAINTED-BLUE..	1				
15	8914	SCREW,HHC,1/4-20 X .625.....	2				
16	6638	WASHER,FLAT,USS,1/4"Y.....	2				
17	6091	NUT,NYLOCK,1/4-20.....	2				

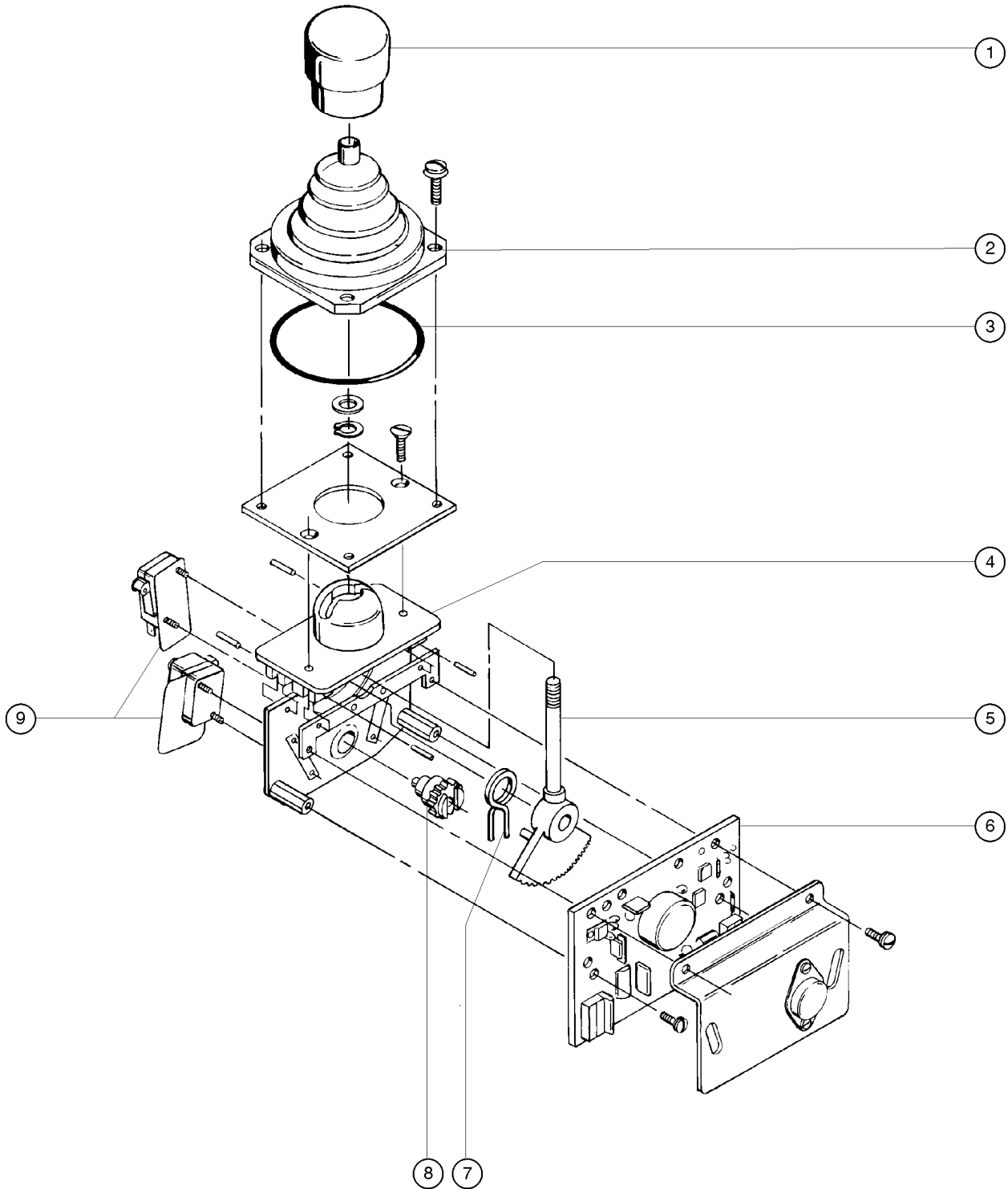
704.1 Joystick Controller - Drive / Steer Functions



704.1 Joystick Controller - Drive / Steer Functions

Item	Part No.	Description	Qty.
--	20424H	JOYSTICK CONTROLLER,12V <i>aftermarket joystick replacement</i>	
--	20424	JOYSTICK CONTROLLER,12V <i>OEM joystick, contains all shown service parts</i>	
1	25882	LOCK RING.....	1
2	25881	BOOT,THUMB 20424 JOYSTICK.....	1
3	25883	HANDLE HALF,JOYSTICK (20424).....	2 <i>order qty (2) required</i>
--	49887	NUT & BOLT KIT (25883)	
--	72245	KIT, JOYSTICK HANDLE <i>includes handles, rocker and nut/bolt kit</i>	
4	22368	BOOT (20424).....	1
5	25884	COVER CASTING,20424 CONTROLLER.....	1
6	25886	SHAFT,W/NC STLY BLOCK,(20424)*.....	1 <i>consult factory when ordering</i>
7		GEAR CASTING,20424 CONTROLLER.....	1 <i>part no longer available; consult factory</i>
8	22364	POTENTIOMETER (20424).....	2
9	22367	SPUR GEAR (20424).....	2
10	22365	SWITCH (20424).....	2
11	22366	CAM ASSY (20424).....	1
12	23680	SWITCH,HANDLE,20424.....	2
13	23688	ROCKER ASSY,HANDLE (20424)***.....	1
14	58209	SPRING,RETURN***	

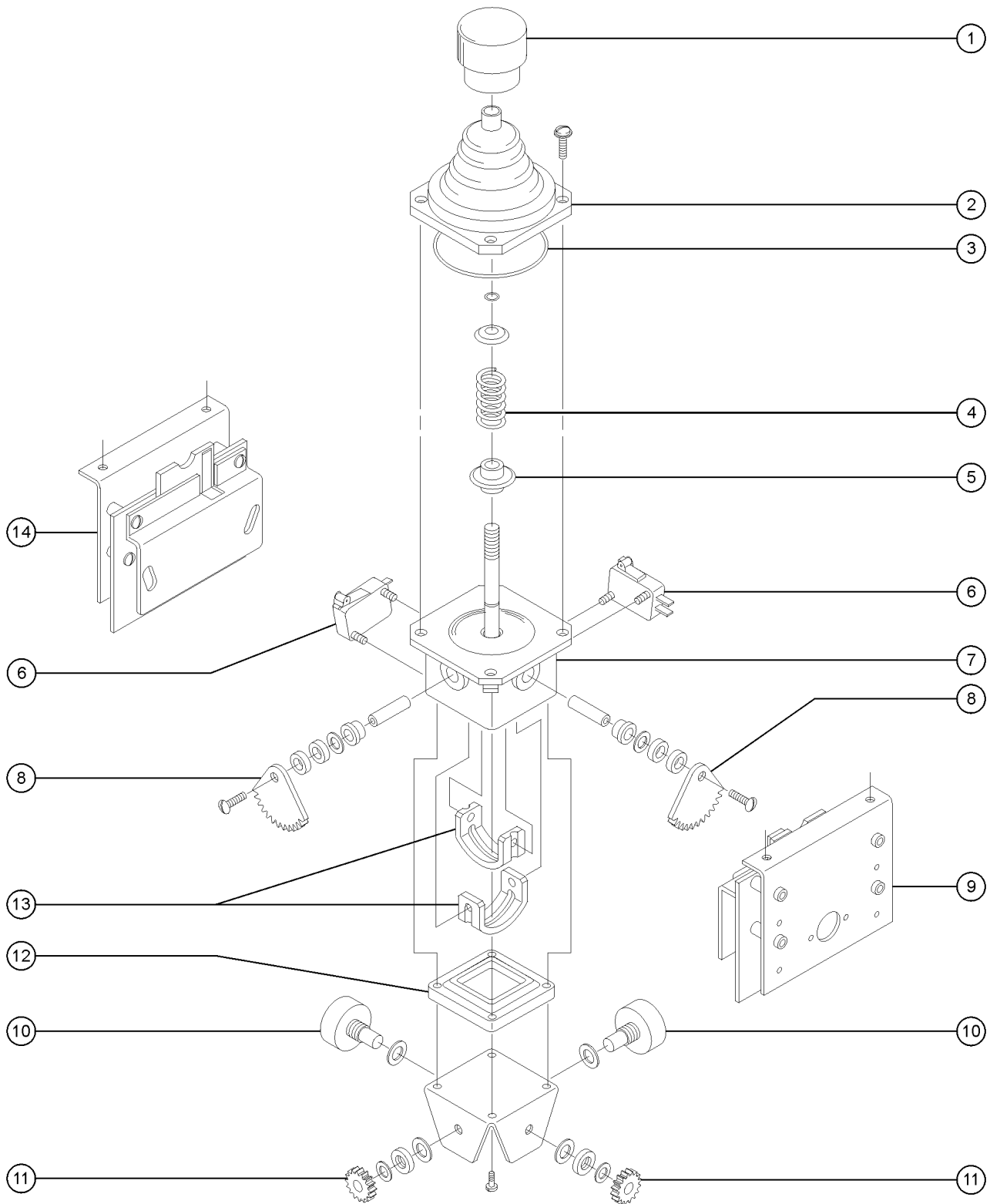
705.1 Joystick Controller - Boom Functions, Single Axis



705.1 Joystick Controller - Boom Functions, Single Axis

Item	Part No.	Description	Qty.
--	24495H	JOYSTICK,SINGLE AXIS PROPORT <i>aftermarket joystick replacement</i>	
--	24495	JOYSTICK,SINGLE AXIS PROPORT <i>OEM joystick, contains all shown service parts</i>	
1	27133	HANDLE,CAP,CONTROLLER.....	1
2	27134	BOOT,CONTROLLER.....	1
3	31526	O-RING,BOOT,CONTROLLER.....	1
4	19720	CASTING,45049, 40612.....	1
5	27135	SHAFT W/GEAR.....	1
6	27524	PCB,ASSY,24495.....	1
--	19718	POTENTIOMETER,45049.....	1
7	21434	SPRING & BUSHING KIT,RETURN***	1
8	19731	GEAR, SLAVE, MS4,45048.....	1
9	19712	MICROSWITCH,V3L-139-D8.....	2

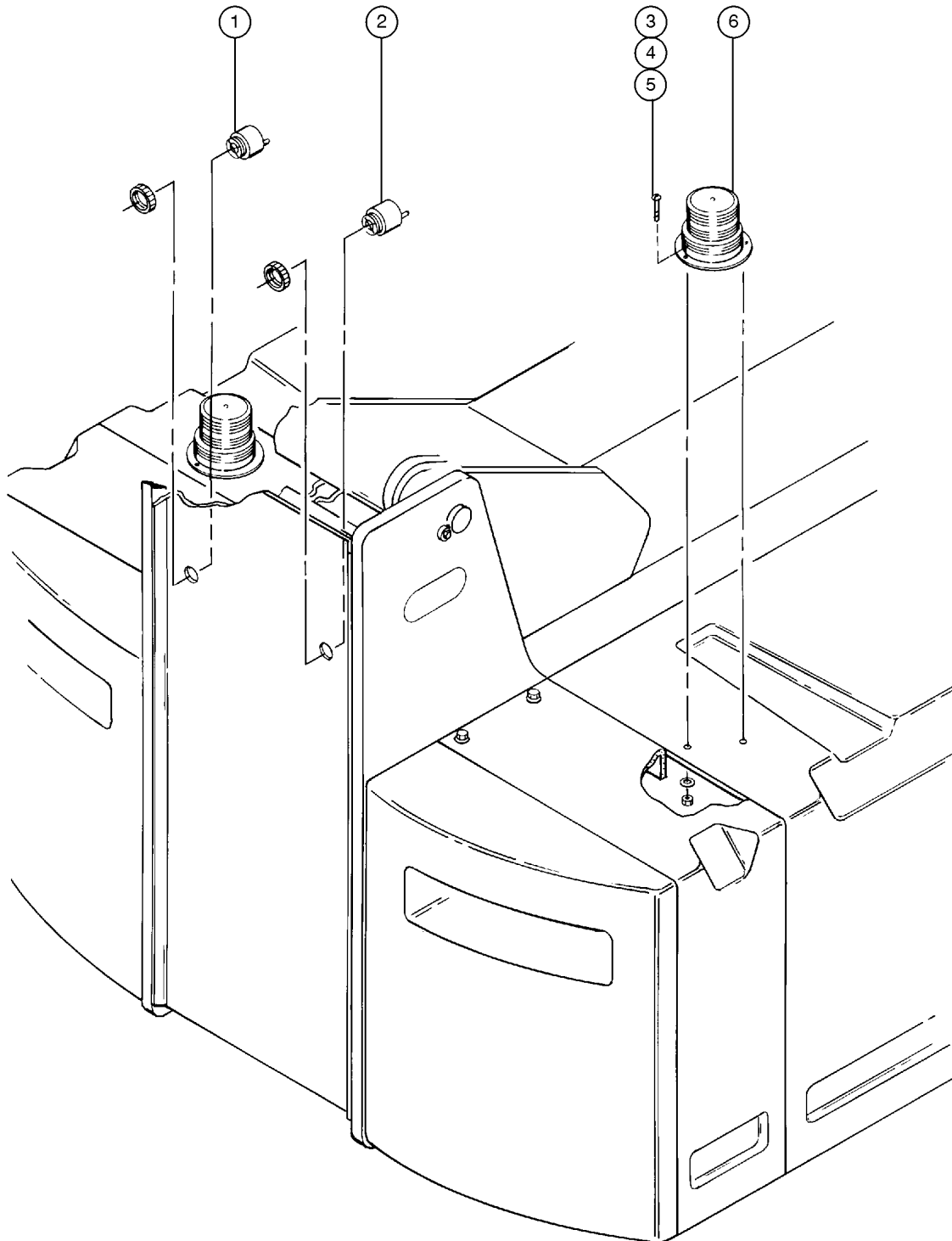
706.1 Joystick Controller - Boom Functions, Dual Axis



706.1 Joystick Controller - Boom Functions, Dual Axis

Item	Part No.	Description	Qty.
--	40613H	JOYSTICK,DUAL AXIS CONTROLL.** <i>aftermarket joystick replacement</i>	
--	40613	JOYSTICK,DUAL AXIS CONTROLL.** <i>OEM joystick, contains all shown service parts</i>	
1	27133	HANDLE,CAP,CONTROLLER.....	1
2	27134	BOOT,CONTROLLER..... <i>includes 46272</i>	1
--	46272	FLANGE-JOYSTICK MOUNTING,44988.....	1
3	31526	O-RING,BOOT,CONTROLLER..... <i>to SN 1321</i>	1
4	27511	SPRING,24493 CONTROLLER.....	1
5	31283	BUSHING,SPRING SEAT.....	1
6	19712	MICROSWITCH,V3L-139-D8..... <i>to SN 1321</i>	4
--	19712	MICROSWITCH,V3L-139-D8..... <i>from SN 1322</i>	2
7	31284	SHAFT ASSY W/HOUSING.....	1
8	27512	JOYSTICK, DRIVE GEAR, (24493).....	2
9	48413	PCB,ASSY,BOOM ROTATE,40613*.....	1
10	33518	POTENTIOMETER (34419)..... <i>to SN 1321</i>	2
--	72356	POTENTIOMETER (40613)..... <i>from SN 1322 (supplier p/n EPVR-342)</i>	2
--	83088	POTENTIOMETER (40613) <i>from SN 1322 (suppler p/n EPVR-464)</i>	
11	27514	GEAR, SLAVE, 24493.....	2
12	58923	SADDLE BRCKT40613,34419,53073*.....	1
13	37948	SADDLES-SET(24493,40613,53073.	1
14	48414	PCB,ASSY,BOOM UP/DOWN,40613***.....	1

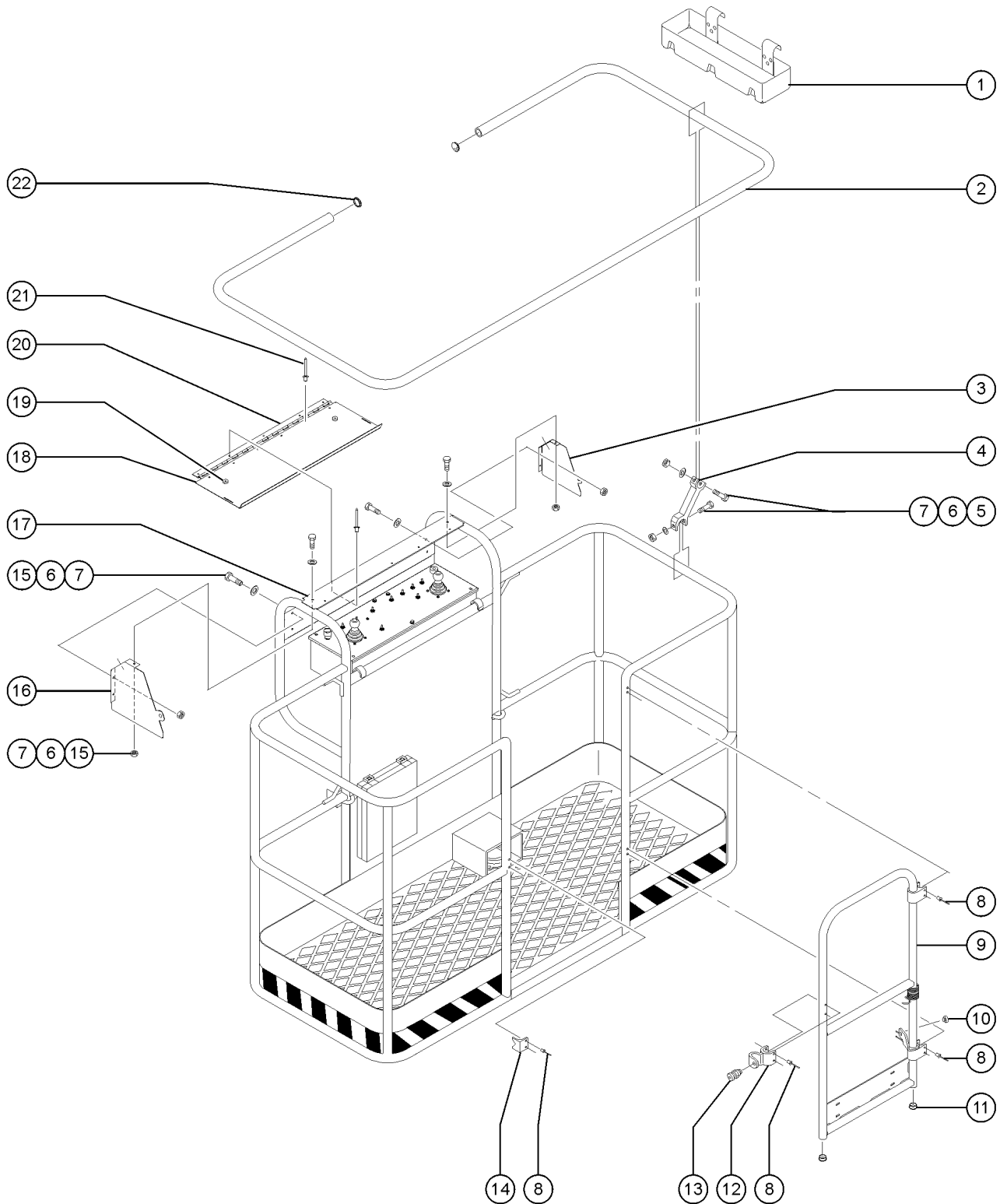
801.1 Alarm and Beacon Package



801.1 Alarm and Beacon Package

Item	Part No.	Description	Qty.
--	30619	OPTION,ALARM PKG, STICK BOOM	
1	230392	ALARM,DESCENT.....1 <i>Does not include 72326 nut</i>	1
1	72326	NUT - PLASTIC,RING FOR ALARMS.....1	1
2	18963	ALARM.INTERMITTENT TONE.24V.....1 <i>Does not include 72326 nut</i>	1
2	72326	NUT - PLASTIC,RING FOR ALARMS.....1	1
3	6066	SCREW,RHM,10-32 X .38.....6	6
4	6146	WASHER,FLAT,MS,#10,Y.....6	6
5	6178	NUT,NYLOCK,10-32.....6	6
6	56704	STROBE,FIREBOLT,12-80VDC,AMB**. <i>(replaced 20189)</i>	2
--	122019	FLASHTUBE,U SHAPED,360DEG,BULB	
--	226393	FLASHTUBE,STRAIGHT,360DEG,BULB	
--	72282	LENS,AMBER,STROBE,FIREBOLT	

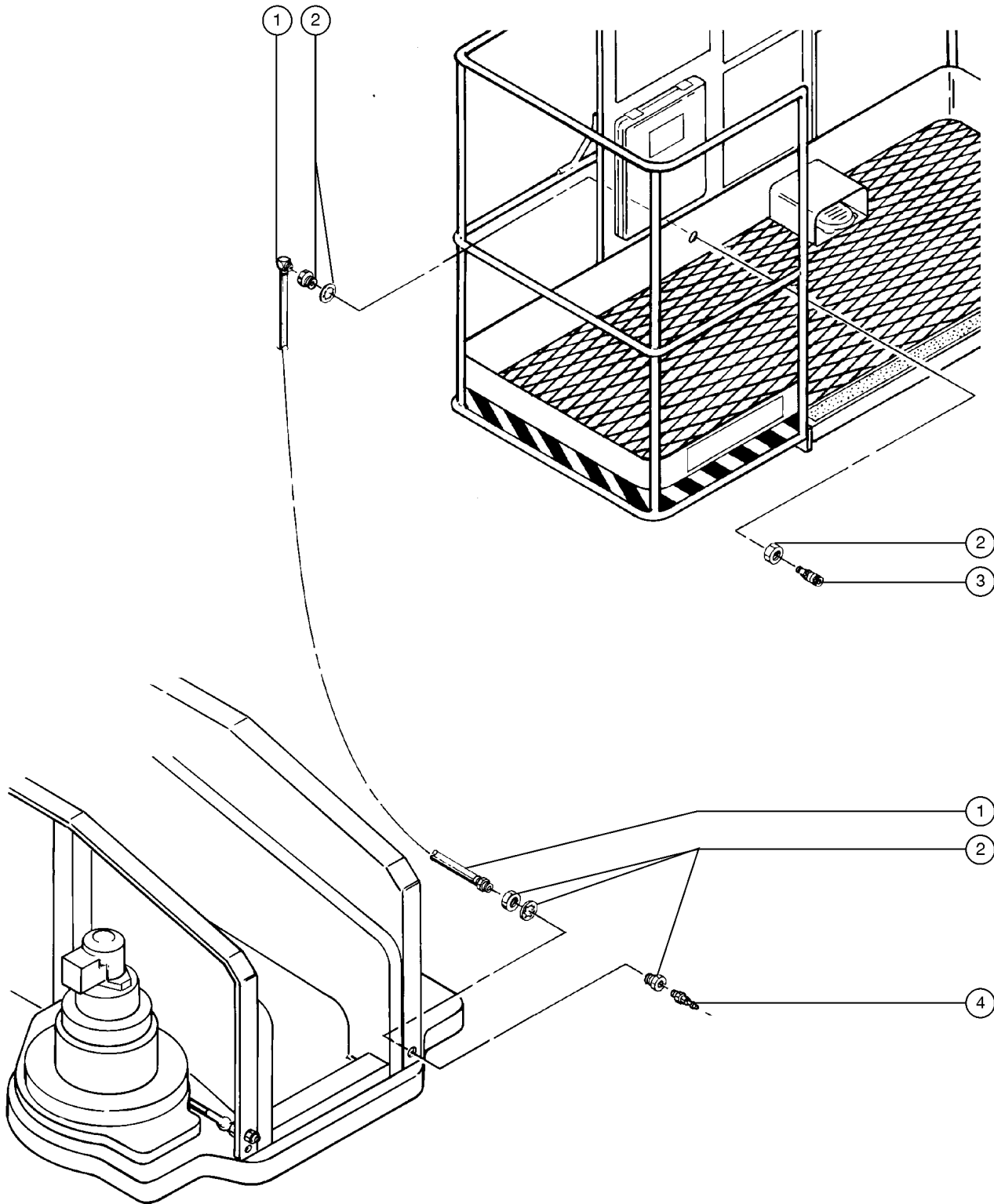
802.1 Platform Options



802.1 Platform Options

Item	Part No.	Description	Qty.	Item	Part No.	Description	Qty.
1	9599-S	TOOL TRAY ACCESSORY***.....	1	22	55753	BUMPER, PLASTIC, 1.25 O.D.....	2
2	1259704	PINCH GUARD RAIL,6' PLATFORM.....	1				
		<i>includes 55753 bumpers</i>					
--	52661	PINCH GUARD RAIL,8' PLATFORM**.....	1				
3	119797	CONTROL BOX COVER, RIGHT SIDE*					
4	28807	SUPPORT,RAILING.....	10				
5	4266	SCREW,HHC,1/4-20 X 2					
6	6638	WASHER,FLAT,USS,1/4"Y					
7	6889	NUT,LP NYLOCK,1/4-20					
8	7265	RIVET,STEEL,P, .25 X .375.....	14				
9	128368	KIT,SWING GATE W/SPRING.....	1				
9A	119950	KIT,FIELD INSTALL,SWING GATE <i>includes 128368, 1487, 1488, and 33674</i>					
--	1487	GATE LATCH CASTING--DRILLED					
--	1488	RAILING CATCH CASTING--DRILLED					
--	33674	PIN,LOCK,SHORT***					
--	9596	HINGE CASTING					
10	43392	BUMPER,BATTERY BOX & RAILS.....	1				
11	31120	PLUG,NYLON 1.187 BLACK DOMED.....	2				
12	1487	GATE LATCH CASTING--DRILLED.....	1				
13	63311	SNAP PIN.....	1				
14	1488	RAILING CATCH CASTING--DRILLED.....	1				
15	6090	SCREW,HHC,1/4-20 X .75					
16	119796	CONTROL BOX COVER,LEFT SIDE**					
17	119562P	GUARD,PLATFORM CNTRL PANEL PTD					
--	119642	KIT,PLAT CONTROL PANEL GUARD**					
18	89915P	COVER,CONTROL BOX LID					
--	119795	KIT,CONTROL BOX COVER					
19	43392	BUMPER,BATTERY BOX & RAILS					
20	111526	HINGE,PLAT CONTROL BOX COVER					
21	54486	RIVET,ALUM,ALUM,3/16BUTTONHEAD					

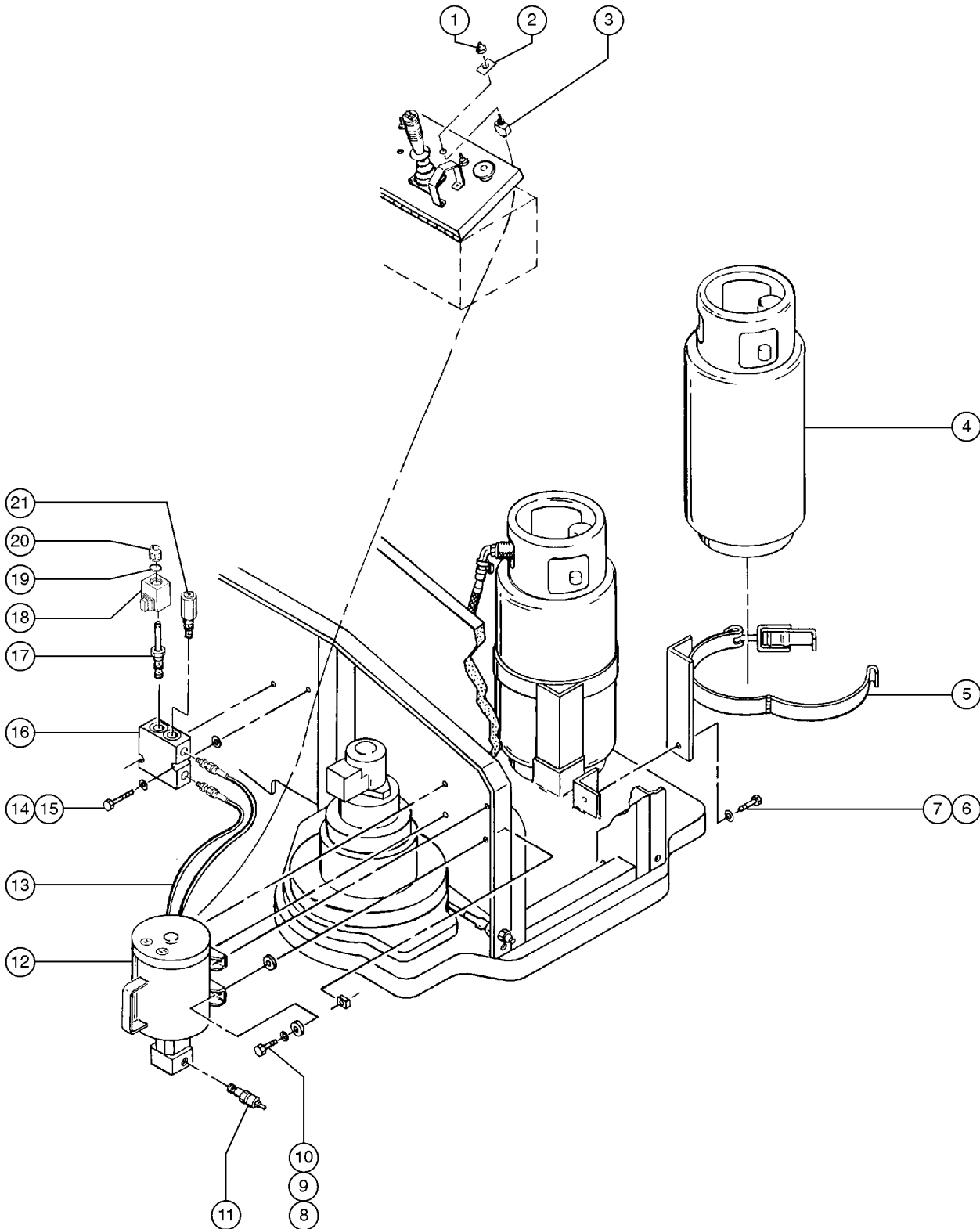
803.1 Airline to Platform



803.1 Airline to Platform

Item	Part No.	Description	Qty.
--	34319	S60 AIRLINE TO PLATFORM	
1	33892	AIRLINE ASSEMBLY.....	1
2	27900	BULKHEAD,FEMALE X 6 X 6.....	2
3	27895	COUPLER,1/4"SERIES 3/8 MPT.....	1
4	27894	PLUG,1/4"SERIES,3/8 MPT.....	1

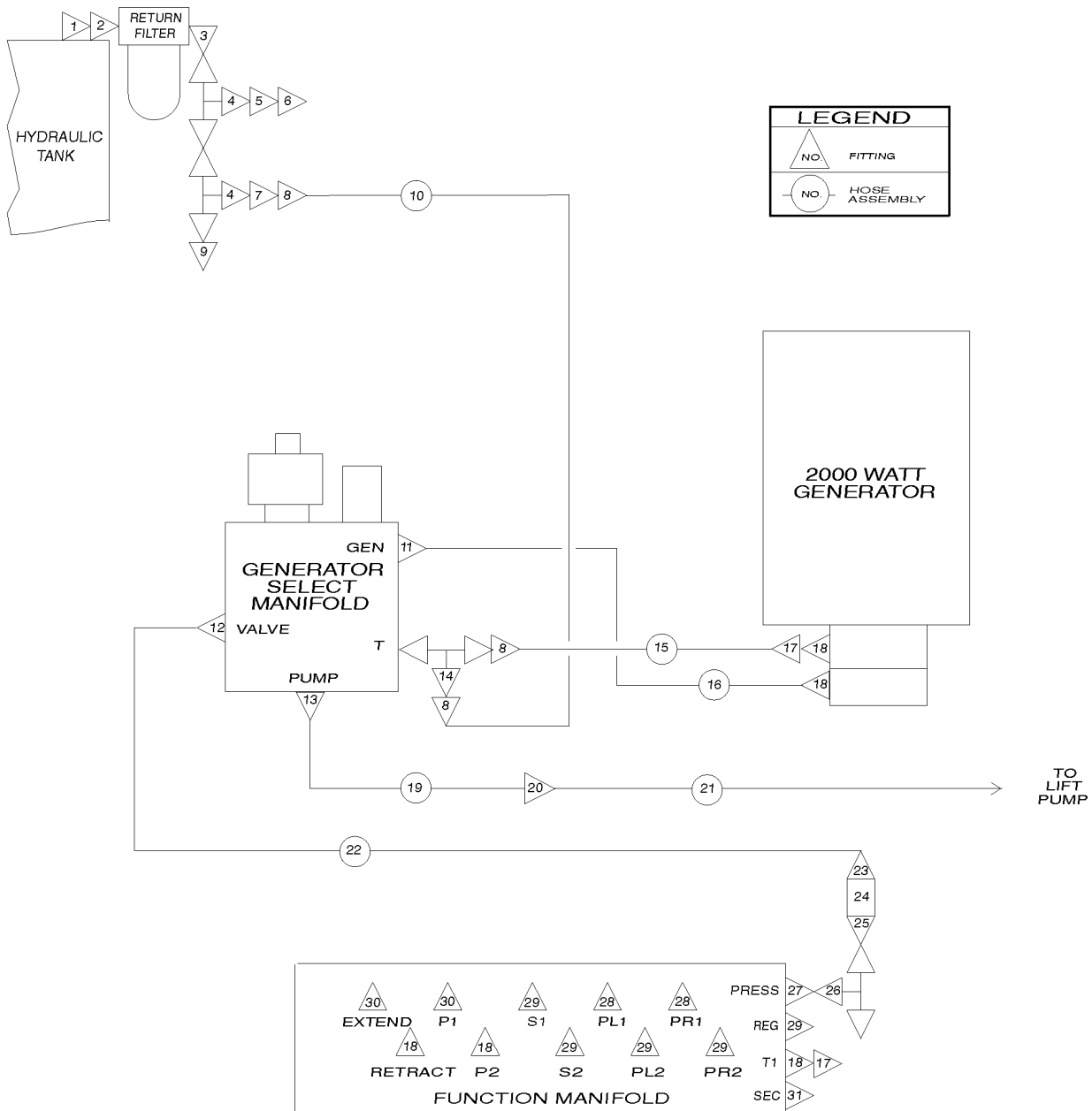
804.1 2000 Watt Generator and Spare LPG Tank



804.1 2000 Watt Generator and Spare LPG Tank

Item	Part No.	Description	Qty.
--	30630	S40,60,80SPARE L.P.TANK W/BRKT	
--	46980	GEN S60 2000W SERV OPT***	
1	27246	BOOT,TOGGLE SWITCH,SHORT*.....1	1
2	32728	DECAL,OPTION GENERATOR***...1	1
3	27378-S	SWITCH,TOGGLE,DPDT,2POS MAINT*.....1 <i>includes mounting fasteners</i>	1
4	53605	TANK, LP, 7 GAL.....1	1
5	30712	LP.TANK BRKT WLDMT.,SHORT....1	1
6	8255	SCREW,HHC,3/8-16 X .75.....3	3
7	6021	WASHER,LOCK,.375.....7	7
8	6175	SCREW,HHC,3/8-16 X 1.....4	4
9	24947	Grommet - Rubber, 3/8 x 7/8 inch...4	4
10	29868	SPRING CLIP,3/8-16.....4	4
11	32735	VALVE,PRI. FLOW REG 4.3.....1	1
12	58301	GENERATOR,2000W,HYDRAULIC***.1 <i>includes index number 11</i>	1
--	32732	RECTIFIER ASSEMBLY.....1	1
--	32734	BRUSH ASSEMBLY.....1	1
--	32736	MOTOR,HYDRAULIC GENERATOR.....1	1
--	58402	BRIDGE,50A FULL WAVE**.....1	1
13		Ref. Hydraulic Hoses and Fittings - Generator Option.....1 <i>refer to section 805.1</i>	1
14	4266	SCREW,HHC,1/4-20 X 2.....2	2
15	6638	WASHER,FLAT,USS,1/4"Y.....4	4
16	53976	MANIFOLD,GENERATOR.....1 <i>includes index numbers 17 through 21</i>	1
17	19969	VALVE,SOLENOID (18660).....1 <i>includes index numbers 18 through 20</i>	1
18	27535	COIL,12V.DO1 VALVE.....1	1
19	45914	O-RING, DO1 VALVE.....1	1
20	45913	NUT,DO1 VALVE.....1	1
21	44950	VALVE,RELIEF,1500 PSI***.....1	1

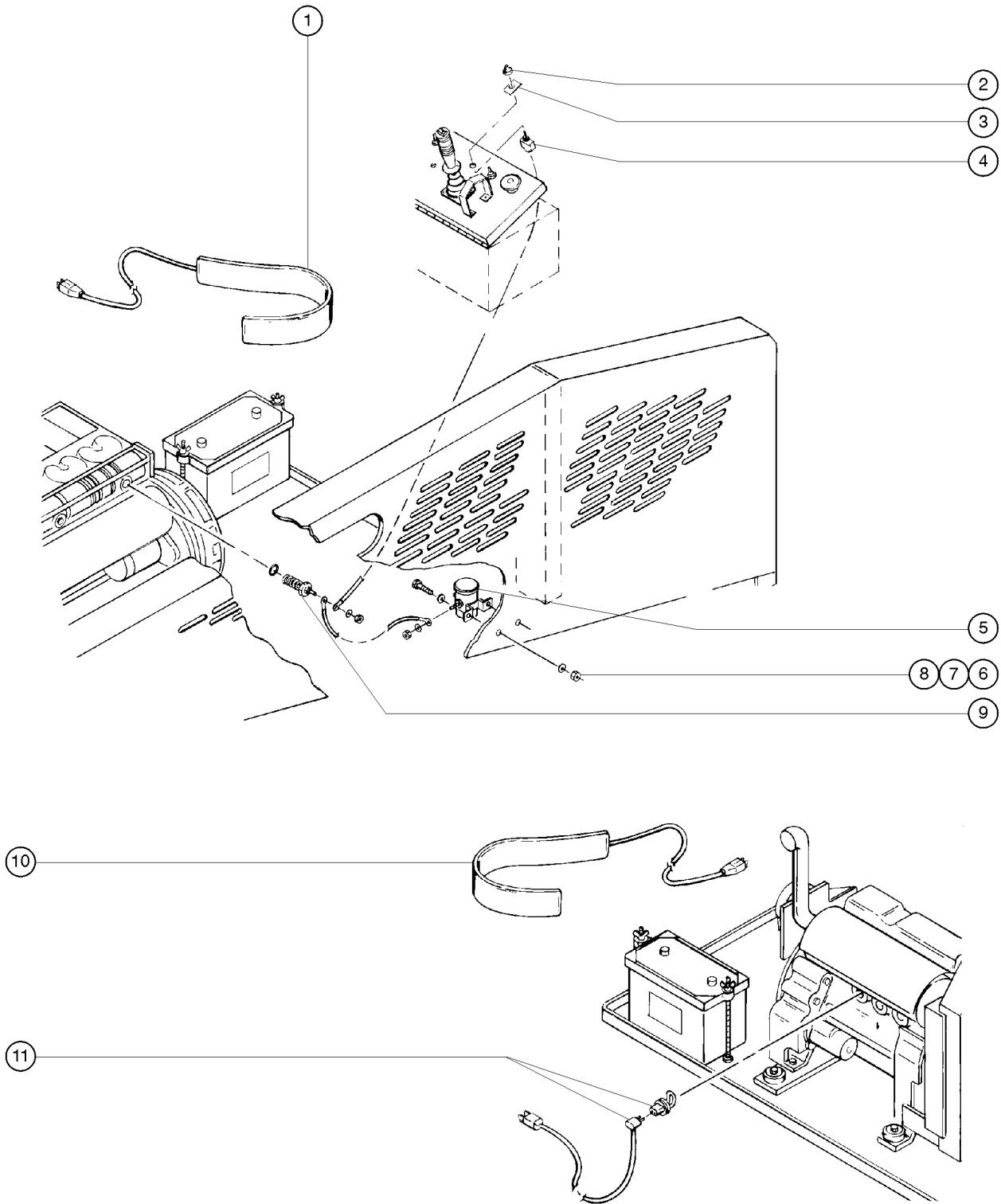
805.1 Hydraulic Hoses and Fittings, 2000 Watt Generator Option



805.1 Hydraulic Hoses and Fittings, 2000 Watt Generator Option

Item	Part No.	Description	Qty.	Item	Part No.	Description	Qty.
--	33994	PLUG AND CAP KIT-SERVICE,37ø**		21	34557	HOSE ASSEMBLY, 62".....1 <i>Hose End - Female JIC Swivel, 12-12 (Weatherhead 12U-612), Hose End - 90o Female JIC Swivel, 12-12 (Weatherhead 12U-672) & Hose - 3/4" 3000 PSI (207 bar) (Weatherhead H300-12)</i>	
1	30342	ELBOW,140238-16-16.....1	1	22	34912	HOSE ASSY,48".....1 <i>Hose End - Female JIC Swivel, 12-12 (Weatherhead 12U-612), Hose End - Female JIC Swivel, 12-12 (Weatherhead 12U-612) & Hose - 3/4" 3000 PSI (207 bar) (Weatherhead H300-12)</i>	
2	30343	NIPPLE,HEX,140137-16.....1	1	23	29897	ELBOW,070320-12-8.....1	
3	27202	ELBOW,070202-12-16.....1	1	24	31798	VALVE,CHECK,#8 O-RING PORTS.....1	
4	20326	TEE,RUN,070432-12.....2	2	25	31797	ADAPTER,6402-8-8.....1	
5	20022	ELBOW,070221-12-12.....1	1	26	22540	TEE,BRANCH,070429-8-8.....1	
6	45359	HOSE END,BARBED,SWIVEL,-12-12.....1	1	27	27192	ADAPTER,O-RING,G6410-10-8.....1	
7	20325	REDUCER,070123-12-8.....1	1	28	45412	CONNECTOR,070120-6-6.....2	
8	20324	HOSE END,BARBED,SWIVEL,-8-8.....3	3	29	45412	CONNECTOR,070120-6-6.....5	
9	45170	HOSE END,BARBED,SWIVEL,-12-12.....1	1	30	32156	CONNECTOR,070122-8-8.....2	
10	34911	HOSE 57".....1 <i>Hose - 1/2" Push On (Weatherhead H20108)</i>	1	31	18687	CONNECTOR,070120-6-8.....1	
11	45357	ELBOW,070220-8-8***.....1	1				
12	20925	ELBOW,070220-12-12.....1	1				
13	19687	CONNECTOR,070120-12-12.....1	1				
14	20334	TEE,RUN,070428-8.....1	1				
15	34947	HOSE 32".....1 <i>Hose - 1/2" Push On (Weatherhead H20108)</i>	1				
16	34909	HOSE ASSY. 27".....1 <i>Hose End - Female JIC Swivel, 8-8 (Synflex 3903-08548), Hose End - 90o Female JIC Swivel, 8-8 (Synflex 3903-08648) & Hose - 1/2" Thermoplastic High Pressure (Synflex 3800-08)</i>	1				
17	28597	HOSE END,BARBED,SWIVEL,90DEG-8....2	2				
18	45703	CONNECTOR,070120-8-8.....5	5				
19	34910	HOSE ASSY. 14".....1 <i>Hose End - Female JIC Swivel, 12-12 (Weatherhead 12U-612), Hose End - 90o Female JIC Swivel, 12-12 (Weatherhead 12U-672) & Hose - 3/4" 3000 PSI (207 bar) (Weatherhead H300-12)</i>	1				
20	34948	UNION,070101-12-12.....1	1				

806.1 Cold Start Package - Ford & Deutz Engines



806.1 Cold Start Package - Ford & Deutz Engines

Item	Part No.	Description	Qty.
--	28851	OPTION,COLD START PKG,FORD LSG	
--	30502	COLD START PKG,DEUTZ F3L1011	
1	28853	BLANKET,BATTERY.....1 <i>Deutz Diesel models</i>	1
2	27246	BOOT,TOGGLE SWITCH,SHORT*.....1 <i>Deutz Diesel models</i>	1
3	32726	DECAL,OPTION GLOW PLUGS***.....1 <i>Deutz Diesel models</i>	1
4	13037-S	SWITCH,TOGGLE,SPDT,3POS MOMEN*.....1 <i>includes mounting fasteners; Deutz Diesel models</i>	1
5	27155	SOLENOID,12V CONTINUOUS***.....1 <i>Deutz Diesel models</i>	1
6	6091	NUT,NYLOCK,1/4-20.....2 <i>Deutz Diesel models</i>	2
7	6638	WASHER,FLAT,USS,1/4"Y.....4 <i>Deutz Diesel models</i>	4
8	6888	SCREW,HHC,1/4-20 X 1.....2 <i>Deutz Diesel models</i>	2
9	31408	GLOW PLUG,L1011.....1 <i>Deutz Diesel models</i>	1
10	28853	BLANKET,BATTERY.....1 <i>Gasoline/LPG models</i>	1
11	35610	HEATER,FREEZE PLUG,FORD LRG423.....1 <i>Gasoline/LPG models</i>	1

Part Number Index

The Part Number Index is a numeric index of all part numbers included in this manual. The index shows what page(s) the part is used on.

Part Number	Page	Part Number	Page	Part Number	Page	Part Number	Page
10258	79-80	139527	45	21121	113	27033P	117
102992	113	139528	45	21130	29, 51, 61-62, 71	27034	65
10355	91-93	139712	45	21141	73	27042	61-62
10597	103, 105, 113	139715	45	21175	67	27067	69
10598	65	139716	45	21252	31-32, 35, 54,	27089	73
106433	95	139717	45		57, 91-93	27115	115
10775	115	139718	45	21434	121	27116	117
110194	23, 43, 77	139719	45	21465	73	27133	121, 123
110197	77	139726	45	21496	29, 51, 61-62, 71	27134	121, 123
110200	77	139727	45	21604	105	27135	121
110201	77	139898	73	21935	77	27142	61-62
110202	77	139962	41	21982	85	27155	83, 135
111526	127	14041	83, 115	22052	115	27191	91-93
11413	61-62, 67	14392	61-62	22099	31-32, 53-54,	27192	93, 133
11637	79-80	146160	75		91-93	27202	91-93, 133
119536	111	146165	77	22278	61-62	27204	13
119542	111	147094	85	22279	62	27205	13
119562P	127	147289	75	22364	119	27206	13
119642	127	147290	75	22365	119	27207	13
119795	127	147558	25-26, 41, 47-48	22366	119	27210	59
119796	127	147559	25-26, 41, 47-48	22367	119	27246	85, 117, 131, 135
119797	127	14815	15, 17, 37, 39	22368	119	27258	101
119867	115	1484	11, 13	223763	75, 77	27329P-S	69
119950	127	1487	127	22431	113	27377	87, 89
122019	125	1488	127	22432	113	27378-S	85, 117, 131
122079	103, 105, 113	16397-S	85, 117	22433	113	27431	53-54
122512	85	16486	95, 101	22435	113	27497	105
122513	117	16584	69	22540	93, 133	27511	123
122514	85, 117	18218	73	22578	71	27512	123
12340	31-32, 53-54,	18383	97	226393	125	27514	123
	109	18504	87, 89	22665	91-93	27524	121
12342	53-54	18506	19, 21, 71	22700	65	27532	29, 51
12343	29, 47-48, 51	18665	83	227149	97	27535	131
12443	113	18687	35, 57, 92-93,	22788	79-80	27564	11, 13
1254826	71		107, 109, 133	22811	25-26, 47-48	27643	79-80
1259704	127	18963	125	22832	101	27698	15, 37
1268	11, 13	19141	59, 69	22965	61-62, 69	27759	47-48
128368	127	19142	31-32	22975	93, 107, 109	27761	23, 43
128454P	111	19274	85, 115, 117	230392	125	27801	77
128482	111	19363	73	23057	71	27802	77
128483	111	19487	73	23680	119	27803	77
128501	111	19491	79-80, 95, 101	23688	119	27804	77
128513	111	19506	85	23802	32, 54	27807	77
128534	111	19687	31-32, 53-54,	24038	65	27812	77
128658	61-62		91-93, 133	24470	62	27814	61-62, 67, 77,
128724	111	19712	121, 123	24495	117, 121		105
12906	87, 89, 113	19718	121	24495H	117, 121	27894	129
12960	83, 115	19720	121	24514	113	27895	129
13002	75	19731	121	24551	62	27900	129
13014	65	19794	79-80	24552	59	27915	59, 71
13037-S	85, 117, 135	19969	131	24667	47-48	27916	59, 71
13038-S	117	20022	91-93, 133	24668	25-26	27943	65
13064	17, 25-26, 39,	20224	23, 29, 43, 51, 77	24675	75	27953	15, 17, 37, 39
	41, 47-48, 65,	20262	113	24947	131	28020	59
	69, 75, 79-80	20293	73	25284	15, 17, 37, 39, 95	28076	65, 67
13066	25-26, 41, 48,	20324	31-32, 35, 53-	25375	23, 29, 43, 51, 77	28125	87, 89
	79-80		54, 57, 133	25436	15, 25-26, 37,	28157	11
13119	32, 35, 53-54, 57	20325	31-32, 53-54,		47-48	28158	11
13120	31-32, 35, 53-		133	25567	73	28159	11
	54, 57, 92-93	20326	91-93, 133	25571P-S	61-62	28160	11
13268	85	20332	31-32, 54	25635	79-80	28161	11, 13
13471	85, 117	20334	35, 53-54, 57,	25683	95, 103, 105	28164	11
13480-S	85, 117		133	25807	83	28165	13
13482	113	20424	117, 119	25808	83	28171	11
13585	115	20424H	117, 119	25836	83	28174	11, 13
13755	92-93, 107, 109	20630	79-80	25881	119	28175	11
13756	92-93, 107, 109	20654	79-80	25882	119	28176	13
13852	103, 105	20709	91-93	25883	119	28177	11
13854	79-80	20716	92-93	25884	119	28181	11
13918	79-80, 101	20776	83	25886	119	28234P-S	65
13921	32, 54, 92-93,	20880	61-62, 71	25951	32, 54, 91-93	28235	11, 13
	97, 107	20923	35, 57	25967	61-62, 73	28236	13
139451	113	20925	53-54, 133	25974	83	28301	87, 89
139508	45	20973	113	25994	11	28310	83
139512	45	21018	65	27010	61-62	28443	113

Part Number	Page	Part Number	Page	Part Number	Page	Part Number	Page
28445	92-93	30392	53-54	31408	135	33434	25-26, 41, 47-48
28454	53-54	30406	11	31411	101	33440	25-26, 41, 47-48
28456	31-32, 53-54	30407	11	31498	103, 105	33441	25-26, 41, 47-48
28471	87, 89	30418	15, 17, 25-26, 37, 39, 48, 95	31506	73	33444	25-26
28597	31-32, 35, 53-54, 57, 133	30430	89	31507	73	33445	79-80
28598	53-54	30438	69	31510	19	33446	79-80
28646	89	30444	75	31511	19	33448	19, 21, 41
28647	59, 61-62	30446	109	31519	79-80	33453	75
28651	59	30468	89	31522	67	33455	75
28653	59	30486	89	31523	67	33460	11
28656	59	30490	73	31524	73	33470	79-80
28678	113	30502	135	31526	121, 123	33471	79-80
28714	59	30521	89	31797	93, 133	33472	83, 85
28717	61-62, 65	30521	89	31798	93, 133	33474	115, 117
28807	127	30546P-S	73	32150	11, 13	33483	11, 13
28829	73	30558	29, 51	32151	11, 13	33487	95, 103, 105
28836	61-62	30584	73	32156	93, 107, 109, 133	33488	103, 105
28851	135	30619	125	32606	69	33494	97
28853	135	30630	131	32611	61-62, 69	33500	97
29066	61-62, 67, 105	30668	75, 77	32632	53-54	33501	97
29073	71	30677	75	32637	115	33505	95
29080	97, 99	30679-S	65, 67	32661	77	33510	87, 89
29137	73	30703	75	32662	77	33518	123
29290	79-80	30711	73	32663	77	33520	23, 43
29291	25-26, 47-48, 79-80	30712	131	32675	41	33521	43
29292	25-26, 47-48, 79-80	30718P	75	32681	29, 51	33550	11, 13
29293	25-26, 47-48, 79-80	30720P	87	32698	67	33551	83
29297	65	30721P	67, 87	32699	69	33553	105
29314	87, 89	30731	15, 17, 37, 39	32702	11, 13	33554	87
29436	61-62, 69	30736	15, 17, 37, 39	32704	113	33555	87, 89
29439	59	30743	89	32705	113	33557	95
29550	67	30744	87	32706	113	33562	47-48
29551	67	30749	101	32707	113	33563	47-48
29552	67	30750	101	32708	113, 115	33568	75, 77
29555	67	30751P	89	32709	113	33571	11
29556	69	30759	89	32710	113	33572	13
29557	69	30760	87	32722	103, 105	33573	11
29558	69	30769P	71	32723	29, 51	33629	115
29559	69	30782	83, 85	32724	29, 51	33674	127
29560	71	30784-975	65, 71	32725	29, 51	33724	115
29561	71	30785-1000	61-62	32726	13, 135	33729	69
29562	71	30785-1500	71	32728	13, 131	33822P	95
29563	69	30794	83, 115	32732	131	33823	95
29564	69	30797	29, 51	32734	131	33882	13
29606	61-62	30805	71	32735	131	33891	19
29607	83	30806	69	32736	131	33892	129
29616	61-62	30810	59	32744	11	33894	15, 37
29737	43	30823	103, 105	32748	67	33895	95
29739	61-62, 69	30831	91-93	32749	67	33896	97
29746	15, 25-26, 37, 47-48	30861	91-93	32750	71	33897	97
29764	103, 105, 113	30867	92-93	32756	89	33899	15, 17, 37, 39
29868	75, 87, 89, 131	30875	93, 107, 109	32758	87	33904	15, 17
29883	65, 69, 75	30876	93, 107, 109	32768	62	33905	15, 17
29897	93, 133	30877	92-93	32941	13	33908	15, 37
29908	73	30895	79-80	32948	75	33931	59
30080	13	30951	93	32949	75	33941	37, 39
30138	97, 99	30958	91-93	32952	79-80	33942	37, 39
30143	65, 71	30963	69	32955	75	33943	17, 39
30144	65, 71	30964	69	32959	75	33944	25-26, 47-48
30179	73	30965P	89	32962	75	33945	25-26, 47-48
30217	97, 103, 105	30968	77	32963	75	33947	97, 99
30219	103, 105	30971	71	32964	75	33955	59
30230P	61-62, 71	30973	87, 89	32967	75	33956	11
30255	103, 105	31060	13	32992	11	33957	59
30277P	87, 89	31078	15, 17, 37, 39	32998	13	33958	59
30286	103, 105, 113	31082	79-80	33052-S	101	33960	59
30342	91-93, 133	31099	77	33053-S	101	33961	59
30343	91-93, 133	31100	77	33054-S	101	33963	59
30347	91-93	31120	127	33239	67	33964	59
30369	61-62, 67	31249	69	33240P	71	33965	59, 65
30370	15, 17, 37, 39	31250	61-62	33241P	71	33966	59
		31261	77	33278	79-80	33968	59
		31262	77	33349	73	33969	65
		31283	123	33350	73	33970	59
		31284	123	33428	15, 37, 95, 105	33971	59
		31406	23, 43	33433	41	33972	59

Part Number Index (continued)

Part Number	Page	Part Number	Page	Part Number	Page	Part Number	Page
33973	11	34563	91-93	34838	31-32	45349	53-54
33985	11	34564	92-93	34839	107, 109	45357	133
33987	41	34565	91-93	34840	107, 109	45359	133
33988	61-62, 69	34566	91-93	34842	11, 13	45361	53-54
33989	25-26, 41, 47-48	34567	92-93	34858	29, 51	45366	92-93
33990	25-26, 41, 47-48	34570	107, 109	34909	133	45383	115
33991	25-26, 41, 47-48	34571	92-93	34910	133	45384	85
33992	25-26, 41, 47-48	34574	93	34911	133	45395	92-93
33994	23, 29, 31-32, 35, 43, 51, 53-54, 57, 77, 91-93, 107, 109, 133	34575	93	34912	133	45400	61-62, 67
33995	65	34576	91-93	34920	53-54	45412	35, 57, 92-93, 107, 109, 133
33996	83, 115	34577	92-93	34921	53-54	45437	115
33998	77	34578	92-93	34927P-S	65	45483	29, 51, 79-80
34052	83	34580	91-93	34929	65	45495	79-80
34053	83	34581	92-93	34935	61-62	45703	35, 57, 93, 107, 109, 133
34054	83	34583	92-93	34936	61-62	45704	53-54
34055	83	34584	92-93	34939P	61-62	45705	31-32, 53-54, 91-93, 107, 109
34056	83	34592	91-93	34942P-S	65	45782	71, 83
34057P	83	34593	91-93	34943P-S	65	45836	85
34058	59	34594	31-32, 53-54	34947	133	45878	53-54
34059	71	34595	31-32, 53-54	34948	133	45912	105
34124	97, 99	34600	109	34961	79-80	45913	131
34125	97	34603	107	35000	77	45914	75, 77, 131
34127	21, 25-26, 41, 47-48	34604	107	35001	15, 17	45916	75, 77
34131	95	34606	79-80	35002	15, 17	45921	77
34132	105	34619	61-62, 67, 73	35003	115	46164	75
34162-3150	71	34621	91-93	35610	135	46272	123
34164	71	34623	47-48	35657	95	46768	89
34165	97	34625P-S	105	35934	83, 115	46769	89
34170-S	97	34626	19, 21	35949P-S	87, 89	46980	131
34214P	79-80	34627	21	36188	97	4828	65, 73, 79-80, 87, 89, 95, 103, 105, 111, 113
34215	25-26, 48	34628	19, 21	36204P-S	101	48413	123
34216	25-26, 48	34631	109	36207	97	48414	123
34217P-S	25-26, 48	34633	53-54	37002	61-62	48415	77
34218P-S	25-26, 48	34635	107, 109	37027	61-62, 69	48439	61-62
34243-500	101	34636	101	37047	101	48648	77
34268	97	34639	25-26, 47-48	37050	29, 51	48880	23, 29, 43, 51, 77
34269	95	34641	15, 37	37405	79-80	48997	23, 29, 43, 51, 77
34270	95	34642	15, 37	37870	92-93	49881	59
34271	95	34653	109	37948	123	49887	119
34273	25-26, 48	34660-S	101	38919	77	49897	47-48
34276	15, 17, 37, 39, 95	34680P	101	39591	115	49917	69
34284P	99	34710	79-80	40613	117, 123	50144-S	103, 105
34319	129	34715	107, 109	40613H	117, 123	52087	79-80
34323	101	34736	97	41621	101	52088	87
34344	97, 99	34741	97	41918	25-26	52089	87
34347	79-80	34746	101	4266	75, 97, 127, 131	5224	79-80, 111
34380	69	34761	79-80	43018	97, 105	52661	127
34393	101	34762-S	79-80	43181	115	52726	23, 43
34394	101	34766	79-80	43392	127	52943	61-62, 67, 77
34409P-S	25-26, 48	34769	115	43483	101	52968	13
34429	97, 99	34775	107, 109	43853-S	101	53033P-S	87
34448	23	34798	117	43935	101	53036	97
34478	11, 13	34799	109	43956	113, 115	53353	73
34481P	87, 89	34814	35, 57	44368	79-80	53534	73
34482P	87, 89	34815	35, 57	44586	75	53605	73, 131
34483	87, 89	34816	35, 57	44612	79-80	5361	101
34484	15, 17, 37, 39	34817	35, 57	44950	131	53632P-S	79-80
34542	77	34818	35, 57	45066	17, 25-26, 39, 41, 47-48	5365	29, 51
34543	75	34819	35, 57	45071	15, 17, 37, 39	53758-S	85
34544	47-48	34820	35, 57	45072	15, 37	53759-S	85
34547	47-48	34822	53-54	45074	15, 17, 37, 39	53761-S	85
34550	95	34823	53-54	45139	113	53867	69
34551	69	34824	53-54	45161P	73, 91-93	53952	59, 71
34555	91-93	34825	32, 54	45166	91-93	53959	61-62, 69
34556	91-93	34826	31-32, 54	45170	31-32, 53-54, 91-93, 107, 109, 133	5397	111
34557	92-93, 133	34827	31-32, 54	45171	59, 65	53976	131
34558	107, 109	34828	92-93	45200	113	53985	19
34559	91-93	34829	31-32, 53-54	45201	113	53986	19
34560	93	34830	31-32, 53-54	45202	113	53989	19
34561	107, 109	34831	32, 54	45209	65, 69, 101	53991	19
34562	79-80, 89, 107, 109	34832	32, 54	45226	15, 37, 95, 103, 105	53993	19
		34833	31-32, 54	45313	113		
		34834	31-32, 54				
		34835	31-32, 54				
		34836	31-32, 54				
		34837	31-32, 53-54				

Part Number	Page	Part Number	Page	Part Number	Page	Part Number	Page
53994	19	63209	95	73182	21, 25-26, 41, 47-48	T108079	97, 103, 105
54071	61-62	63210	103, 105			T114678	71
54486	127	63213	105	73183	21, 25-26, 41, 47-48		
54525	85, 117	63215	15, 37				
54527-S	105	63311	127	73184	21, 25-26, 41, 47-48		
54627	19	63340	97				
54817P-S	113	63341	97	73185	19, 21, 25-26, 41, 47-48		
55753	127	63349	95				
56057	83	6356	19, 21, 25-26, 29, 41, 47-48, 51, 61-62, 65, 69, 71, 79-80, 83, 85, 89, 99, 101, 105, 111	73257	19		
56264	79-80			73258	19		
56680	25-26, 48			73259	19		
56704	125			73260	19		
56912	19, 21, 25-26, 41, 47-48, 111			73261	19		
58209	119	6550	113	7339	61-62, 71, 101		
58228	61-62, 69	65608	25-26, 47-48	73616	105		
58238	25-26, 41, 47-48	65618	79-80	73862P	79-80		
58256	71	6562	83	73919	25-26, 47-48		
58274	67	65770	61-62	74902	77		
58283	25-26, 41, 47-48	65802	25-26, 41, 47-48	75073	87, 89		
58301	131	65815	59, 71	75658	25-26, 47-48		
58402	131	65842	103, 105	75659	25-26, 47-48		
58480	59	65843	69	77046	11		
58489	75	65846	25-26, 41, 47-48	77069	75		
58923	123	65855	25-26, 41, 47-48	77071	75		
58928	59, 61-62	65865	47-48	7713	101		
58999	25-26, 41, 47-48	6605	69	77139	61-62, 71		
6002	69, 71	6607	75, 77, 95, 101	77170	59, 65		
6019	61-62, 69, 71, 87, 89, 113	6622	115	77181	111		
6021	15, 17, 37, 39, 61-62, 67, 69, 71, 75, 87, 89, 95, 97, 99, 101, 105, 111, 131	6637	101, 103, 105	77874	103		
6023	65	6638	19, 21, 25-26, 29, 41, 47-48, 51, 61-62, 65, 67, 69, 71, 75, 79-80, 83, 85, 87, 89, 97, 101, 103, 105, 111, 113, 117, 127, 131, 135	77875	105		
6024	65, 67, 75			79456	111		
6033	15, 25-26, 37, 47-48, 61-62, 79-80, 95, 103, 105, 113	66811	85	81175	105		
6035	65, 67	66812	85, 117	81331	79-80		
6066	125	66813	117	81640	111		
60857	61-62, 71	66815	117	8170	65, 71		
6086	15, 17, 37, 39	66816	85, 117	8177	15, 25-26, 37, 47-48, 61-62, 79-80, 95		
6090	19, 21, 25-26, 41, 47-48, 65, 69, 71, 79-80, 83, 85, 99, 101, 105, 113, 127	66818	85, 117	8179	47-48, 97, 101		
6091	29, 47-48, 51, 61-62, 67, 71, 75, 83, 87, 89, 101, 105, 111, 113, 117, 135	66821	85, 117	8220	15, 17, 37, 39		
6095	65, 87, 89	6884	29, 51, 97	824879	117		
6096	15, 17, 26, 37, 39, 48, 87, 89	6886	71, 75	8255	73, 75, 87, 101, 111, 131		
6097	61-62, 65, 69, 73, 75, 79-80, 87, 89, 101, 113	6888	75, 83, 87, 89, 101, 111, 113, 135	83081	47-48		
61306-S	105	6889	97, 101, 127	83084	25-26		
6146	29, 51, 95, 101, 125	6935	83, 115	83088	123		
6175	15, 17, 37, 39, 61-62, 67, 69, 75, 79-80, 87, 89, 95, 97, 99, 105, 131	7056	83, 115	84134	23, 43		
6178	115, 125	7113	113	84135	23, 43		
6179	61-62, 115	72245	119	8516	65, 87, 89, 95, 103, 105		
6198	65, 79-80	72255	71	88346	15, 17, 37, 39		
62417	105	72256	87, 89	88347	15, 17, 37, 39		
62449	97	72282	125	88356-11103	101		
63156	15, 17	72288	25-26, 41, 47-48	88356-127J5	95		
63201	97	72289	125	8843	115		
		72326	115, 125	8878	71		
		72356	123	8914	61-62, 101, 117		
		7261	25-26, 47-48	8915	61-62, 87, 89, 111		
		7265	127	8920	89		
		73075	21	89310	77		
		73076	21	89617	75		
		73077	21	89756	101		
		73078	21	89785	69		
		73079	21	89801	105		
		73080	19, 21	89915P	127		
		73082	21	94794	21		
		73180	21, 25-26, 41, 47-48	9596	127		
		73181	21, 25-26, 41, 47-48	9599-S	127		
				97128	101		
				97887	13		
				97890	11, 13		
				T108075	103, 105		
				T108076	105		
				T108077	105		
				T108078	103, 105		

Part Description Index

The Part Description Index is an alphabetical index of all part descriptions included in this manual. The index shows what page(s) the part is used on.

3

3/4" PUSH ON HOSE, 22" LONG.....31-32, 53-54

5

5/16-18 X .75 LG.FLG.LCK.SCREW.....19, 21, 71

A

ACTUATOR,FOR/DISCONNECT ROD.....25-26, 41, 47-48
 ADAPTER,6402-6-6.....53-54
 ADAPTER,6402-8-8.....93, 133
 ADAPTER,O-RING,G6410-10-8.....93, 133
 ADAPTER,STR.THRD.TO STR.THRD.....92-93
 AIR CLEANER.....59, 71
 AIRLINE ASSEMBLY.....129
 ALARM,DESCENT.....125
 ALARM,WARBLE TONE 5-30 VDC***.....115
 ALARM,INTERMITTENT TONE.24V.....125
 ALTERNATOR,LRG-423 RE-BUILT*.....59
 ANDERSON HOUSING,15-45 AMP BLK....113
 ANDERSON HOUSING,15-45 AMP GRN...113
 ANDERSON HOUSING,15-45,AMP,WHT...113
 ANGLE,CABLE TRACK TUBE PAINTED....101
 ANGLE,RELAY MOUNTING,PAINTED.....83
 ASSY, CIRCUIT BREAKER 15A.....85
 ASSY,RELAY SOCKET, AUTO.....83
 ASSY,S60/65 BOOM TUBE,V-BOTTOM.....97

B

BACKING PLATE, HOSE BLOCK, JIB.....111
 BACKLASH ADJUSTMENT PLATE S60.....79-80
 BAFFLE,AIR,DEUTZ,PAINTED.....67, 87
 BAFFLE,AIR,FORD,PAINTED.....87
 BALL STUD**.....87, 89
 BALL,CHECK (32810).....75
 BAR,AXLE ROTATION STOP,OSC.....25-26, 48
 BAR,AXLE ROTATION STOP,PAINTED.....25-26, 48
 BAR,HYD.SWIVEL MOUNT PAINTED.....79-80
 BASE, W/1 N.O. CONTACTS***.....117
 BASE,WITHOUT CONTACTS.....85, 117
 BATTERY HOLD DOWN,GROUP 31.....65, 71
 BATTERY,12V,1000 CCA GRP 31.....65, 71
 BEARING KIT, AUSCO***.....25-26, 47-48
 BEARING KIT,MICO.....25-26, 47-48, 79-80
 BEARING KIT,ROTATOR,9K***.....103, 105
 BEARING KIT,WHEEL DRIVE,S60***.....25-26, 41, 47-48
 BEARING, INNER CONE.....21
 BEARING,1.25IDX1.5ODX1.00L.....15, 17, 37, 39
 BEARING,1.5IDX1.75ODX1.5L.....15, 17, 37, 39
 BEARING,2.5"ID X 2.75 X 2.25"L.....25-26, 47-48
 BEARING,2.50IDX2.75ODX2.00L.....15, 37
 BEARING,2.50IDX3.00ODX2.00L.....95
 BEARING,FL,1.25ID X 1.41OD X 1.....103, 105

BEARING,GARLOCK,20FDU20.....105
 BEARING,GARLOCK,24DU24.....15, 37
 BEARING,GARLOCK,40DU26.....95
 BEARING,OUTER CONE.....19, 21
 BEARING,POLYGON,20DU12.....95, 103, 105
 BEARING,THRUST WASHER***.....25-26, 41, 47-48
 BEARING,TURNTABLE.....79-80
 BELLCRANK ASSY W/BEARINGS.....105
 BELT,TIMING,FORD LRG423/425EFI.....61-62
 BELT,V, DEUTZ DIESEL ENGINE.....67
 BLANKET,BATTERY.....135
 BOLT,CARRIAGE,1/4-20 X 1.00,G2.....111
 BOLT,CARRIAGE,1/4-20 X 2.75,G2.....111
 BOLT,COVER,WHEEL DRIVE,W3***.....25-26, 41, 47-48
 BOOM TUBE ASSEMBLY.....97, 99
 BOOT (20424).....119
 BOOT,CONTROLLER.....121, 123
 BOOT,THUMB 20424 JOYSTICK.....119
 BOOT,TOGGLE SWITCH,SHORT*.....85, 117, 131, 135
 BOX,INSTRUCTION STORAGE.....113
 BRACKET,ACTUATOR ARM MTG,PTD.....71
 BRACKET,AUX,PUMP MNT.PAINTED.....75
 BRACKET,COVER HINGE,BLUE.....87, 89
 BRACKET,COVER SUPPORT,S60 PNTD.....87, 89
 BRACKET,EXHAUST SUPPORT,PAINTD.....69
 BRACKET,HOSE CLAMP.....111
 BRACKET,LIMIT SWITCH EXT,BLUE*.....101
 BRACKET,LP REG/AIR FILTER,PNTD.....61-62
 BRACKET,SOLENOID MTG,PAINTED.....71
 BRACKET,T.T.COVER ADJ.LH,PNTD.....89
 BRACKET-PANEL-WIRE MOUNTING 99.....85, 117
 BRAKE,1200 INLB***.....25-26, 47-48
 BRAKE,900 IN*LB.....79-80
 BRAKE,LINING KIT,MICO...25-26, 47-48, 79-80
 BRCKET,AIR CLEANER MTG.PAINT.....71
 BRIDGE,50A FULL WAVE**.....131
 BRKT,AIR CLEANER ORIENTATION**.....59, 71
 BRKT,LIM SW,DRIVE ENBL,PAINTED.....79-80
 BRKT,TRNTBL,COV ADJ,RH,PAINTED.....87
 BRUSH ASSEMBLY.....131
 BULKHEAD,FEMALE X 4.....89
 BULKHEAD,FEMALE X 6 X 6.....129
 BUMPER, PLASTIC, 1.25 O.D.....127
 BUMPER,BATTERY BOX & RAILS.....127
 BUMPER,RUBBER***.....61-62, 67, 73
 BUMPER,RUBBER-1 X 1.25.....87, 89
 BUSHING,SPRING SEAT.....123
 BUTTON,PUSH,BLACK W/SEAL***.....117
 BUTTON,PUSH,RED MUSHROOM HEAD.....85, 117

C

CABLE COVER,JIB***.....105
 CABLE SQUEEZE CONN.....83
 CABLE SQUEEZE CONN.,XTRA LRG.....83, 115
 CABLE TIE,11.5" BLACK.....113

CABLE TIE,4" BLK,HEAT RESISTNT.....113
 CABLE TRACK SUPORT TUBE ASSY**.....101
 CABLE TRACK TRAY,DRILLED,S60**.....101
 CABLE TRACK TUBE WELDMENT S60.....101
 CAM ASSY (20424).....119
 CAP,DUST.....19
 CAP,DIAGNOSTIC NIPPLE.....23, 29, 43, 51, 77
 CAP,DUST.....21
 CAP,FUEL,GREEN*.....73
 CAP,FUEL,RED***.....73
 CAP,OIL FILLER,DEUTZ,DIESEL***.....69
 CAP,RADIATOR,FORD***.....65
 CAPACITOR,TIME DELAY.....115
 CARB REPAIR KIT, LSG/LRG-423.....59
 CARBURETOR,FORD-LRG 423,AUTO*.....59
 CARRIER TERMINAL(5 PER BLOCK).....83
 CASTING,45049, 40612.....121
 CLAMP, AIR CLEANER (27915)**.....59, 71
 CLAMP,0.75,#12 X 1/4,RUB CUSH.....85
 CLAMP,1.63,#26 X 3/8,RUB CUSH.....111
 CLAMP,HOSE,1.75,LINED.....59, 65
 CLAMP,HOSE,2.25" DIA.....65
 CLAMP,HOSE,3.00".....71
 CLAMP,HOSE,8.50 DIA***.....67
 CLAMP,HOSE,SIZE .25 TO .63.....73
 CLAMP,JIB HOSE/CABLE.....111
 CLAMP,MUFFLER,2 1/4" ID.....69
 CLAMP,RUBBER CUSHIONED-2 5/32.....105
 CLAMP,TWO HOSE.....111
 CLEVIS YOKE-1/4-28,PLTD W/PIN.....29, 51, 61-62, 71
 COIL WITH DE CONNECTOR.....75, 77
 COIL, 12V, 19972/21623/29069.....77
 COIL, AUTOMATIC CHOKE.....59
 COIL, ELECTRONIC IGN., FORD.....59
 COIL,12V.DO1 VALVE.....131
 COIL,SOLENOID,10V.....61-62, 67, 77, 105
 COLD START PKG,DEUTZ F3L1011.....135
 COMPR.LINK,MACHINED,GND CONTR*..105
 CONN,070120-4-6,W/.030 OR.....109
 CONN,070120-4-6,W/.035 OR.....109
 CONN,SQUEEZE,1/2NPT .38-.50,SM.....83, 115
 CONNECTOR ASSY,FOOTSWITCH S40...113
 CONNECTOR, DEUTZ FUEL SHUTOFF*.....71
 CONNECTOR,070102-6-6.....91-93
 CONNECTOR,070120-12-10.....53-54
 CONNECTOR,070120-12-12.....31-32, 53-54, 91-93, 133
 CONNECTOR,070120-12-8.....53-54
 CONNECTOR,070120-16-16.....91-93
 CONNECTOR,070120-4-4.....92-93, 107, 109
 CONNECTOR,070120-4-6.....92-93, 107, 109
 CONNECTOR,070120-6-4.....53-54
 CONNECTOR,070120-6-6.....35, 57, 92-93, 107, 109, 133
 CONNECTOR,070120-6-8.....35, 57, 92-93, 107, 109, 133
 CONNECTOR,070120-8-10.....91-93
 CONNECTOR,070120-8-12.....53-54
 CONNECTOR,070120-8-6.....35, 57
 CONNECTOR,070120-8-8.....35, 57, 93, 107, 109, 133
 CONNECTOR,070122-8-8....93, 107, 109, 133
 CONNECTOR,M18 X 8 JIC.....69
 CONTACT,N.O.....85, 117

CONTACT,NC.....85, 117
 CONTACTOR,LIMIT SWITCH...79-80, 95, 101
 CONTROL BOX COVER, RIGHT SIDE*.....127
 CONTROL BOX COVER,LEFT SIDE**.....127
 CONTROL BOX W/ DECAL,GROUND.....83, 85
 CONTROL BOX W/DECAL,PLAT.....115, 117
 COOLANT RETURN SYSTEM,Z45***.....61-62
 COUNTERWEIGHT TRAY,S60 PAINTED....87, 89
 COUNTERWEIGHT,CAST,400 LBS.***.....89
 COUPLER, METAL(53483).....25-26, 41, 47-48
 COUPLER,1/4"SERIES 3/8 MPT.....129
 COUPLER,HUB,15 TOOTH.....69
 COUPLER,HUB,15 TOOTH 7/16BOLT*.....61-62
 COUPLER,PUMP TO MOTOR (32810).....75
 COUPLING,FLYWHEEL,FL 15T 12.5".....61-62
 COVER ASSY, ENG. SIDE DIESEL**.....87
 COVER ASSY,ENGINE,GAS/LPG.....87
 COVER ASSY,TANK SIDE,T.TABLE.....89
 COVER CASTING,20424 CONTROLLER...119
 COVER LATCH ANGLE,PAINTED.....87, 89
 COVER PLATE (30668).....77
 COVER SUPPORT WELDMNT LH.....89
 COVER SUPPORT WELDMNT RH.....87
 COVER W/DECALS,DR.CHAS.STR.END...19, 21, 41
 COVER, AUXILIARY POWER SWITCH.....85, 117
 COVER, JIB HOSES/CABLES.....111
 COVER, SERVO (24667).....47-48
 COVER, TORQUE HUB.....25-26, 41, 47-48
 COVER,BOOM SECTION #1 PNTD.....99
 COVER,CABLE TRACK TRAY,S60,'95.....101
 COVER,CABLE TRACK TRAY,S60,'95'.....101
 COVER,CONTROL BOX LID.....127
 COVER,COUNTERWEIGHT,S60.....87, 89
 COVER,FRONT DEUTZ ENGINE.....67
 COVER,GFCI,WEATHERPROOF.....115
 COVER,KNOCK OUT HOLE,4 PER BAG...115
 COVER,LOWER CONT. BOX PAINTD.....89
 COVER,REAR AXLE BLUE.....25-26, 48
 COVER,SIDE ENGINE.....69
 COVER-TURNTABLE W/DECALS S60.....87
 COVER-TURNTABLE W/DECALS S65.....87
 COVR W/DECLS,DR CHAS,NS END....25-26, 47-48
 CTWT,CAST,400 LBS,LH.....89
 CTWT,CAST,400 LBS,RH.....89
 CYLINDER, EXTENSION, BOTTOM.....97
 CYLINDER, EXTENSION, TOP.....97
 CYLINDER, OSCILLATE, S60.....15, 37
 CYLINDER,JIB (STICK BOOMS).....105
 CYLINDER,LIFT,S60 BOBALEE**.....95
 CYLINDER,MASTER***95
 CYLINDER,S60/65 STEER***.....15, 17, 37, 39
 CYLINDER,SLAVE,3 X 11.38***.....103, 105

D

DECAL KIT,COSMETIC,S60.....11, 13
 DECAL KIT,COSMETIC,S65.....11, 13
 DECAL KIT,SAFETY/INSTRUCTIONA.....11, 13
 DECAL"GENIE 2 WD" WHITE.....11
 DECAL,ARROW BLUE.....13
 DECAL,ARROW YELLOW LRG 9".....13
 DECAL,COMPARTMENT ACCESS.....11

DECAL,COSMETIC,GENIE BOOM,VERT....13
 DECAL,COSMETIC,S-60,LARGE.....11
 DECAL,COSMETIC,S-60,SMALL.....13
 DECAL,COSMETIC,S-65,LARGE.....11
 DECAL,COSMETIC,S-65,SMALL.....13
 DECAL,COSMETIC,STRIPES,WHITE.....11
 DECAL,DANGER DO NOT ALTER SWTC....13
 DECAL,DANGER,ELEC.HAZ.STAY CLR....11, 13
 DECAL,DANGER,GEN SAFETY RULES....11, 13
 DECAL,DANGER,NO SMOKING***.....11
 DECAL,DIESEL.....11
 DECAL,GENIE 4 WD, WHITE.....11
 DECAL,GROUND CONTROL PANEL.....11
 DECAL,INSTR,MAX SIDE FRC,ANSI.....13
 DECAL,INSTRUCT,FOOTSWITCH OPER....13
 DECAL,LABEL,LIQUID PROPANE.....11
 DECAL,LABEL,MANUAL NOT HERE.....13
 DECAL,LABEL,UNLEADED GAS ONLY.....11
 DECAL,NOTICE, FORD ENG SPEC**.....11
 DECAL,NOTICE,DEUTZ ENG SPEC**.....11
 DECAL,NOTICE,HAZARDOUS MAT'LS*.....11
 DECAL,NOTICE,MAX LOAD 500 LBS.....13
 DECAL,NOTICE,MAX LOAD 600 LBS.....13
 DECAL,NOTICE,OPERATING INSTRN.....11, 13
 DECAL,NOTICE,SHUTOFF VALVES.....11
 DECAL,NOTICE,TIRE PRESSURE.....11
 DECAL,OPTION GENERATOR***.....13, 131
 DECAL,OPTION GLOW PLUGS***.....13, 135
 DECAL,PLATFORM CTRL PANEL ***.....13
 DECAL,POWER TO PLATFORM 115V.....11, 13
 DECAL,POWER TO PLATFORM 230V.....11, 13
 DECAL,S, BLUE, BLACK.....11
 DECAL,TRIANGLE,BLUE.....13
 DECAL,TRIANGLE,YELLOW.....13
 DECAL,USE DEXRON***.....11
 DECAL,WARN,CRUSH HAZARD HAND....11, 13
 DECAL,WARN,CRUSH HAZARD PLAT.....11
 DECAL,WARN,FALL HAZARD.....11
 DECAL,WARN,IMPROPER OPERATION.....13
 DIAGNOSTIC FEMALE Q-DSCNT.....23, 29, 43, 51, 77
 DIN RAIL,23.75".....83
 DIODE BLOCK SUPPRESSION.....83
 DIODE,6 AMP,200 PIV,BULK.....71, 83
 DIPSTICK.....71
 DIPSTICK, FORD LRG 423.....59
 DISCONNECT ROD, TORQUE HUB.....25-26, 41, 47-48
 DOOR CATCH,BASE CONTROL BOX....89
 DRIVE MOTOR REAR,2WD/7 DEGREE*...25-26
 DRVE MOTOR REAR,4WD/1DEGREE.....47-48

E

EDC ASSY,SAUER,M46***.....61-62, 69
 ELBOW,070202-12-16.....91-93, 133
 ELBOW,070202-4-4.....79-80
 ELBOW,070220-12-12.....53-54, 133
 ELBOW,070220-12-16.....31-32, 54
 ELBOW,070220-4-4.....32, 54, 92-93, 97, 107
 ELBOW,070220-4-6.....31-32, 53-54, 109

ELBOW,070220-6-6.....31-32, 35, 53-54, 57, 92-93
 ELBOW,070220-8-12.....32, 54, 91-93
 ELBOW,070220-8-8***.....133
 ELBOW,070221-12-12.....91-93, 133
 ELBOW,070320-12-12.....31-32, 53-54, 91-93
 ELBOW,070320-12-16.....91-93
 ELBOW,070320-12-8.....93, 133
 ELBOW,070320-6-8.....107, 109
 ELBOW,070320-8-8.....53-54
 ELBOW,070321-12-12.....92-93
 ELBOW,070321-6-6.....53-54
 ELBOW,130239-4-4.....73
 ELBOW,140238-16-16.....91-93, 133
 ELBOW,140339-16-16.....91-93
 ELBOW,90 DEGR,RUBBER,2.5" I.D.*.....71
 ELBOW,90DEG.1/4MPT,1/4SW,NPTF.....61-62
 ELBOW,90DEG.6 X 14.....59
 END HEAD, 32810 POWER UNIT.....75
 ENGINE BLOCK,FORD,GAS,LRG 423*.....59
 ENGINE, DEUTZ D2011L03I (SERV).....67
 EXHAUST,TAILPIPE,DEUTZ.....69
 EXT.CYL.MOUNTING PIN WLDMT.....97
 EXTENSION CYLINDER ASSY,S60**.....97
 EXU.,CABLE TRK.SUPPT,210"DRIL*.....101

F

FILTER ASSY W/INDICATOR LH.....73
 FILTER ASY,M PRESS,SAE8,WOIND*.....61-62, 71
 FILTER ELEMENT-10 MIC.***.....61-62, 71
 FILTER ELEMENT-10MICRON.....73
 FILTER MOUNT BRACKET.....61-62, 71
 FILTER SCREEN,TANK BREATHER.....73
 FILTER,AIR,ELEMENT***.....59, 71
 FILTER,ELEMENT,BETA(5)=1000.....61-62, 71
 FILTER,FUEL,LSG-423, IN-LINE.....59
 FILTER,FUEL/WTR SEP, DTZ 1008.....71
 FILTER,OIL.....71
 FILTER,OIL,FORD.....59
 FITTING-6 W/.025 ORIFICE.....92-93
 FLANGE-JOYSTICK MOUNTING,44988....123
 FLARE TUBE ASSEMBLY,SOLENOID.....91-93
 FLARE TUBE ASSY,BYPASS #1.....53-54
 FLARE TUBE ASSY,EXT.CYLINDER.....97
 FLARE TUBE ASSY,JIB COUNTERBAL.....109
 FLASHTUBE,STRAIGHT,360DEG,BULB....125
 FLASHTUBE,U SHAPED,360DEG,BULB...125
 FLYWHEEL COUPLING,TYPE FL.....69
 FLYWHEEL COVER,CASTING***69
 FOOT SWITCH***.....113
 FORMING,PINION GUARD,PAINTED.....79-80
 FUEL FILTER W/SEP,DEUTZ,1008.....71
 FUEL PUMP KIT,FORD LRG 423***.....75
 FUSE,3 AMP.....83

G

GAS STRUT,250 LBS FORCE***.....87, 89
 GAS STRUT,CONNECTOR (28301).....87, 89
 GASKET, WATER PUMP.....59
 GASKET,0.0005,SILVER (32810).....75
 GASKET,0.00075,GOLD (32810).....75
 GASKET,0.001,AMBER (32810).....75
 GASKET,BRAKE ASSY.....79-80
 GASKET,EXHAUST.....61-62, 69
 GASKET,GROUND CONTROL BOX.....83, 85

MICROSWITCH,V3L-139-D8.....121, 123
 MIDRAIL GUIDE (HOOK).....113
 MODULE,IGNITION/START,12/24V.....83
 MOTOR,12V DC (32810/32811)APU.....75
 MOTOR,12VDC,77066.....75
 MOTOR,HYDRAULIC GENERATOR.....131
 MOTOR,TURNTABLE ROT.(34114)***.....79-80
 MOTOR,WHEEL,25CC FIXED***.....41
 MOUNT,RAD,SUPPT,LH,BLUE.....65
 MOUNTING BAND (27915).....59
 MUFFLER**.....69
 MUFFLER,EXH,FORD,BIG BOOMS***.....61-62

N

NECK/HEAD-LIMIT SWITCH (88356).....101
 NIPPLE,DIAGNOSTIC,#4 PORT***.....23, 29, 43, 51, 77
 NIPPLE,HEX,140137-16.....91-93, 133
 NON-STEER AXLE ASSEMBLY S60%.....25-26, 47-48
 NUT & BOLT KIT (25883).....119
 Nut - Low Profile Nylock 3/8-16.....113
 NUT - PLASTIC,RING FOR ALARMS.....115, 125
 NUT, CP521-1 VALVE.....75, 77
 NUT,CASTLE, 1-1/4 - 12 UNF.....19
 NUT,DO1 VALVE.....131
 NUT,HEX,1/4-28.....29, 51, 61-62, 71
 NUT,HEX,JAM,1.25-7.....15, 17, 37, 39
 NUT,LOCKING-LG.FLANGE,1/4-20.....87, 89
 NUT,LP NYLOCK,1/2-13.....15, 17, 37, 39
 NUT,LP NYLOCK,1/4-20.....97, 101, 127
 NUT,LP NYLOCK,10-32.....61-62
 NUT,LP NYLOCK,3/8-16.....101
 NUT,LP NYLOCK,5/16-18.....69, 71
 NUT,LUG,3/4-16 X 7/8 RADIUS.....21, 25-26, 41, 47-48
 NUT,LUG,5/8-18 X 90 DEGREE,Z45.....19
 NUT,NYLOCK,1-8.....103, 105, 113
 NUT,NYLOCK,1/2-13.....65, 79-80
 NUT,NYLOCK,1/4-20.....29, 47-48, 51, 61-62, 67, 71, 75, 83, 87, 89, 101, 105, 111, 113, 117, 135
 NUT,NYLOCK,10-24.....29, 51
 NUT,NYLOCK,10-32.....115, 125
 NUT,NYLOCK,3/4-10.....79-80
 NUT,NYLOCK,3/8-16.....65, 73, 79-80, 87, 89, 95, 103, 105, 111, 113
 NUT,NYLOCK,5/8-11.....65, 67, 75
 NUT,SOLENOID VALVE.....61-62, 67, 77
 NUT,SOLENOID,2POS 3WAY.....105
 NUT,SPINDLE,2.00-12.....21
 NUT,WING,1/4-20.....65, 71

O

O-RING (2-114).....79-80
 O-RING***.....61-62, 69
 O-RING, D03 COIL.....77
 O-RING, DO1 VALVE.....75, 77, 131
 O-RING, TORQUE HUB COVER.....25-26, 41, 47-48
 O-RING,2-044 BUNA***.....79-80
 O-RING,BOOT,CONTROLLER.....121, 123
 O-RING,MOTOR TO BRAKE***.....25-26, 47-48
 O-RING,MOTOR TORQUE HUB 34115.....41

OIL FILLER CAP FOR LRG ENGINE.....59
 OPTION,ALARM PKG, STICK BOOM.....125
 OPTION,COLD START PKG,FORD LSG.....135
 ORFICE, 0.040".....45
 OUTLET,110V GFCl***.....115

P

PAD,NYLON-12 X 2 X 0.625 INCH.....79-80
 PAINT,AEROSOL,BRIGHT BLUE***.....11, 13
 PAINT,AEROSOL,GENIE GRAY***.....11, 13
 PAINT,WET,GENIE BLUE (1 GL)**.....11, 13
 PAINT,WET,GENIE GRAY (1 GL)**.....11, 13
 PCB,ASSY,24495.....121
 PCB,ASSY,BOOM ROTATE,40613*.....123
 PCB,ASSY,BOOM UP/DOWN,40613***.....123
 PIN ASSEMBLY,TURNTABLE ROTAT.....79-80
 PIN ASSY, RETAINER, SS I & II.....79-80
 PIN RETAINER,PRI.CYL.BLUE.....95
 PIN,1.25DIAX14.45LG,2HOLE.....105
 PIN,1.25DIAX3.37LG,1HOLE.....15, 17, 37, 39, 95
 PIN,1.25DIAX5.25LG,1HOLE.....103, 105
 PIN,1.25DIAX6.62LG,1HOLE.....95
 PIN,1.25DIAX7.00LG,1HOLE.....105
 PIN,1.25DIAX7.88LG,1HOLE.....105
 PIN,1.25DIAX8.30LG,2RING.....97, 103, 105
 PIN,1.25DIAX9.50LG,1HOLE.....103, 105
 PIN,1.50 DIA X 4.76 LG.GES1360.....15, 17, 37, 39
 PIN,1.50DIAX14.41LG,2RING.....97
 PIN,2.50DIAX13.75LG,1HOLE.....95
 PIN,2.50DIAX21.12LG,1HOLE.....25-26, 48
 PIN,2.50DIAX23.38LG,1HOLE.....15, 37
 PIN,2.50DIAX29.13LG,1HOLE.....95
 PIN,CLEVIS,.50 X 2.00 LG.....101
 PIN,COTTER,.125 X 1.5.....101
 PIN,COTTER,.375 X 3.5.....19, 21
 PIN,LOCK,SHORT***.....127
 PIN,OSC. AXLE/DRIVE CHASSIS.....15, 37
 PIN,PRI.CYL./SWING CHASSIS.....95
 PIN,PRIM.Boom,16.0 X 1.5 INCH.....15, 17, 37, 39
 PIN,ROLL,.094 X .875.....113
 PIN,ROLL,SST,25 X 2.25.....15, 17, 37, 39
 PINCH GUARD RAIL,6' PLATFORM.....127
 PINCH GUARD RAIL,8' PLATFORM**.....127
 PINION GEAR (SET).....79-80
 PISTON (30797).....29, 51
 PLASTIC END STOP.....83
 PLAT. ASSY,8 FT,SERV,S40/60/80.....113
 PLAT. ASSY,EURO,6 FT, S40.....113
 PLAT. ASSY,EURO,8 FT, S40.....113
 PLAT.ASSY,6FT-S40/S60-95' & S80.....113
 PLATE,ENGINE MOUNT,PAINTED.....65
 PLATE,JIB MANIFOLD MTG.PAINTED.....105
 PLATE,PUMP MOUNT,FORD,PAINTED.....61-62
 PLATE,SWING COVER LATCH.....87, 89
 PLATE,UK POWER TO PLATFORM.....115
 PLATFORM SUPPORT WELDMENT.....113
 PLATFORM SUPPORT WELDMENT***.....103, 105
 PLUG AND CAP KIT-SERVICE,37ø**.....23, 29, 31-32, 35, 43, 51, 53-54, 57, 77, 91-93, 107, 109, 133
 PLUG,1/4"SERIES,3/8 MPT.....129
 PLUG,HEX HEAD,090109A-6.....92-93
 PLUG,MALE,070109-6.....59, 69

PLUG,NYLON .50 BLACK DOMED.....85
 PLUG,NYLON 1.187 BLACK DOMED.....127
 PLUG,ORIFICE,0.052 INCH.....43
 PLUG,ORIFICE,0.070.....23, 43
 PLUG,PIPE,HEX HEAD,STL,1/4NPT.....73
 PLUG,SQUARE HEAD,3/4 MPT.....73
 PLUG,W/LATCH,4 POLE,ANDERSON.....113
 POTENTIOMETER (20424).....119
 POTENTIOMETER (34419).....123
 POTENTIOMETER (40613).....123
 POTENTIOMETER,45049.....121
 POWER UNIT,AUX PUMP 12VDC.....75
 PUMP ASSY, FUEL, DEUTZ DIESEL.....71
 PUMP ASSY,AUX.POWER UNIT 89617.....75
 PUMP, AUX. POWER UNIT.....75
 PUMP, WATER, WITH GASKET.....59
 PUMP,LIFT 1.403 C.I.***.....61-62, 69
 PUMP,VAR PISTON,2.8 C.I.***.....61-62, 69

R

RACE,INNER,30285.....19
 RACE,OUTER,30285.....19
 RADIATOR,FORD,LRG.....65
 RAILING CATCH CASTING--DRILLED.....127
 RECEPT.,SNAP-IN,4 POLE ANDERSN.....113
 RECEPTACLE, BRITISH, 110V.....115
 RECTIFIER ASSEMBLY.....131
 REDUCER,070123-10-4.....93, 107, 109
 REDUCER,070123-12-8.....31-32, 53-54, 133
 REDUCER,070123-8-6.....53-54
 REGULATOR DIAPH.KIT BEAM 120A.....62
 REGULATOR DIAPH.KIT BEAM 50/60.....62
 REGULATOR,LPG BEAM 60***.....62
 REGULATOR,LPG,BEAM #120A.....62
 RELAY,SPDT,12V(AUTO) PLUG IN**.....83
 RELAY,SPDT,12V(AUTO)**.....85, 115, 117
 RESISTOR,100 OHM,25 WATT.....117
 RESISTOR,15 OHMS,25W.....85
 RESISTOR,150 OHM,25 WATT.....117
 RETAINER PLATE,PINION GEAR***.....79-80
 RETAINER,GAS SPRING***.....87, 89
 RETAINER-N.C.PROPOR.SOLENOID.....77
 RING GEAR,DEUTZ F3 & F4L1011.....69
 RING GEAR,DEUTZ F3 & F4L1011F.....69
 RING GEAR,DEUTZ F3L2011F.....69
 RING GEAR,FORD***.....61-62
 RIVET,ALUM,ALUM,3/16BUTTHONHEAD....127
 RIVET,ALUM,ALUM,P,.156 X .375.....89
 RIVET,STEEL,P .25 X .375.....127
 ROCKER ASSY,HANDLE (20424)***.....119
 ROD END,.375 X 2.25**.....15, 17, 37, 39, 95
 ROD END,.375 X 3.69.....15, 37, 95, 103, 105
 ROD END,.50 X 4.....15, 17, 25-26, 37, 39, 48, 95
 ROD END,1/4-28 OSC.LINKAGE.....29, 51
 ROLLER ARM,LIMIT SWITCH***.....101
 ROLLER ARM-LIMIT SWITCH.....79-80
 ROTATOR ASSEMBLY,8.2K***.....103, 105

S

S40,60,80SPARE L.P.TANK W/BRKT.....131
 S60 AIRLINE TO PLATFORM.....129
 SADDLE BRCKT40613,34419,53073*.....123
 SADDLES-SET(24493,40613,53073).....123
 SCREW,HHC,1-8 X 12IN GRD.2***.....103, 105, 113
 SCREW,HHC,1/2-13 X 1, GR 5.....41

Part Description Index (continued)

SCREW,HHC,1/2-13 X 1.25 GR5.....103, 105, 113	SCRUBBER MUFFLER,DEUTZ,F4L1011.....69	SHROUD,RADIATOR LRG 423 BLUE**.....65
SCREW,HHC,1/2-13 X 1.5.....15, 25-26, 37, 47-48, 61-62, 79-80, 95	SEAL KIT (39345).....97, 105	SHUTDOWN SOLENOID,12V, DEUTZ.....71
SCREW,HHC,1/2-13 X 1.75.....79-80	SEAL KIT (ALL MANIFOLDS).....23, 29, 43, 51, 77	SLEEVE,NYLON,2" I.D.,BULK(100').....113
SCREW,HHC,1/2-13 X 2 GR5...15, 17, 26, 37, 39, 48, 87, 89	SEAL KIT***61-62, 69	SLIDING MIDRAIL KIT,PTD.....113
SCREW,HHC,1/2-13 X 3.....65	SEAL KIT, AUSCO (73918).....25-26, 47-48	SNAP PIN.....127
SCREW,HHC,1/2-13 X 4.....15, 17, 37, 39	SEAL KIT, APU.....75	SNAP RING, W3/W6 TORQUE HUB*...25-26, 41, 47-48
SCREW,HHC,1/2-13 X 4.5,GRD.8.....79-80	SEAL KIT, SOLENOID VALVE.....77	SNAP RING,EXTERNAL,1.25 DIA.**...97, 103, 105
SCREW,HHC,1/2-13 X 5 BLACK.....25-26, 47-48	SEAL KIT, SUNSTRAND.....47-48	SNAP RING,EXTERNAL,1.5 DIA***97
SCREW,HHC,1/4-20 X .5.....61-62, 71, 101	SEAL KIT, VALVE.....23, 43, 45, 77	SOLENOID CABLE ASSY***.....71
SCREW,HHC,1/4-20 X .625.....61-62, 101, 117	SEAL KIT, VALVE, #10.....23, 43, 77	SOLENOID VALVE,N.C. 2POS. 3WAY.....61-62, 67
SCREW,HHC,1/4-20 X .75.....19, 21, 25-26, 41, 47-48, 65, 69, 71, 79-80, 83, 85, 99, 101, 105, 113, 127	SEAL KIT, VALVE, #4.....77	SOLENOID, ANTI-DIESELING.....59
SCREW,HHC,1/4-20 X 1...75, 83, 87, 89, 101, 111, 113, 135	SEAL KIT,BRAKE***.....79-80	SOLENOID,12V CONTINUOUS***.....83, 135
SCREW,HHC,1/4-20 X 1.25.....61-62, 87, 89, 111	SEAL KIT,CONTROL VALVE.....29, 51	SOLENOID,77066.....75
SCREW,HHC,1/4-20 X 1.75.....101, 103, 105	SEAL KIT,CYL (63209).....95	SOLENOID,THROTTLE,.....71
SCREW,HHC,1/4-20 X 2.....75, 97, 127, 131	SEAL KIT,CYL,S60 (63201)***.....97	SOLENOID-GASOLINE FUEL.....73
SCREW,HHC,1/4-20 X 2.25.....47-48, 97, 101	SEAL KIT,DRIVE MOTOR (32952).....79-80	SPACER TUBE,.50 LG.....61-62, 67
SCREW,HHC,1/4-20 X 2.5.....29, 51, 97	SEAL KIT,DRIVE MOTOR,(24668).....25-26	SPACER,40X.50X.560.....71
SCREW,HHC,1/4-20 X 3.....29, 47-48, 51	SEAL KIT,FAIRFIELD (S1A2)***.....79-80	SPACER,LONG ANDERSON.....113
SCREW,HHC,1/4-20 X 4.....61-62, 67	SEAL KIT,HYD ROTARY COUPLER.....79-80	SPACER,NYLON,375.....115
SCREW,HHC,3/4-10 X 2.00,GR5.....95	SEAL KIT,HYD SWIVEL (37402)***.....79-80	SPACER,SHORT ANDERSON.....113
SCREW,HHC,3/4-10 X 4.5.....79-80	SEAL KIT,HYD.CYL. 34422.....95	SPARK PLUG,FORD.....59, 61-62
SCREW,HHC,3/8-16 X .75.....73, 75, 87, 101, 111, 131	SEAL KIT,HYDRAULIC CYLINDER.....15, 37, 97, 105	SPRING & BUSHING KIT,RETURN***.....121
SCREW,HHC,3/8-16 X 1.....15, 17, 37, 39, 61-62, 67, 69, 75, 79-80, 87, 89, 95, 97, 99, 105, 131	SEAL KIT,HYDRAULIC CYLINDER***15, 17, 37, 39, 95, 103, 105	SPRING CLIP,1/4-20,.025-.15X.5....19, 21, 25-26, 41, 47-48, 111
SCREW,HHC,3/8-16 X 1.25 GRD 5.....61-62, 69, 71, 87, 89, 113	SEAL KIT,LIFT PUMP**.....69	SPRING CLIP,3/8-16.....75, 87, 89, 131
SCREW,HHC,3/8-16 X 1.50,GR5.....65, 87, 89, 95, 103, 105	SEAL KIT,MICO.....25-26, 47-48, 79-80	SPRING,24493 CONTROLLER.....123
SCREW,HHC,3/8-16 X 1.75,GRD.8.....79-80, 101	SEAL KIT,PLAT ROTATE***105	SPRING,RETURN***.....119
SCREW,HHC,3/8-16 X 2.....79-80, 111	SEAL KIT,SAUER-DANFOSS M46***61-62, 69	SPUR GEAR (20424).....119
SCREW,HHC,3/8-16 X 3.25.....105	SEAL KIT,STEER CYL,S60/65***15, 17, 37, 39	STARTER ASSY - PRE 8/14/95.....67
SCREW,HHC,3/8-16 X 3.5,GR5.....69	SEAL KIT,SUN "CWCA" CB VALVES*.....97	STARTER SOLENOID, DEUTZ 25484.....67
SCREW,HHC,3/8-16 X 6.....101	SEAL KIT,SUNSTRAND.....41	STARTER,ENGINE,FORD LSG/LRG***.....61-62
SCREW,HHC,5/16-18 X 1 GR5.....75	SEAL KIT,SWIVEL (44368)***79-80	STEER AXLE ASSEMBLY, OSC, S-60.....15, 37
SCREW,HHC,5/8-11 X 1.75 GRD.8.....65, 69, 75	SEAL KIT,TORQUE HUB (34115)***25-26, 41, 47-48	STEER AXLE ASSY, NON OSC,S-60.....17, 39
SCREW,HHC,5/8-11 X 3.5.....65	SEAL KIT,UNIVERSAL,9K ROTATOR*.....103, 105	STRAINER ASSEMBLY,PAINTED.....73, 91-93
SCREW,HHC,M10 X 25MM,GR 8.8.....65	SEAL, GREASE.....19	STRAINER,FILLER NECK.....73
SCREW,HHC,M6 X 20MM,GR8.8.....71	SEAL,GREASE.....21	STRAP ASSY,TANK, 66 INCH.....73
SCREW,HHC,M8 X 20MM.....71	SEAL,LINK KIT***69	STROBE,FIREBOLT,12-80VDC,AMB**125
SCREW,PHIL,PHM,10-24 X.38,SEMS.....65	SEAL,LIP (33434)***25-26	STRUT,RH,FORD RADIATOR,PAINT.....65
SCREW,RHM,10-32 X .38.....125	SEAL,SHAFT-SUNSTRAND***.....69	STUD, HUB, 5/8-18 X 2 1/2.....19
SCREW,RHM,10-32 X 1.25.....61-62, 115	SENDING UNIT,OIL PRESS.,DEUTZ.....71	STUD,WHEEL,3/4-16.....21
SCREW,RHM,10-32 X 1.75.....95, 101	SENDING UNIT,OIL PRESSURE***.....59	STUD,WHEEL,3/4-16, (34115).....25-26, 41, 47-48
SCREW,SHC,1/2-13 X 4.50 ZINC.....25-26, 48	SENDING UNIT,OIL TEMP.....71	SUB PLATE (SPOOL VALVE).....75
SCREW,SHC,1/4-20 X 2.....75	SENDING UNIT,TMP,FRD,GM,PRK704.....59	SUPPORT,RAILING.....127
SCREW,SHC,10-24 X 1 (D01).....77	SENSOR, CRANK POSITION.....59	SUPPORT,WRIST,PAINTED-BLUE.....117
SCREW,SHC,10-24 X 1.250 (D01).....75, 77	SENSOR,COOLANT TEMP*.....59	SWITCH (20424).....119
SCREW,SHC,10-24 X 3.....77	SENSOR,LEVEL 4.5***75	SWITCH,HANDLE,20424.....119
SCREW,SHC,3/8-16 X 1.....61-62, 69	SERIAL # LABEL,MYLAR 4X8***11	SWITCH,LIMIT,W/6.25"SPRING ARM.....95
SCREW,SHC,5/8-11 X 2.25.....17, 25-26, 39, 41, 47-48	SERPENTINE BELT.....59	SWITCH,LIMIT,W/RLR ARM,NO/NC.....101
SCREW,SHC,5/8-11 X 3.00,A574.....79-80	SERVICE KIT, 5FT JIB.....105	SWITCH,LIMIT,W/ROLLER ARM.....79-80
SCREW,SHC,5/8-11 X 3.50,A574.....79-80	SERVICE KIT,5FT JIB.....111	SWITCH,TOGGLE,DPDT,2POS MAINT*.....85, 117, 131
SCREW,SHC,5/8-11 X 4,A574.....67	SHAFT ASSY W/HOUSING.....123	SWITCH,TOGGLE,DPDT,2POS MOMEN...85, 117
SCREW,SHS,10-24 X .625.....29, 51	SHAFT SEAL, APU.....75	SWITCH,TOGGLE,DPDT,3POS MAINT.....117
SCREW,SHS,5/8-11 X 3.....79-80	SHAFT W/GEAR.....121	SWITCH,TOGGLE,DPDT,3POS MOMEN...85, 117
SCREWDRIVER,TERMINAL BLOCK...83, 115	SHAFT,M46 15 TOOTH.....61-62, 69	S W I T C H , T O G G L E , S P D T , 3 P O S MOMEN*.....85, 117, 135
	SHAFT,W/NC STLY BLOCK,(20424)*.....119	SWITCH,VACUUM.....61-62
	SHEET,RUBBER,AIR INTAKE.....67	SWIVEL,45 DEGR.FEM.X 5/16 BARB.....73
	SHIM,AXLE ROTATION STOP,12GA.....25-26, 48	
	SHIM,AXLE ROTATION STOP,22GA.....25-26, 48	
	SHIM,SIDE PAD 16GA. 3 X 5.....97, 99	
	SHIM,WEAR PAD,5X 1.5 16GA.....97, 99	
	SHOCK MOUNT,SMALL.....65	

T

T-BOX,2.75 X 4.5 X 2.0.....115

- TANK STRAP,BOLT STYLE,62".....73
TANK, LP, 7 GAL.....73, 131
TANK,30 GALLON,PAINTED**.....73
TANK,HYDRAULIC,45 GALLON***.....73
TAPE,WARNING,BLK/YEL, 50***.....11, 13
TEE,BRANCH,070429-10-10.....93, 107, 109
TEE,BRANCH,070429-6-6.....31-32, 53-54,
91-93, 107, 109
TEE,BRANCH,070429-8-8.....93, 133
TEE,BRANCH,070433-6-6.....53-54
TEE,RUN,070428-12-12.....31-32, 53-54
TEE,RUN,070428-4-4.....32, 54
TEE,RUN,070428-6-6.....32, 35, 53-54, 57
TEE,RUN,070428-8.....35, 53-54, 57, 133
TEE,RUN,070432-10.....93, 107, 109
TEE,RUN,070432-12.....91-93, 133
TEE,RUN,070432-6-6.....92-93
TEE,RUN,070432-8.....31-32, 35, 54, 57, 91-
93
TEE,UNION,070401-12.....92-93
TERM RELAY,N-INSULATE 14-16 GA.....83
TERM,RELAY N-INSULATED 10-12 G.....83
TERM,RELAY,N-INSULATE 18-20 GA.....83
TERMINAL BLOCK(SINGLE),WAGO***.....83
TERMINAL BLOCK,WAGO.....115
TERMINAL,ANDERSON,30A 12-16 GA.....113
THERMOSTAT, FORD LRG.....59
THREADED ROD,(1/4-20),9.75.....65, 71
THREADED ROD,1/4-28 X 10 IN***.....61-62
THREADED ROD,1/4-28 X 15 IN***.....71
TIE ROD WELDMENT SET,S60.....15, 17, 37,
39
TIE ROD WELDMENT,S60***.....15, 17
TIRE & WHEEL ASSY,FOAM***.....19
TIRE & WHEEL ASSY.LEFT,FF S60.....21, 25-
26, 41, 47-48
TIRE & WHEEL ASSY.RIGHT,FF S60.....21,
25-26, 41, 47-48
TIRE & WHEEL ASSY: AIR.....19
TIRE & WHEEL LH, AIR S60.....21, 25-26, 41,
47-48
TIRE & WHEEL RH, AIR S60***.....21, 25-26,
41, 47-48
TIRE,38/65D-19.5,16PLY,OTR*.....19, 21, 25-
26, 41, 47-48
TOEBOARD,PLTFM ENTRY EUR,PNTD*...113
TOOL TRAY ACCESSORY***.....127
TORQUE HUB,36:1***.....79-80
TRACK,STEEL CABLE,86 LINKS***.....101
TRACTION MANIFOLD,2WD***.....23
TRIM,RUBBER EDGE,5/8 (BY INCH).....101
TUBE,SLIDING MIDRAIL,PAINTED.....113
TUBE,UHMW, 1 X .25.....101
- U**
- U-BOLT, KIT 5/16-18 X 2.5.....69
U-BOLT,3/8 X 1 YZ.....113
UNION,070101-12-12.....133
UNION,070101-6-6.....31-32
- V**
- VALVE ASSY,BLEED***.....103, 105
VALVE KIT,D03.....75, 77
VALVE, CHECK.....45
VALVE, CHECK, 5PSI.....45
VALVE, FLOW DIVIDE/COMB,24GPM.....45
VALVE, FLOW DIVIDE/COMBINE 1:1.....45
VALVE, RELIEF, 280PSI.....45
VALVE, SHUTTLE, FIXED.....45
VALVE,BALL,1" MPT X FPT.....91-93
VALVE,CHECK.....47-48
VALVE,CHECK (30797).....29, 51
VALVE,CHECK***.....77
VALVE,CHECK,#8 O-RING PORTS.....93, 133
VALVE,CHECK,PILOT OPERATED.....47-48
VALVE,COUNTERBAL.CACA-LHN@2000...97
VALVE,COUNTERBAL.CBCG-LJN@3000.103,
105
VALVE,COUNTERBAL.CWCA-LHN@2000..97
VALVE,COUNTERBALANCE.....15, 37, 77, 95,
103, 105
VALVE,COUNTERBALANCE 2500 PSI*.....79-
80
VALVE,COUNTERBALANCE SANDWICH....77
VALVE,DIFFERENTIAL SENSING.....29, 51
VALVE,DIFFERENTIAL SENSING***.....77
VALVE,DIRECTIONAL,2 POS 2 WAY....47-48
VALVE,DIRECTIONAL,2POS,2WAY.....47-48
VALVE,DRAIN,FORD,BLOCK,RAD.....61-62,
65
VALVE,DUAL CB MANIFOLD.....103, 105
VALVE,FLOW DIVIDER/COMBINER.....23, 43
VALVE,FLOW REG.,3.5GPM (34543).....75
VALVE,FLOW REGULATOR.....77
VALVE,FLOW REGULATOR 0.6GPM.....77
VALVE,FLOW REGULATOR 2.0 GPM.....77
VALVE,FLOW REGULATOR 3.5 GPM.....75
VALVE,FLOW REGULATOR 5.0 GPM.....77
VALVE,FUEL LOCK.....73
VALVE,INLINE CHECK.....73
VALVE,LOCK OFF,BEAM #FL-418.....61-62
VALVE,PCV-FORD LRG***.....59
VALVE,PILOT TO CLOSED CHECK.....47-48
VALVE,PRI. FLOW REG 4.3.....131
VALVE,PROPORTIONAL SOLENOID***.....77
VALVE,RELIEF.....77
VALVE,RELIEF 250 PSI***.....23, 43
VALVE,RELIEF 2600 PSI.....77
VALVE,RELIEF 2900 PSI***.....77
VALVE,RELIEF***.....77
VALVE,RELIEF,1500 PSI***.....131
VALVE,SEQUENCE.....97
VALVE,SHUTTLE.....23, 43
VALVE,SHUTTLE (30797).....29, 51
VALVE,SHUTTLE***.....29, 51, 79-80
VALVE,SOLENOID.....77
VALVE,SOLENOID (18660).....131
VALVE,SOLENOID,10V,2POS 3WAY**.....61-
62, 67, 105
VALVE,UNLOADER,P.O.....29, 51
VENTURI,BEAM (FORD) ***.....59
VLV,MAN,3 POS/4 WAY,OPEN CTR.....29, 51
- W**
- WASHER,FENDER,.25 X 1.25 X.062....87, 89,
113
WASHER,FLAT,.5 HARDENED.....25-26, 41,
48, 79-80
WASHER,FLAT,.625 HARDENED.....17, 25-
26, 39, 41, 47-48, 65, 69, 75, 79-80
WASHER,FLAT,.75 HARDENED.....79-80
WASHER,FLAT,1.000,HARDENED...103, 105,
113
WASHER,FLAT,2.0 X 4.5 X .25.....19, 21
WASHER,FLAT,2.5 X 4 X .062.....15, 25-26,
37, 47-48
WASHER,FLAT,MS,#10,Y.....29, 51, 95, 101,
125
WASHER,FLAT,USS,1/2",Y.....65, 87, 89
WASHER,FLAT,USS,1/4"Y.....19, 21, 25-26,
29, 41, 47-48, 51, 61-62, 65, 67, 69, 71, 75,
79-80, 83, 85, 87, 89, 97, 101, 103, 105, 111,
113, 117, 127, 131, 135
WASHER,FLAT,USS,3/8",Y.....61-62, 65, 69,
73, 75, 79-80, 87, 89, 101, 113
WASHER,FLAT,USS,5/16",Y.....111
WASHER,FLAT,USS,5/8",Y.....65, 67
WASHER,LOCK,#10 PLTD.....75, 77, 95, 101
WASHER,LOCK,.25.....19, 21, 25-26, 29, 41,
47-48, 51, 61-62, 65, 69, 71, 79-80, 83, 85,
89, 99, 101, 105, 111
WASHER,LOCK,.313.....71, 75
WASHER,LOCK,.375.....15, 17, 37, 39, 61-62,
67, 69, 71, 75, 87, 89, 95, 97, 99, 101, 105,
111, 131
WASHER,LOCK,.75 PLTD.....95
WASHER,LOCK,0.5".....15, 25-26, 37, 47-48,
61-62, 79-80, 95, 103, 105, 113
WASHER,LOCK,M10.....65
WASHER,REDUCING 3/4" TO 1/2".....115
WASHER,SHIM,1.27 X 2.13 X .062....103, 105
WASHER,THRUST,W3 HUB (53483).....25-26,
41, 47-48
WASHER,THRUST,(33434)**.....25-26, 41, 47-
48
WASHER,THRUST,1.5 X 3.5 X .187.....15, 17,
37, 39
WASHER,THRUST,2.56 X 4.0 X.18.....15, 25-
26, 37, 47-48
WEAR PAD,3 X 1.5 X.625 W/NUTS.....111
WEAR PAD,4X2X.5 W/INSERT***.....65, 69,
101
WEAR PAD,5 X 1.5 X .625 W/NUTS.....97, 99
WEAR PAD,5 X 1.5 X .75 W/NUTS.....97
WEAR PAD,5 X 3 X .625 W/INSER.....97, 99
WEAR PAD,BOTTOM,CABLE TRACK.....101
WEAR PAD,CABLE TRACK.....101
WEAR PAD,CABLE TRACK TUBE.....101
WEAR PAD,CABLE TRCK OUTER TUBE...101
WEAR PAD,CORNER,CABLE TRACK.....101
WEAR PAD,EXTENSION CYLINDER.....97
WELD,BOOM,#2,V-BOTTOM.....97, 99
WELDMENT, ENGINE MODULE PLATE.....65,
67
WELDMENT, ROD END.....15, 17, 37, 39
WELDMENT,DEUTZ ENGINE MOUNT.....67
WELDMENT,FORD ENG MT,OUTBOARD...65
WELDMENT,FORD ENG.MNT,INBOARD....65
WELDMENT,HYD TANK MODULE.....75
WELDMENT,RAD MNT LRG423.....65
WELMNT,DEUTZ ENGINE MOUNT.....67
WHEEL DRIVE,W3 73:1***.....25-26, 41, 47-
48
WHEEL, 19.5 X 12.2 ,10 HOLE***...21, 25-26,
41, 47-48
WHEEL,19.5 X 11.75***.....19
WIRE CABLE,14/3 CON.TPE JKT*.....113, 115
WIRE CABLE,16/4 SJO,BULK.....83
WIRE CABLE,18/19 CON.TPRJKT.....83, 115
WIRE LOOM,3/8 POLY SLIT.....113
WIRE SET (LRG 423) LG SET**.....59, 61-62
WIRE,12/3 SJEOW,BULK,BLK-WHT-G.....83,
115
WIRING DUCT/COVER, 1 X 72 IN**.....83
WIRING KIT,JIB TIME DELAY IC.....115

Part Description Index (continued)

WLDMT.FUNCTION MAN. MNT. S40.....75

Y

YOKE ASSEMBLY, LEFT SIDE 4WD.....37, 39

YOKE ASSEMBLY, LEFT SIDE, 2WD.....15, 17

YOKE ASSEMBLY, RIGHT SIDE 4WD.....37,
39YOKE ASSEMBLY, RIGHT SIDE, 2WD.....15,
17

YOKE ASSEMBLY,L.S.,2WD, S-60.....15, 17

YOKE ASSEMBLY,R.S.,2WD, S-60.....15, 17

Z

ZERK,GREASE,1/8 NPT.....89

This Page Intentionally Left Blank

Fitting Cross References

Genie PN	Parker PN	Description	Genie PN	Parker PN	Description
12342	6-4 F5OX-S	CONNECTOR,STRAIGHT THREAD TO FLARE TUBE	42794	1 CR-S	ELBOW,90°,MALE PIPE
13757	4 R6X-S	RUN TEE,SWIVEL NUT,ORFS	42795	BV-0839	BALL VALVE
19685	12-10 C5OX-S	ELBOW,90°,STRAIGHT THREAD TO FLARE TUBE	42796	BV-0838	BALL VALVE
22664	12-10 C5OX	ELBOW,90°,STRAIGHT THREAD TO FLARE TUBE	42874	6-8 CLO-S	ELBOW,90°,MALE PIPE TO ORFS
27431	8-12 F5OX-S	CONNECTOR,STRAIGHT THREAD TO FLARE TUBE	42912	13943-6-4	HOSE END,90° FEMALE SWIVEL,JIC
28678	AS-B-33	SLEEVE,NYLON,1.81" ID	42920	BV-0840	BALL VALVE,90°
39871	6 WETX-WLN-S	UNION,90° BULKHEAD W/NUT,FLARE TUBE	42932	AS-B-17	SLEEVE,NYLON,1.22" ID
39872	4 R5OX-S	RUN TEE,STRAIGHT THREAD	42936	10243-2-4	HOSE END,FEMALE PIPE
39873	6 C5OX-S	ELBOW,90°,STRAIGHT THREAD TO FLARE TUBE	42953	1/2 DD-S	ELBOW,90°,FEMALE PIPE
39874	8-6 C5OX-S	ELBOW,90°,STRAIGHT THREAD TO FLARE TUBE	42956	6 WELO-WLNL-S	UNION,90° BULKHEAD W/NUT,ORFS
39875	4-6 C5OX-S	ELBOW,90°,STRAIGHT THREAD TO FLARE TUBE	45349	8 V5OX-S	ELBOW,45°,STRAIGHT THREAD TO FLARE TUBE
39876	6-8 C5OX-S	ELBOW,90°,STRAIGHT THREAD TO FLARE TUBE	45351	4 V5OX-S	ELBOW,45°,STRAIGHT THREAD TO FLARE TUBE
39877	4 F5OX-S	CONNECTOR,STRAIGHT THREAD TO FLARE TUBE	47223	10343-6-6	HOSE END,MALE,JIC
39878	6 F5OX-S	CONNECTOR,STRAIGHT THREAD TO FLARE TUBE	47419	PS690503-6-6	SWIVEL,90°,STRAIGHT THREAD TO 37° FLARE
39879	4-8 F5OX-S	CONNECTOR,STRAIGHT THREAD TO FLARE TUBE	48750	421-4	HOSE,1/4 INCH ID
39880	6-10 F5OX-S	CONNECTOR,STRAIGHT THREAD TO FLARE TUBE	48751	481TC-4	HOSE,1/4 INCH ID
39881	4-6 F5OX-S	CONNECTOR,STRAIGHT THREAD TO FLARE TUBE	48752	482TC-4	HOSE,1/4 INCH ID
39882	4-HP5ON-S	PLUG,STRAIGHT THREAD	48753	451TC-6	HOSE,3/8 INCH ID
39883	8-8 FTX-S	CONNECTOR,MALE PIPE TO FLARE TUBE	48754	482TC-6	HOSE,3/8 INCH ID
39885	269HB 12-12	ELBOW,90°,BEADED HOSE BARB TO MALE PIPE	48755	381-6	HOSE,3/8 INCH ID
39886	431-6	HOSE,3/8 INCH ID	48756	451TC-8	HOSE,1/2 INCH ID
39887	540N-2	HOSE,1/8 INCH ID	48757	482TC-8	HOSE,1/2 INCH ID
39888	801-8	HOSE,1/2 INCH ID	48758	381-8	HOSE,1/2 INCH ID
39889	801-12	HOSE,3/4 INCH ID	48759	381-10	HOSE,5/8 INCH ID
39890	10643-6-6	HOSE END,FEMALE SWIVEL,JIC	48760	451TC-10	HOSE,5/8 INCH ID
39891	13943-6-6	HOSE END,90° FEMALE SWIVEL,JIC	48761	482TC-12	HOSE,3/4 INCH ID
39892	13743-6-6	HOSE END,45° FEMALE SWIVEL,JIC	48762	451TC-12	HOSE,3/4 INCH ID
39894	30682-8-8	HOSE END,FEMALE SWIVEL,JIC	48763	772-12	HOSE,3/4 INCH ID
39895	30682-10-12	HOSE END,FEMALE SWIVEL,JIC	48764	881-16	HOSE,1 INCH ID
42286	8-8 CTX-S	ELBOW,90°,MALE PIPE TO FLARE TUBE	48765	772-16	HOSE,1 INCH ID
42756	8-12 CLO-S	ELBOW,90,MALE PIPE TO ORFS	48766	AS-B-15	SLEEVE,NYLON,1.06" ID
42757	8-12 FLO-S	CONNECTOR,MALE PIPE TO ORFS	48767	AS-B-22	SLEEVE,NYLON,1.42" ID
42758	4 JLO-S	UNION TEE,ORFS	48770	881-8	HOSE,1/2 INCH ID
42759	4-4 FLO-S	CONNECTOR,MALE PIPE TO ORFS			
42760	6-8 FLO-S	CONNECTOR,MALE PIPE TO ORFS			
42761	1J143-6-4	HOSE END,90° FEMALE SWIVEL,SEAL LOK			
42762	1J743-6-4	HOSE END,45° FEMALE SWIVEL,SEAL LOK			
42768	1JO43-4-4	HOSE END,MALE,SEAL LOK			
42776	601-8	HOSE,1/2 INCH ID			
42777	1J743-16-16	HOSE END,45° FEMALE SWIVEL,SEAL LOK			
42786	16 CLO-S	ELBOW,90°,MALE PIPE TO ORFS			
42787	16 R6LO-S	RUN TEE,SWIVEL NUT,ORFS			
42788	16-8 TRLO-BL-S	REDUCER,TUBE END TO SWIVEL,ORFS			
42789	6-6 CLO-S	ELBOW,90°,MALE PIPE TO ORFS			
42790	8-10 V5OLO-S	ELBOW,45°,STRAIGHT THREAD TO ORFS			
42791	3/4 CD-S	ELBOW,90°,MALE TO FEMALE PIPE			
42792	3/4 X 1/2 PTR-S	REDUCER,MALE TO FEMALE PIPE			
42793	1/2 CR-S	ELBOW,90°,MALE PIPE			

Fitting Cross References (Continued)

Genie PN	Parker PN	Description
48771	881-10	HOSE,5/8 INCH ID
48772	381-4	HOSE,1/4 INCH ID
48773	AS-B-13	SLEEVE,NYLON,.86" ID
48800	1JC43-4-4	HOSE END,FEMALE SWIVEL,SEAL LOK
48801	1J743-4-4	HOSE END,45° FEMALE SWIVEL,SEAL LOK
48802	1J943-4-4	HOSE END,90° FEMALE SWIVEL,SEAL LOK
48804	1JM43-4-4	HOSE END,MALE,SEAL LOK, NO O-RING
48805	10643-4-4	HOSE END,FEMALE SWIVEL,JIC
48806	13943-4-4	HOSE END,90° FEMALE SWIVEL,JIC
48807	1JS43-4-4	HOSE END,FEMALE SWIVEL,SEAL LOK
48808	3JC82-8-8	HOSE END,FEMALE SWIVEL,SEAL LOK
48809	3JC82-12-12	HOSE END,FEMALE SWIVEL,SEAL LOK
48810	1JC43-6-4	HOSE END,FEMALE SWIVEL,SEAL LOK
48811	1J943-6-4	HOSE END,90° FEMALE SWIVEL,SEAL LOK
48812	1JC43-6-6	HOSE END,FEMALE SWIVEL,SEAL LOK
48813	1J143-6-6	HOSE END,90° FEMALE SWIVEL,SEAL LOK
48814	1J543-6-6	HOSE END,90° FEMALE SWIVEL,SEAL LOK
48815	1J743-6-6	HOSE END,45° FEMALE SWIVEL,SEAL LOK
48816	1J943-6-6	HOSE END,90° FEMALE SWIVEL,SEAL LOK
48817	1JS43-6-8	HOSE END,FEMALE SWIVEL,SEAL LOK
48818	1J943-8-4	HOSE END,90° FEMALE SWIVEL,SEAL LOK
48819	1JC43-8-6	HOSE END,FEMALE SWIVEL,SEAL LOK
48820	1J743-8-6	HOSE END,45° FEMALE SWIVEL,SEAL LOK
48821	1J943-8-6	HOSE END,90° FEMALE SWIVEL,SEAL LOK
48822	1JC43-8-8	HOSE END,FEMALE SWIVEL,SEAL LOK
48823	1JS43-8-8	HOSE END,FEMALE SWIVEL,SEAL LOK
48824	1J143-8-8	HOSE END,90° FEMALE SWIVEL,SEAL LOK
48825	1J543-8-8	HOSE END,90° FEMALE SWIVEL,SEAL LOK
48826	1J743-8-8	HOSE END,45° FEMALE SWIVEL,SEAL LOK
48827	1J943-8-8	HOSE END,90° FEMALE SWIVEL,SEAL LOK
48828	1JC43-10-8	HOSE END,FEMALE SWIVEL,SEAL LOK
48829	1JS43-10-8	HOSE END,FEMALE SWIVEL,SEAL LOK
48830	1J743-10-8	HOSE END,45° FEMALE SWIVEL,SEAL LOK
48831	1J943-10-8	HOSE END,90° FEMALE SWIVEL,SEAL LOK
48833	1JC43-10-10	HOSE END,FEMALE SWIVEL,SEAL LOK
48834	1J943-10-10	HOSE END,90° FEMALE SWIVEL,SEAL LOK
48835	1JS43-10-12	HOSE END,FEMALE SWIVEL,SEAL LOK
48836	1JC43-12-8	HOSE END,FEMALE SWIVEL,SEAL LOK
48837	1JS43-12-8	HOSE END,FEMALE SWIVEL,SEAL LOK
48838	1J743-12-8	HOSE END,45° FEMALE SWIVEL,SEAL LOK
48839	1J943-12-8	HOSE END,90° FEMALE SWIVEL,SEAL LOK
48840	1J943-12-10	HOSE END,90° FEMALE SWIVEL,SEAL LOK
48841	1JC43-12-12	HOSE END,FEMALE SWIVEL,SEAL LOK
48842	1JO43-12-12	HOSE END,MALE,SEAL LOK
48843	1J143-12-12	HOSE END,90° FEMALE SWIVEL,SEAL LOK
48844	1J543-12-12	HOSE END,90° FEMALE SWIVEL,SEAL LOK
48845	1J743-12-12	HOSE END,45° FEMALE SWIVEL,SEAL LOK
48846	1J943-12-12	HOSE END,90° FEMALE SWIVEL,SEAL LOK

Genie PN	Parker PN	Description
48847	13943-12-12	HOSE END,90° FEMALE SWIVEL,JIC
48848	10543-12-12	HOSE END,MALE,STRAIGHT THREAD
48849	1JC71-12-12	HOSE END,FEMALE SWIVEL,SEAL LOK
48850	1JS71-12-12	HOSE END,FEMALE SWIVEL,SEAL LOK
48851	1J171-12-12	HOSE END,90° FEMALE SWIVEL,SEAL LOK
48852	1J771-12-12	HOSE END,45° FEMALE SWIVEL,SEAL LOK
48853	1J971-12-12	HOSE END,90° FEMALE SWIVEL,SEAL LOK
48854	1JC43-16-16	HOSE END,FEMALE SWIVEL,SEAL LOK
48855	1J943-16-16	HOSE END,90° FEMALE SWIVEL,SEAL LOK
48856	1J171-16-16	HOSE END,90° FEMALE SWIVEL,SEAL LOK
48857	1J971-16-16	HOSE END,90° FEMALE SWIVEL,SEAL LOK
48859	1JS43-8-4	HOSE END,FEMALE SWIVEL,SEAL LOK
48867	PD36BTL	DIAGNOSTIC NIPPLE,SEAL-LOK SWIVEL
48873	6 PNLO-S	PLUG,TUBE END,ORFS
48874	6 PNTX-S	PLUG,FLARE TUBE
48875	6 R6LO-S	RUN TEE,SWIVEL NUT,ORFS
48877	4 F5OLO-SW/.025	CONNECTOR,STRAIGHT THREAD TO ORFS, W/.025 ORI
48878	16-12 C5OLO-S	ELBOW,90°,STRAIGHT THREAD TO ORFS
48879	8 C6LO-S	ELBOW,90°,SWIVEL NUT ORFS
48880	PD6-285	CAP,DIAGNOSTIC NIPPLE
48881	6 HLO-S	UNION,ORFS
48883	8 P5ON-S	PLUG,STRAIGHT THREAD
48884	8M18F87OMLO-S	CONNECTOR,METRIC,STRAIGHT THREAD TO ORFS
48885	4 WGTX-WLN-S	CONNECTOR,BULKHEAD,FEMALE PIPE TO FLARE TUBE
48886	4 F5OLO-SW/2MM	CONNECTOR,MACHINED STRAIGHT THREAD TO ORFS
48887	4 CTX-S	ELBOW,90°,MALE PIPE TO FLARE TUBE
48888	10-12 V5OLO-S	ELBOW,45°,STRAIGHT THREAD TO ORFS
48890	4 S5OLO-S	BRANCH TEE,STRAIGHT THREAD TO ORFS
48891	4 S6LO-S	BRANCH TEE,SWIVEL NUT TO ORFS

Fitting Cross References (Continued)

Genie PN	Parker PN	Description	Genie PN	Parker PN	Description
48892	6 C6LO-S	ELBOW,90°,SWIVEL NUT ORFS	48938	8 R6LO-S	RUN TEE,SWIVEL NUT,ORFS
48893	6 F5OHAO-S	UNION,STRAIGHT THREAD	48939	8 S6LO-S	BRANCH TEE,SWIVEL NUT TO ORFS
48894	8 WLO-WLNL-S	UNION,BULKHEAD,ORFS	48940	8 WJLO-WLNL-S	RUN TEE, BULKHEAD,ORFS
48895	DT-370-MSMO-5	VALVE,CHECK	48941	8-4 TRLO-S	REDUCER,TUBE END TO SWIVEL,ORFS
48896	6 JLO-S	UNION,TEE,ORFS	48942	8-6 C5OLO-S	ELBOW,90°,STRAIGHT THREAD TO ORFS
48897	DT-750-MSMS-5	VALVE,CHECK	48943	8-6 F5OLO-S	CONNECTOR,STRAIGHT THREAD TO ORFS
48898	DT-750-MOMS-5	VALVE,CHECK	48944	8-8 FLO-S	CONNECTOR,MALE PIPE TO ORFS
48899	DT-620-MOMS-5	VALVE,CHECK	48945	8 FTX-S	CONNECTOR,MALE PIPE TO FLARE TUBE
48900	4-6 F5OLO-SW/.035	CONNECTOR,STRAIGHT THREAD TO ORFS, W/.035 ORI	48946	8-10 F5OLO-S	CONNECTOR,STRAIGHT THREAD TO ORFS
48902	16-1 AOE4G-S	ELBOW,90° LONG,FEMALE PIPE TO STRAIGHT THREAD	48947	8-12 C5OLO-S	ELBOW,90°,STRAIGHT THREAD TO ORFS
48903	1 FF-S	NIPPLE,PIPE	48948	8-12 F5OLO-S	CONNECTOR,STRAIGHT THREAD TO ORFS
48904	4 C5OLO-S	ELBOW,90°,STRAIGHT THREAD TO ORFS	48949	8-16 F5OLO-S	CONNECTOR,STRAIGHT THREAD TO ORFS
48905	4 F5OLO-S	CONNECTOR,STRAIGHT THREAD TO ORFS	48950	10 C5OLO-S	ELBOW,90°,STRAIGHT THREAD TO ORFS
48906	4 R5OLO-S	RUN TEE,STRAIGHT THREAD	48951	10 CC5OLO-S	ELBOW,90° LONG,STRAIGHT THREAD TO ORFS
48907	4 V5OLO-S	ELBOW,45°,STRAIGHT THREAD TO ORFS	48952	10 F5OLO-S	CONNECTOR,STRAIGHT THREAD TO ORFS
48908	4 R6LO-S	RUN TEE,SWIVEL NUT,ORFS	48953	10 R5OLO-S	RUN TEE,STRAIGHT THREAD
48909	4 WJLO-WLNL-S	RUN TEE, BULKHEAD,ORFS	48954	10 S5OLO-S	BRANCH TEE,STRAIGHT THREAD TO ORFS
48910	4 GTX-S W/.030	CONNECTOR,FEMALE PIPE TO FLARE TUBE	48955	10 R6LO-S	RUN TEE,SWIVEL NUT,ORFS
48911	4-6 C5OLO-S	ELBOW,90°,STRAIGHT THREAD TO ORFS	48956	10-4 TRLO-BL-S	REDUCER,TUBE END TO SWIVEL,ORFS
48912	4-6 F5OLO-S	CONNECTOR,STRAIGHT THREAD TO ORFS	48957	10-6 TRLO-BL-S	REDUCER,TUBE END TO SWIVEL,ORFS
48913	4-6 F5OLO-SW/.030	CONNECTOR,STRAIGHT THREAD TO ORFS, W/.030 ORI	48958	10-12 F5OLO-S	CONNECTOR,STRAIGHT THREAD TO ORFS
48914	4-8 F5OLO-S	CONNECTOR,STRAIGHT THREAD TO ORFS	48959	12 C5OLO-S	ELBOW,90°,STRAIGHT THREAD TO ORFS
48915	6 C5OLO-S	ELBOW,90°,STRAIGHT THREAD TO ORFS	48960	12 F5OLO-S	CONNECTOR,STRAIGHT THREAD TO ORFS
48916	6 F5OLO-S	CONNECTOR,STRAIGHT THREAD TO ORFS	48961	12 R5OLO-S	RUN TEE,STRAIGHT THREAD
48917	6 FF5OLO-S	CONNECTOR,LONG,STRAIGHT THREAD TO ORFS	48962	12 S5OLO-S	BRANCH TEE,STRAIGHT THREAD TO ORFS
48918	6 R5OLO-S	RUN TEE,STRAIGHT THREAD	48963	12 V5OLO-S	ELBOW,45°,STRAIGHT THREAD TO ORFS
48919	6 S5OLO-S	BRANCH TEE,STRAIGHT THREAD TO ORFS	48964	12 R6LO-S	RUN TEE,SWIVEL NUT,ORFS
48920	6 V5OLO-S	ELBOW,45°,STRAIGHT THREAD TO ORFS	48965	12 CLO-S	ELBOW,90°,MALE PIPE TO ORFS
48921	6 FLO-S	CONNECTOR,MALE PIPE TO ORFS	48966	12 FLO-S	CONNECTOR,MALE PIPE TO ORFS
48922	6-6 FLO-S	CONNECTOR,MALE PIPE TO ORFS	48967	12 JLO-S	UNION TEE,ORFS
48923	6 P5ON-S	PLUG,STRAIGHT THREAD	48968	12 WLO-WLNL-S	UNION,BULKHEAD,ORFS
48925	6 WELO-S	UNION,90° BULKHEAD,ORFS	48969	12 WJLO-WLNL-S	RUN TEE, BULKHEAD,ORFS
48926	6-4 C5OLO-S	ELBOW,90°,STRAIGHT THREAD TO ORFS	48970	12 WELO-WLNL-S	UNION,90° BULKHEAD W/NUT,ORFS
48927	6-4 F5OLO-S	CONNECTOR,STRAIGHT THREAD TO ORFS			
48928	6-4 V5OLO-S	ELBOW,45°,STRAIGHT THREAD TO ORFS			
48929	6-8 C5OLO-S	ELBOW,90°,STRAIGHT THREAD TO ORFS			
48930	6-8 F5OLO-S	CONNECTOR,STRAIGHT THREAD TO ORFS			
48931	6-10 F5OLO-S	CONNECTOR,STRAIGHT THREAD TO ORFS			
48932	8 C5OLO-S	ELBOW,90°,STRAIGHT THREAD TO ORFS			
48933	8 F5OLO-S	CONNECTOR,STRAIGHT THREAD TO ORFS			
48934	8 FF5OLO-S	CONNECTOR,LONG,STRAIGHT THREAD TO ORFS			
48935	8 R5OLO-S	RUN TEE,STRAIGHT THREAD			
48936	8 S5OLO-S	BRANCH TEE,STRAIGHT THREAD TO ORFS			
48937	8 V5OLO-S	ELBOW,45°,STRAIGHT THREAD TO ORFS			

Fitting Cross References (Continued)

Genie PN	Parker PN	Description	Genie PN	Parker PN	Description
48971	12 G5G5JG5-S	TEE,FEMALE STRAIGHT THREAD	49612	PKT02586	O-RING KIT (ORFS FITTINGS)
48972	12 XHL6-S	ADAPTER, 37° MALE TO SWIVEL ORFS	49613	PKT06276	PLUG AND CAP KIT-SERVICE,ORFS
48973	12-1/2 F5OG-S	ADAPTER,FEMALE PIPE TO STRAIGHT THREAD	49728	10143-12-12	HOSE END, MALE PIPE
48974	12-10 C5OLO-S	ELBOW,90°,STRAIGHT THREAD TO ORFS	49729	16-1 F5OG-S	ADAPTER,FEMALE PIPE TO STRAIGHT THREAD
48975	12-10 F5OLO-S	CONNECTOR,STRAIGHT THREAD TO ORFS	49814	12-8 FLO-S	CONNECTOR,MALE PIPE TO ORFS
48976	12-16 C5OLO-S	ELBOW,90°,STRAIGHT THREAD TO ORFS	49829	DT-500-MOMF-5	VALVE,CHECK
48977	12-16 F5OLO-S	CONNECTOR,STRAIGHT THREAD TO ORFS	49831	881-12	HOSE,3/4 INCH ID
48978	12-16 V5OLO-S	ELBOW,45°,STRAIGHT THREAD TO ORFS	49834	16 JLO-S	UNION TEE,ORFS
48980	12-16 FLO-S	CONNECTOR,MALE PIPE TO ORFS	49838	12-8 TRLO-BL-S	REDUCER,TUBE END TO SWIVEL,ORFS
48983	16 C5OLO-S	ELBOW,90°,STRAIGHT THREAD TO ORFS	49840	8 JLO-S	UNION TEE,ORFS
48984	16 F5OLO-S	CONNECTOR,STRAIGHT THREAD TO ORFS	49844	10-8 TRLO-BL-S	REDUCER,TUBE END TO SWIVEL,ORFS
48985	16 V5OLO-S	ELBOW,45°,STRAIGHT THREAD TO ORFS	49854	8 P5ON-S	PLUG,STRAIGHT THREAD
48986	16 FLO-S	CONNECTOR,MALE PIPE TO ORFS	49855	1JC43-16-12	HOSE END,FEMALE SWIVEL,SEAL LOK
48988	16 CD45-S	ELBOW,45°,MALE TO FEMALE PIPE	49859	4 P5ON-S	PLUG,STRAIGHT THREAD
48989	12 CD45-S	ELBOW,45°,MALE TO FEMALE PIPE	49861	4 FF5OLO-S	CONNECTOR,LONG,STRAIGHT THREAD TO ORFS
48990	8 CD45-S	ELBOW,45°,MALE TO FEMALE PIPE	49867	12-3/4 F5OG-S	ADAPTER,FEMALE PIPE TO STRAIGHT THREAD
48991	16-12 FLO-S	CONNECTOR,MALE PIPE TO ORFS	51152	6 R6X-S	RUN TEE,SWIVEL NUT,ORFS
48992	16-12 V5OLO-S	ELBOW,45°,STRAIGHT THREAD TO ORFS	51153	6-4 TRTX-S	REDUCER,TUBE END TO SWIVEL,ORFS
48993	XV501-12	BALL VALVE	51154	4-4 GTX	CONNECTOR,FEMALE PIPE TO FLARE TUBE
48994	XV501-16	BALL VALVE	51264	881-12	HOSE,3/4 INCH ID
48995	XV510P-12	BALL VALVE	51265	8 JLO-S	UNION TEE,ORFS
48996	XV510P-16	BALL VALVE	51508	6 BTX-S	NUT,FLARE TUBE
48997	PD341	DIAGNOSTIC NIPPLE, STRAIGHT THREAD	51580	12-8 TRLO-BL-S	TUBE END REDUCER,ORFS
48998	PD 361	DIAGNOSTIC NIPPLE, STRAIGHT THREAD	51628	6 R6X-S	RUN TEE,SWIVEL NUT,ORFS
48999	DT-500-MOMS-5	VALVE,CHECK	51735	3/8 HHP	PLUG,PIPE THREAD
49201	10 V5OLO-S	ELBOW,45°,STRAIGHT THREAD TO ORFS	51803	1J943-6-8	HOSE END,90° FEMALE SWIVEL,SEAL LOK
49202	1JC43-12-10	HOSE END,FEMALE SWIVEL,SEAL LOK	53023	125HBL-5-4	FITTING,HOSE BARB TO MALE PIPE
49203	10-8 V5OLO-S	ELBOW,45°,STRAIGHT THREAD TO ORFS	53497	PKT02585	O-RING KIT
49205	6 F5OHAO-S	UNION,STRAIGHT THREAD	53499	1JC71-16-16	HOSE END,FEMALE SWIVEL,SEAL LOK
49207	PD34BTL	DIAGNOSTIC NIPPLE,SEAL-LOK SWIVEL	53500	3-904	O-RING,STRAIGHT THREAD,-4
49209	8M18F870MX-S	CONNECTOR,METRIC,STRAIGHT THREAD TO FLARE TUBE	53501	3-906	O-RING,STRAIGHT THREAD,-6
49212	8 WGTX-WLN-S	CONNECTOR,BULKHEAD,FEMALE PIPE TO FLARE TUBE	53502	3-908	O-RING,STRAIGHT THREAD,-8
49213	30682-8-8	HOSE END,FEMALE SWIVEL,JIC	53503	3-910	O-RING,STRAIGHT THREAD,-10
49216	831-8	HOSE,1/2 INCH ID			
49217	33982-8-8	HOSE END,90° FEMALE SWIVEL,JIC			
49219	PS-B-35	SLEEVE,NYLON,2.19" ID			
49418	4-6 V5OLO-S	ELBOW,45°,STRAIGHT THREAD TO ORFS			
49511	DT370-MOMS-5	VALVE,CHECK			
49512	1 DD-S	ELBOW,90°,FEMALE PIPE			
49513	1 FF-S	NIPPLE,PIPE			
49514	10 HP5ON-S	PLUG,STRAIGHT THREAD			
49515	12-16 CLO-S	ELBOW,90°,MALE PIPE TO ORFS			
49517	6 HP5ON-S	PLUG,STRAIGHT THREAD			
49519	16-12 F5OLO-S	CONNECTOR,STRAIGHT THREAD TO ORFS			
49520	4 VTX-S	ELBOW,45°,MALE PIPE TO FLARE TUBE			
49530	16 C6LO-S	ELBOW,90°,SWIVEL NUT ORFS			

Fitting Cross References (Continued)

Genie PN	Parker PN	Description	Genie PN	Parker PN	Description
53535	3-912	O-RING, STRAIGHT THREAD, -12	61083	24 F5OLO-S	CONNECTOR, STRAIGHT THREAD TO ORFS
53536	4-PNLO-S	PLUG, TUBE END, ORFS	61086	20 R5OLO-S	RUN TEE, STRAIGHT THREAD
53537	6 PNLO-S	PLUG, TUBE END, ORFS	61090	24-20 F5OLO-S	CONNECTOR, STRAIGHT THREAD TO ORFS
53538	8 PNLO-S	PLUG, TUBE END, ORFS	61091	1J943 24-24	HOSE END, 90° FEMALE SWIVEL, SEAL LOK
53539	10 PNLO-S	PLUG, TUBE END, ORFS	61093	1J978-12-12	HOSE END, 90° FEMALE SWIVEL, JIC
53540	12 PNLO-S	PLUG, TUBE END, ORFS	61095	1JS43-20-16	HOSE END, FEMALE SWIVEL, SEAL LOK
53946	129HB-5-4	FITTING, 90° HOSE BARB TO MALE PIPE	61100	811-24	HOSE, 1 1/2 INCH ID
53951	8-1/4F50G-S	ADAPTER, FEMALE PIPE TO STRAIGHT THREAD	61130	1JS43-24-24	HOSE END, FEMALE SWIVEL, SEAL LOK
53980	6 S6LO-S	BRANCH TEE, SWIVEL NUT TO ORFS	61131	1JS78 12-12	HOSE END, FEMALE SWIVEL, SEAL LOK
54132	4 C6LO-S	ELBOW, 90°, SWIVEL NUT ORFS	61132	1J778-12-12	HOSE END, 45° FEMALE SWIVEL, JIC
54135	11343-16-16	HOSE END, MALE SWIVEL, PIPE	61152	139HB-6-4	ELBOW, 45°, BARB TO MALE PIPE
54283	8-10 C5OLO-S	ELBOW, 90°, STRAIGHT THREAD TO ORFS	61251	BV-0750	BALL VALVE
54428	8M18C870MLO-S	ELBOW, 90° METRIC, STRAIGHT THREAD TO ORFS	61259	4 CC5OLO-S	ELBOW, 90° LONG, STRAIGHT THREAD TO ORFS
54803	FS-F-16-10	SLEEVE, FIRE, .96" ID	61260	20-12 TRLO-BL	REDUCER, TUBE END TO SWIVEL, ORFS
54954	10143-2-4	HOSE END, MALE PIPE	61262	12 C6LO-S	ELBOW, 90°, SWIVEL NUT ORFS
55190	3/8 HP-S	PLUG, PIPE THREAD	61263	20 F5OHAO-S	UNION, STRAIGHT THREAD
55448	8 HLO-S	UNION, ORFS	61264	6-10 C5OLO-S	ELBOW, 90°, STRAIGHT THREAD TO ORFS
55839	6 F65OX-S	CONNECTOR, STRAIGHT THREAD TO 37° SWIVEL	61265	6 WNLO-WLNL-S	UNION, BULKHEAD 45°, ORFS
55968	10 C5OX-S	ELBOW, 90°, STRAIGHT THREAD TO FLARE TUBE	61268	4 WNLO-WLNL-S	UNION, BULKHEAD 45°, ORFS
56003	6 CC5OLO-S	ELBOW, 90° LONG, STRAIGHT THREAD TO ORFS	61269	4 WLO-WLNL-S	UNION, BULKHEAD, ORFS
56166	BV-0837	BALL VALVE, 90°	61272	12 AOEL6	ELBOW, 90°, STRAIGHT THREAD TO ORFS SWIVEL
56188	10143-8-6	HOSE END, MALE PIPE	61316	482TC-16	HOSE, 1 INCH ID
56233	2-011	O-RING, ORFS, -4	61321	6 JLO-S	UNION TEE, ORFS
56234	2-012	O-RING, ORFS, -6	61327	782-12	HOSE, 3/4 INCH ID
56235	2-014	O-RING, ORFS, -8	61328	881-24	HOSE, 1 1/2 INCH ID
56236	2-016	O-RING, ORFS, -10	61336	11943-20-24	HOSE END, 90° FLANGE HEAD
56237	2-018	O-RING, ORFS, -12	61345	12 WJLO-WLNL-S	RUN TEE, BULKHEAD, ORFS
56238	2-021	O-RING, ORFS, -16	61346	8 WNLO-WLNL-S 4	UNION, BULKHEAD 45°, ORFS
56352	6 WLNL-S	LOCKNUT, BULKHEAD	61569	33782-8-8	HOSE END, 45° FEMALE SWIVEL, JIC
56353	3J782-12-12	HOSE END, 45° FEMALE SWIVEL, SEAL LOK	61610	12 FF5OLO-S	CONNECTOR, LONG, STRAIGHT THREAD TO ORFS
56354	3J982-12-12	HOSE END, 90° FEMALE SWIVEL, SEAL LOK	61742	1/8 X 1.5 FFF	NIPPLE, PIPE
56604	10-8 F5OLO-S	CONNECTOR, STRAIGHT THREAD TO ORFS	63426	8 PNTX-S	PLUG, FLARE TUBE
56639	3JC82-10-10	HOSE END, FEMALE SWIVEL, SEAL LOK			
56640	3J982-10-10	HOSE END, 90° FEMALE SWIVEL, SEAL LOK			
56655	3JC82-8-10	HOSE END, FEMALE SWIVEL, SEAL LOK			
56676	10-8 C5OLO-S	ELBOW, 90°, STRAIGHT THREAD TO ORFS			
56776	471TC-6	HOSE, 3/8 INCH ID			
56777	471TC-8	HOSE, 1/2 INCH ID			
56789	811-16	HOSE, 1 INCH ID			
57884	3/8 FF	NIPPLE, PIPE			
59335	6 FNL-S	CAP, TUBE END			
59342	4 FNL-S	CAP, TUBE END			
59371	8 HP5ON-S	PLUG, STRAIGHT THREAD			
60653	BV-0751	BALL VALVE			
60806	125HB-3-4	FITTING, HOSE BARB TO MALE PIPE			
61064	5-1/4 F50G-S	ADAPTER, FEMALE PIPE TO STRAIGHT THREAD			
61079	4 WELO-WLNL-S	UNION, 90° BULKHEAD W/NUT, ORFS			
61080	6 WLO-WLNL-S	UNION, BULKHEAD, ORFS			

Fitting Cross References (Continued)

Genie PN	Parker PN	Description	Genie PN	Parker PN	Description
64271	4 WLO-WLNL-S	UNION,BULKHEAD,ORFS	75631	801-6	HOSE,3/8 INCH ID
64272	6 WLO-WLNL-S	UNION,BULKHEAD,ORFS	75654	20 F5OLO-S	CONNECTOR,STRAIGHT THREAD TO ORFS
65776	8 F65OL-S	CONNECTOR,STRAIGHT THREAD TO ORFS SWIVEL	75655	1J943-20-20	HOSE END,90° FEMALE SWIVEL,SEAL LOK
65880	6001012	O-RING KIT	75656	881-20	HOSE,1-1/4 INCH ID
66154	6 WTX-WLNS	UNION,BULKHEAD,FLARE TUBE	75971	8 F5OHAO-S	UNION,STRAIGHT THREAD
66155	6 WETX-S	UNION,BULKHEAD 90°,FLARE TUBE	77307	1JB43-8-8	HOSE END,BULKHEAD,SEAL LOK
66156	6 WLN-S	BULKHEAD LOCKNUT	77309	8 WLNL-S	BULKHEAD LOCKNUT
66389	6-8 F5OX-S	CONNECTOR,STRAIGHT THREAD TO FLARE TUBE	77379	8M18C87OMX-S	ELBOW,90° METRIC,STRAIGHT THREAD TO FLARE TUBE
66392	6 R5OX-S	RUN TEE,STRAIGHT THREAD	77703	3J982-8-8	HOSE END,90° FEMALE SWIVEL,SEAL LOK
66396	811-12	HOSE,3/4 INCH ID	77711	801-10	HOSE,5/8 INCH ID
66829	H3174PP	CLAMP,TUBE	77758	12 WNLO-WLNL-S	UNION,BULKHEAD 45°,ORFS
67217	4 KLO-S	UNION,CROSS,ORFS	78091	6 C6X-S	ELBOW,90°,SWIVEL NUT TO FLARE TUBE
67339	10-6 F5OX-S	CONNECTOR,STRAIGHT THREAD TO FLARE TUBE	78684	30582-8-8B	HOSE END,PUSH LOK,MALE
67357	13943-8-6	HOSE END,90° FEMALE SWIVEL,JIC	78852	549-2	HOSE,1/8 INCH ID
67358	10 HP5ON-S	PLUG,STRAIGHT THREAD	78855	10657-4-2	HOSE END,FEMALE SWIVEL,JIC
67371	12 S6LO-S	BRANCH TEE,SWIVEL NUT TO ORFS	79138	PS-B-37	SLEEVE,NYLON,2.38" ID
67498	4 FNL-S	CAP, TUBE END	79476	1JS43-6-8	HOSE END,FEMALE SWIVEL,SEAL LOK
67906	DC-370-F0F0-5	VALVE,CHECK	79847	12-3/4 A0EG-S	ELBOW,90°,STRAIGHT THREAD TO FEMALE PIPE
69316	8 FLO-S	CONNECTOR,MALE PIPE TO ORFS	80044	8 CLO-S	ELBOW,90°,MALE PIPE TO ORFS
69333	H3174PP	CLAMP,HYDRAULIC HOSE	80502	8 F5OX-S	CONNECTOR,STRAIGHT THREAD TO FLARE TUBE
69503	4 F65OX-S	CONNECTOR,STRAIGHT THREAD TO 37° SWIVEL	80503	8 C5OX-S	ELBOW,90°,STRAIGHT THREAD TO FLARE TUBE
69775	8 FNL-S	CAP, TUBE END	81010	AS-B-27	SLEEVE,NYLON,1.63" ID
71038	1/4X1/4F3HG-S	ADAPTER,CONVERSION	83052	821-6	HOSE,3/8 INCH ID
71196	12-8 F5OLO-S	CONNECTOR,STRAIGHT THREAD TO ORFS	83053	821-8	HOSE,1/2 INCH ID
71383	1/4 CD45-S	ELBOW,45°,MALE TO FEMALE PIPE	83054	821-12	HOSE,3/4 INCH ID
72270	12FNL-S	CAP, TUBE END	83055	30682-6-6	HOSE END,FEMALE SWIVEL,JIC
73436	60C-4	SLEEVE,COMPRESSION	83056	30682-12-12	HOSE END,FEMALE SWIVEL,JIC
73437	61C-4	NUT,COMPRESSION	83057	33782-6-6	HOSE END,45° FEMALE SWIVEL,JIC
73438	33482-4-4B	HOSE END,PUSH LOK,MALE	83058	33982-6-6	HOSE END,90° FEMALE SWIVEL,JIC
73767	1CD-S	ELBOW,90°,MALE TO FEMALE PIPE	83060	33982-12-12	HOSE END,90° FEMALE SWIVEL,JIC
73768	20-16-F5OG5-S	ADAPTER,FEMALE PIPE TO STRAIGHT THREAD	83063	13743-4-4	HOSE END,45° FEMALE SWIVEL,JIC
73769	16-20 F5OLO-S	CONNECTOR,STRAIGHT THREAD TO ORFS			
74660	6-8 F42EDMLO-S	CONNECTOR,MALE BSPP TO ORFS			
74661	8-8 F42EDMLO-S	CONNECTOR,MALE BSPP TO ORFS			
75007	4 FLO-S	CONNECTOR,MALE PIPE TO ORFS			
75008	1/8 HP-S	PLUG,PIPE THREAD			
75014	1/2 HP-S	PLUG,PIPE THREAD			
75042	8 WELO-WLNL-S	UNION,90° BULKHEAD W/NUT,ORFS			
75043	3/4 FF-S	NIPPLE,PIPE			
75254	24 F5OHAO-S	UNION,STRAIGHT THREAD			
75255	12 F5OHAO-S	UNION,STRAIGHT THREAD			
75256	XV506P-24	BALL VALVE			
75574	4 WLNL-S	BULKHEAD LOCKNUT			
75612	8 WJLO-WLNL-S	RUN TEE, BULKHEAD,ORFS			
75613	12-8 F5OG5-S	ADAPTER,FEMALE PIPE TO STRAIGHT THREAD			
75614	8 CC5OLO-S	ELBOW,90° LONG,STRAIGHT THREAD TO ORFS			
75628	1JB43-4-4	HOSE END,BULKHEAD,SEAL LOK			

Fitting Cross References (Continued)

Genie PN	Parker PN	Description	Genie PN	Parker PN	Description
83064	13743-8-8	HOSE END,45° FEMALE SWIVEL,JIC	89449	6 WJLO-WLNL-S	RUN TEE, BULKHEAD,ORFS
83065	13743-12-12	HOSE END,45° FEMALE SWIVEL,JIC	89489	4 WJMLO-S	BRANCH TEE,BULKHEAD,ORFS
83066	13943-8-8	HOSE END,90° FEMALE SWIVEL,JIC	89551	1JB43-6-6	HOSE END,BULKHEAD,SEAL LOK
83067	14143-6-6	HOSE END,90° FEMALE SWIVEL,JIC	89552	1JB43-8-8	HOSE END,BULKHEAD,SEAL LOK
83068	14143-8-8	HOSE END,90° FEMALE SWIVEL,JIC	89593	20 C5OLO-S	ELBOW,90°,STRAIGHT THREAD TO ORFS
83069	14143-12-12	HOSE END,90° FEMALE SWIVEL,JIC	94161	8-8 CLO-S	ELBOW,90°,MALE PIPE TO ORFS
83070	772-8	HOSE,1/2 INCH ID	94358	351TC-12	HOSE,3/4 INCH ID
83071	10671-8-8	HOSE END,FEMALE SWIVEL,JIC	94418	20 FLO-S	CONNECTOR,MALE PIPE TO ORFS
83072	10671-12-12	HOSE END,FEMALE SWIVEL,JIC	96358	12 TX-S	SLEEVE,FLARE TUBE
83073	13771-8-8	HOSE END,45° FEMALE SWIVEL,JIC	96359	12 BTX-S	NUT,FLARE TUBE
83074	13771-12-12	HOSE END,45° FEMALE SWIVEL,JIC	96397	8 F5OX-S	CONNECTOR,STRAIGHT THREAD TO FLARE TUBE
83075	13971-8-8	HOSE END,90° FEMALE SWIVEL,JIC	96398	12-8 F5OX-S	CONNECTOR,STRAIGHT THREAD TO FLARE TUBE
83076	13971-12-12	HOSE END,90° FEMALE SWIVEL,JIC	96402	10343-6-6	HOSE END,MALE,JIC
83077	14171-8-8	HOSE END,90° FEMALE SWIVEL,JIC	96407	30382-6-6B	HOSE END,MALE,JIC
83078	14171-12-12	HOSE END,90° FEMALE SWIVEL,JIC			
83080	13943-16-16	HOSE END,90° FEMALE SWIVEL,JIC			
83103	10671-16-12	HOSE END,FEMALE SWIVEL,JIC			
83104	10671-10-12	HOSE END,FEMALE SWIVEL,JIC			
83112	1JC71-8-8	HOSE END,FEMALE SWIVEL,SEAL LOK			
83113	1JS71-16-12	HOSE END,FEMALE SWIVEL,SEAL LOK			
83114	1JS71-10-12	HOSE END,FEMALE SWIVEL,SEAL LOK			
83115	1J971-8-8	HOSE END,90° FEMALE SWIVEL,SEAL LOK			
83116	1J171-8-8	HOSE END,90° FEMALE SWIVEL,SEAL LOK			
83117	1J771-8-8	HOSE END,45° FEMALE SWIVEL,SEAL LOK			
83127	1J543-6-8	HOSE END,90° FEMALE SWIVEL,JIC			
83128	1JC43-6-8	HOSE END,FEMALE SWIVEL,SEAL LOK			
87033	12-6 TRLO-S	REDUCER,TUBE END TO SWIVEL,ORFS			
87034	3J782-8-8	HOSE END,45° FEMALE SWIVEL,SEAL LOK			
87172	12 HP5ON-S	PLUG,STRAIGHT THREAD			
87185	8 WNLO-WLNL-S	UNION,BULKHEAD 45°,ORFS			
87246	4 C6X-S	ELBOW,90°,SWIVEL NUT TO FLARE TUBE			
87679	6 LHP-S	FLANGE SEAL FITTING, MALE			
87681	6PLS N0702	BONDED SEAL			
88100	SR88100	ADAPTER,OIL DRAIN,GM 3.0L			
88311	1JS43-20-20	HOSE END,FEMALE SWIVEL,SEAL LOK			
88353	20 V5OLO-S	ELBOW,45°,STRAIGHT THREAD TO ORFS			
88474	10081-20	Crimp Shell, 1.25"			
88475	1988-20-24	HOSE END,90° FLANGE HEAD			
88476	JS88-24-24	HOSE END,FEMALE SWIVEL,SEAL LOK			
88477	1JC88-20-20	HOSE END,FEMALE SWIVEL,SEAL LOK			
88478	811-20	HOSE,11/4 INCH ID			
88936	20-16 F5OLO-S	CONNECTOR,STRAIGHT THREAD TO ORFS			
88937	20-16 FLO-S	CONNECTOR,MALE PIPE TO ORFS			
88938	1JC88-16-16	HOSE END,FEMALE SWIVEL,SEAL LOK			
88939	1J988-16-16	HOSE END,90° FEMALE SWIVEL,ORFS			
88940	811-16	HOSE,1 INCH ID			
88944	1J988-20-20	HOSE END,90° FEMALE SWIVEL,ORFS			
89403	16 VLO-S	ELBOW,45°,MALE PIPE TO ORFS			

California Proposition 65

Warning

The exhaust from this product contains chemicals known to the State of California to cause cancer, birth defects or other reproductive harm.

Genie North America

Phone 425.881.1800
Toll Free USA and Canada
800.536.1800
Fax 425.883.3475

Genie Australia Pty Ltd.

Phone +61 7 3375 1660
Fax +61 7 3375 1002

Genie China

Phone +86 21 53852570
Fax +86 21 53852569

Genie Malaysia

Phone +65 98 480 775
Fax +65 67 533 544

Genie Japan

Phone +81 3 3453 6082
Fax +81 3 3453 6083

Genie Korea

Phone +82 25 587 267
Fax +82 25 583 910

Genie Brasil

Phone +55 11 41 665 755
Fax +55 11 41 665 754

Genie Holland

Phone +31 183 581 102
Fax +31 183 581 566

Genie Scandinavia

Phone +46 31 575100
Fax +46 31 579020

Genie France

Phone +33 (0)2 37 26 09 99
Fax +33 (0)2 37 26 09 98

Genie Iberica

Phone +34 93 579 5042
Fax +34 93 579 5059

Genie Germany

Phone +49 (0)4202 88520
Fax +49 (0)4202 8852-20

Genie U.K.

Phone +44 (0)1476 584333
Fax +44 (0)1476 584334

Genie Mexico City

Phone +52 55 5666 5242
Fax +52 55 5666 3241

Distributed By:

Parts Manual

S-60, S-65

from SN 653 to 2574

Part No.
34477

Rev C23

Genie
A TEREX BRAND